

08/2008

SPARE PARTS

In English



PALAX Power 100S

s:n 130-

Terästäkomo Oy
Lahdentie 9
61400 Ylistaro, FINLAND
Tel. +358 6 4745100
Fax. +358 6 4740790
www.palax.fi

FIN Tilausohje

Etsi kuva jossa haluamasi osa on.

Katso kuvasta osan numero.

Katso osaluettelosta kuvanumeron ja osanumeron avulla tilausnumero.

Tilauksessa mainittava aina tilausnumero, osan nimi, koneen sarjanumero ja valmistusvuosi.

GB Ordering guide

Seek the right picture.

See the part number.

Look, by using the picture- and partnumber for the right orderingnumber of the sparepart from the spareparts list.

When ordering always mention the sparepart number, partname, serialnumber and manufacturing year.

SWE Beställningsåd

Sök bilden där den önskade delen finns.

Se delnumret.

Sök med hjälp av bild- och delnummer reservdelnumret i reservdelförteckningen.

Vid beställning bör alltid uppges: reservdelnummer, delens benämning, serienummer och tillverkningår.

NOR Bestillingsveiviser

Søk etter bildet der den ønskede delen er.

Se delnummeret.

Søk ved hjelp av bilde- og delnummeret etter reservedelsnummeret i reservedelsfortegnelsen.

Ved bestilling bør reservedelsnummer, delens navn, serienummer og produksjonsår alltid oppgis.

DE Bestellaungsanweisung

Das Bild mit dem gesuchten Teil finden.

Die richtige Teilnummer finden.

Der richtige Bestellungscode mit Hilfe der Bildnummer und Teilnummer finden.

Bei Bestellung sollen die Bestellungsnummer, die Beschreibung des Teils, die Serienummer und das Baujahr angegeben werden.

RUS Инструкция по оформлению заказа

Найти рисунок, на котором показана желаемая деталь.

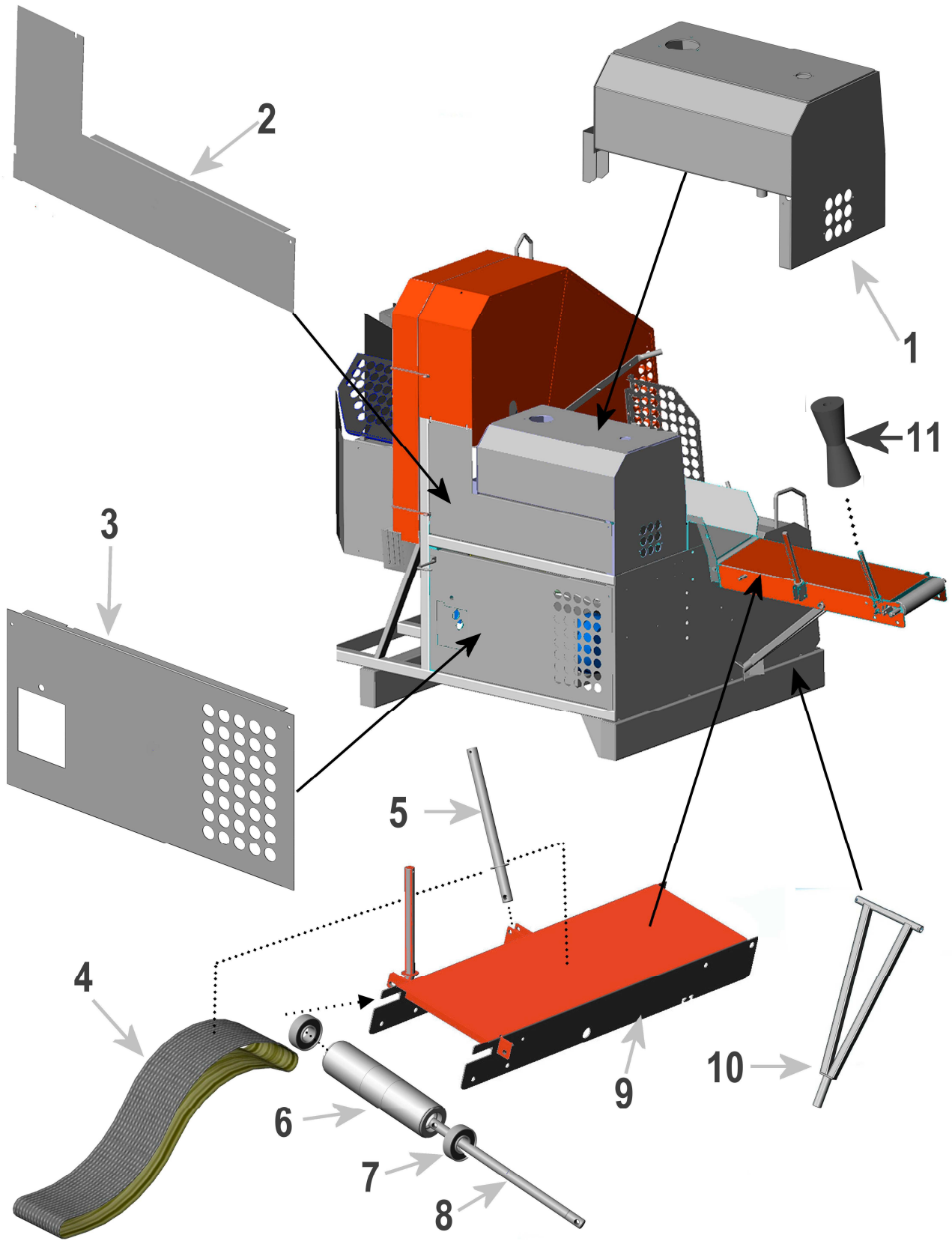
На рисунке найти номер детали.

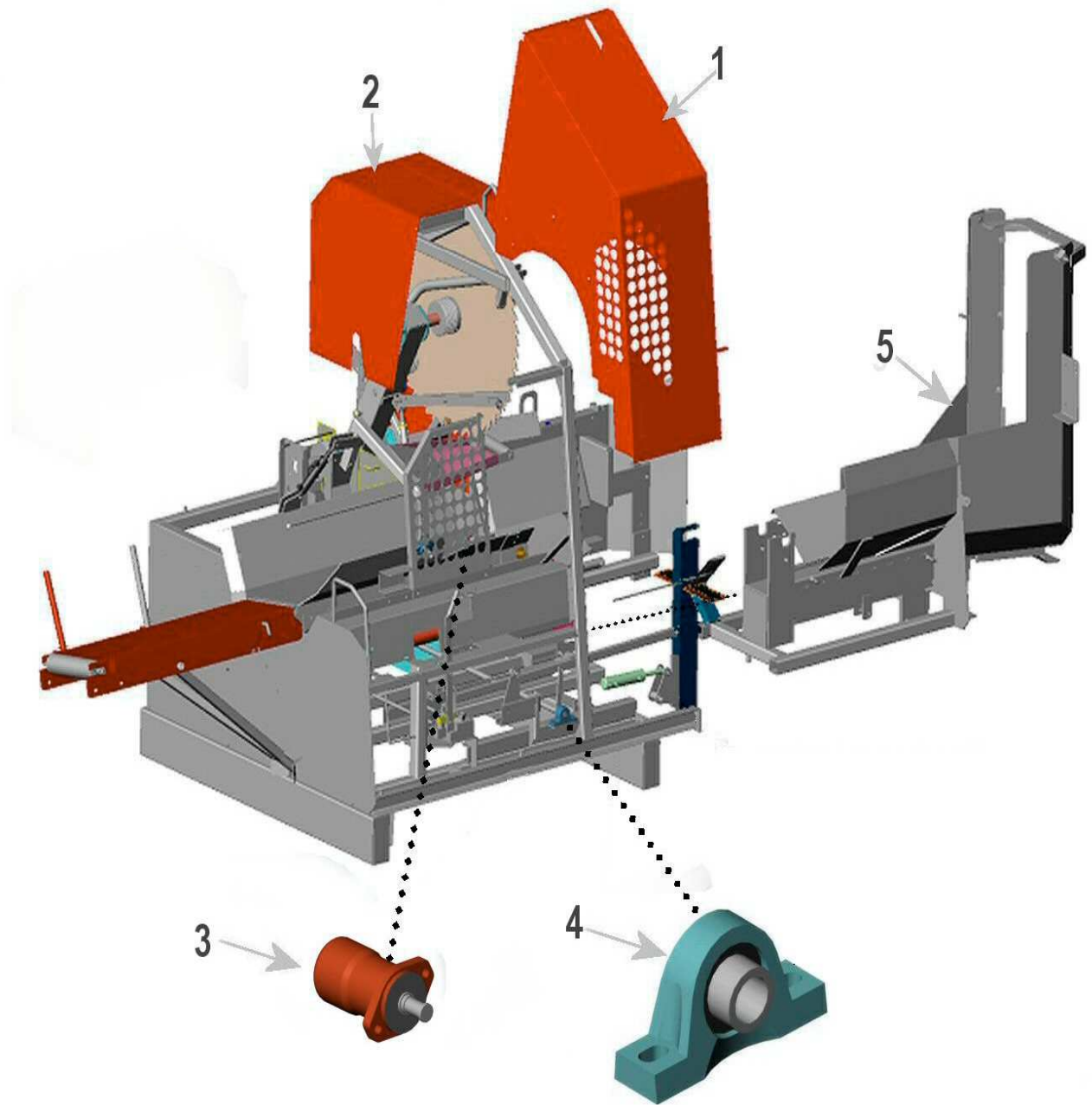
С помощью номера рисунка и номера детали найти в каталоге запчастей номер заказа.

В заказе указать всегда номер заказа, название детали, серийный номер и год выпуска машины.

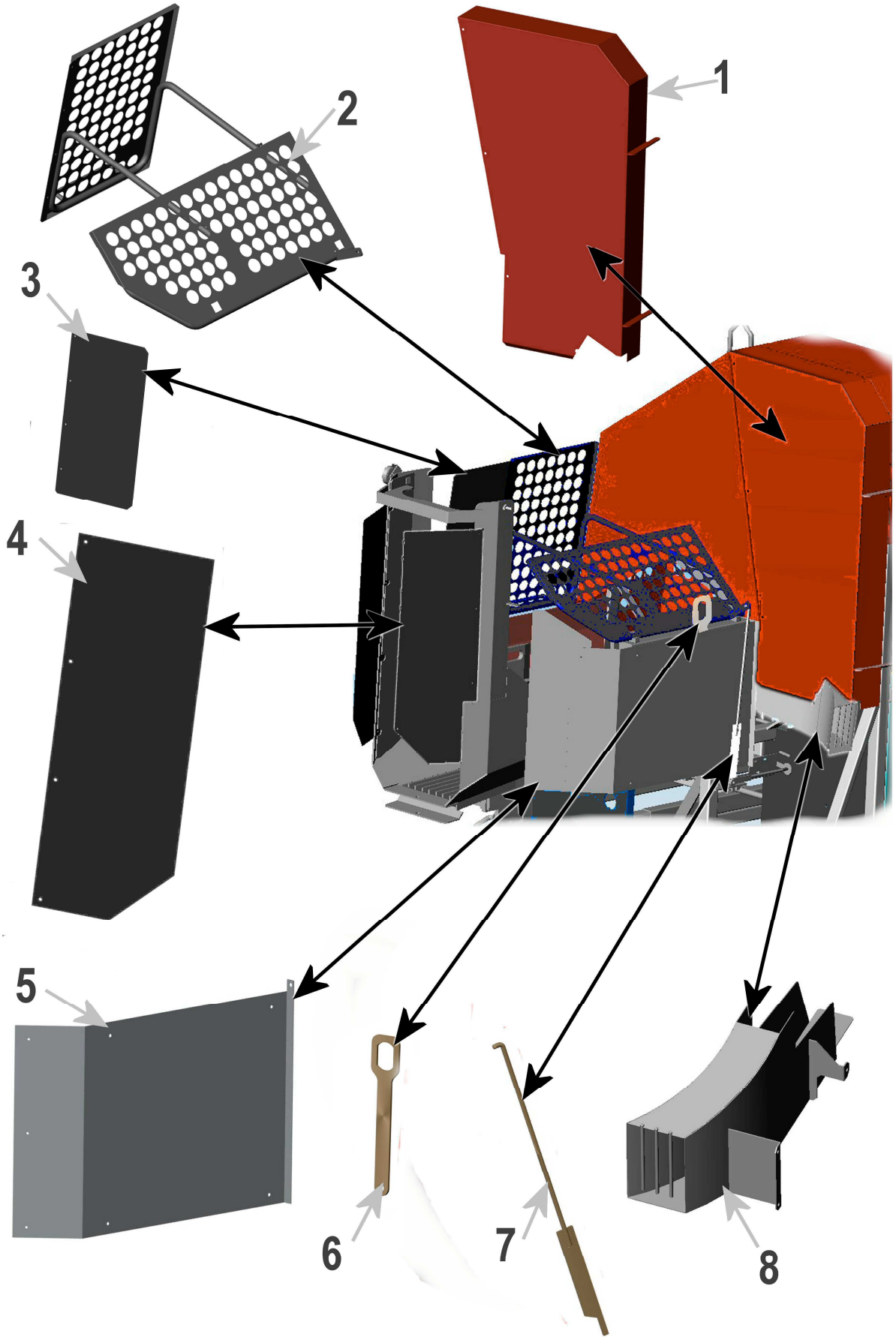


1

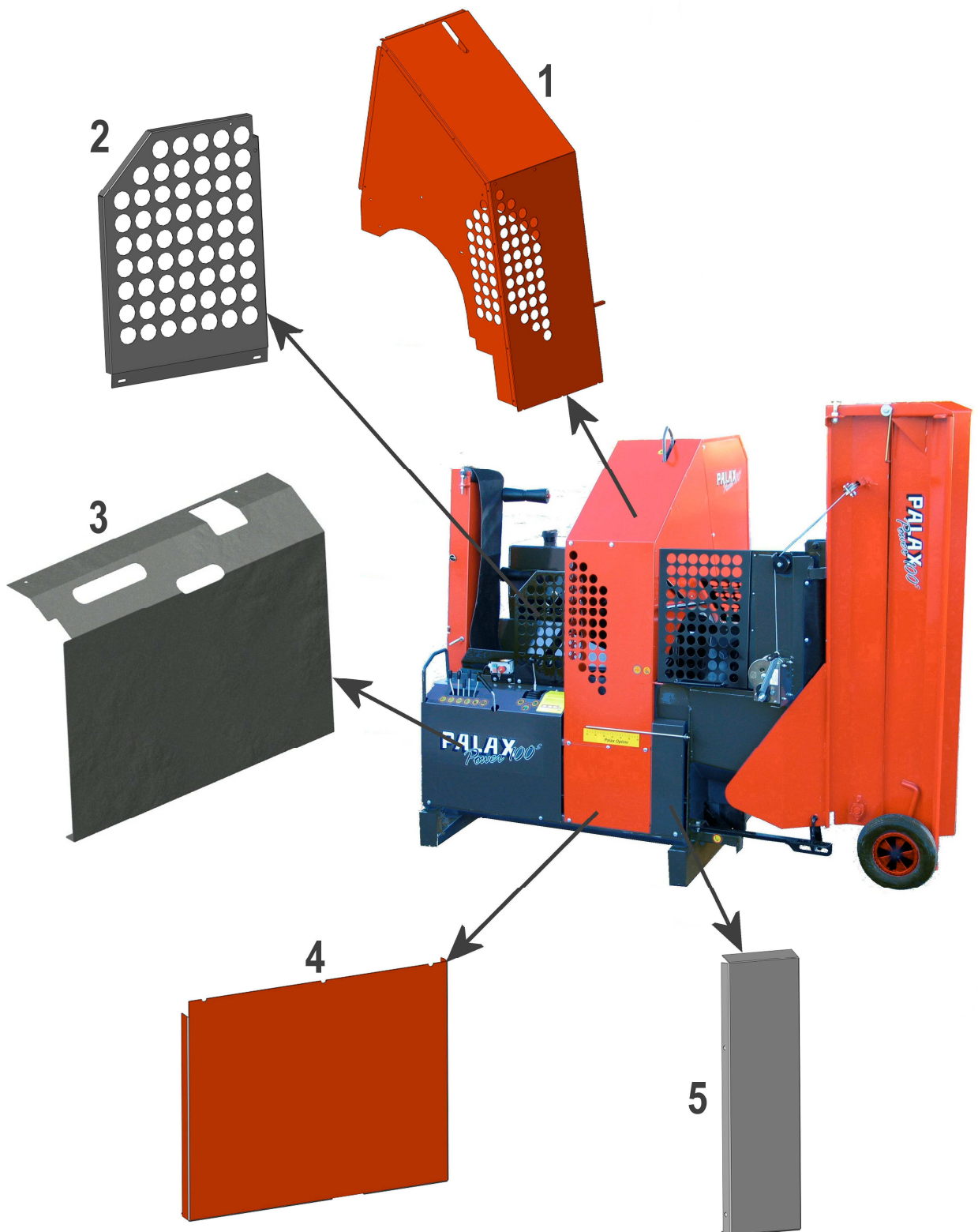




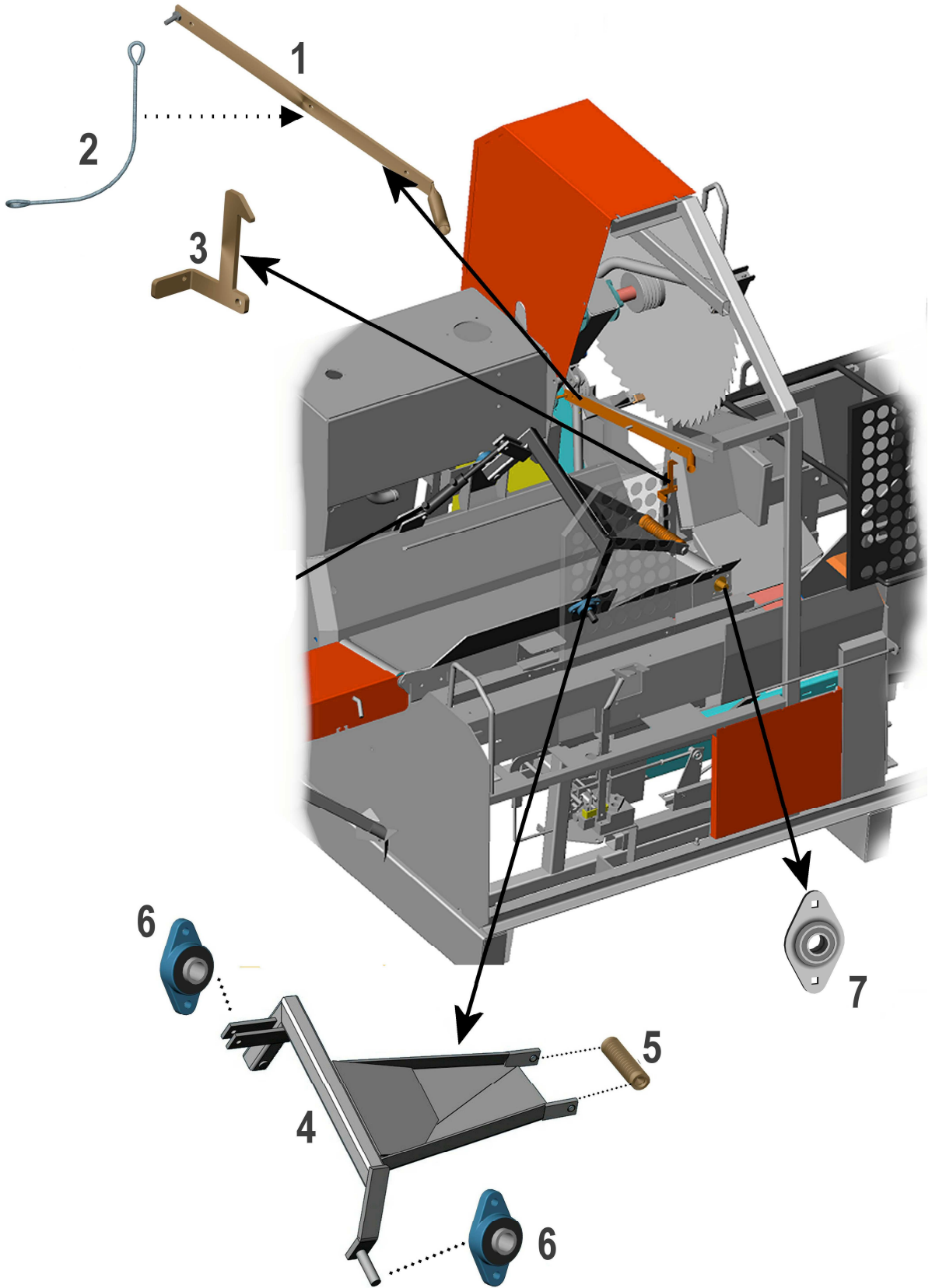
3



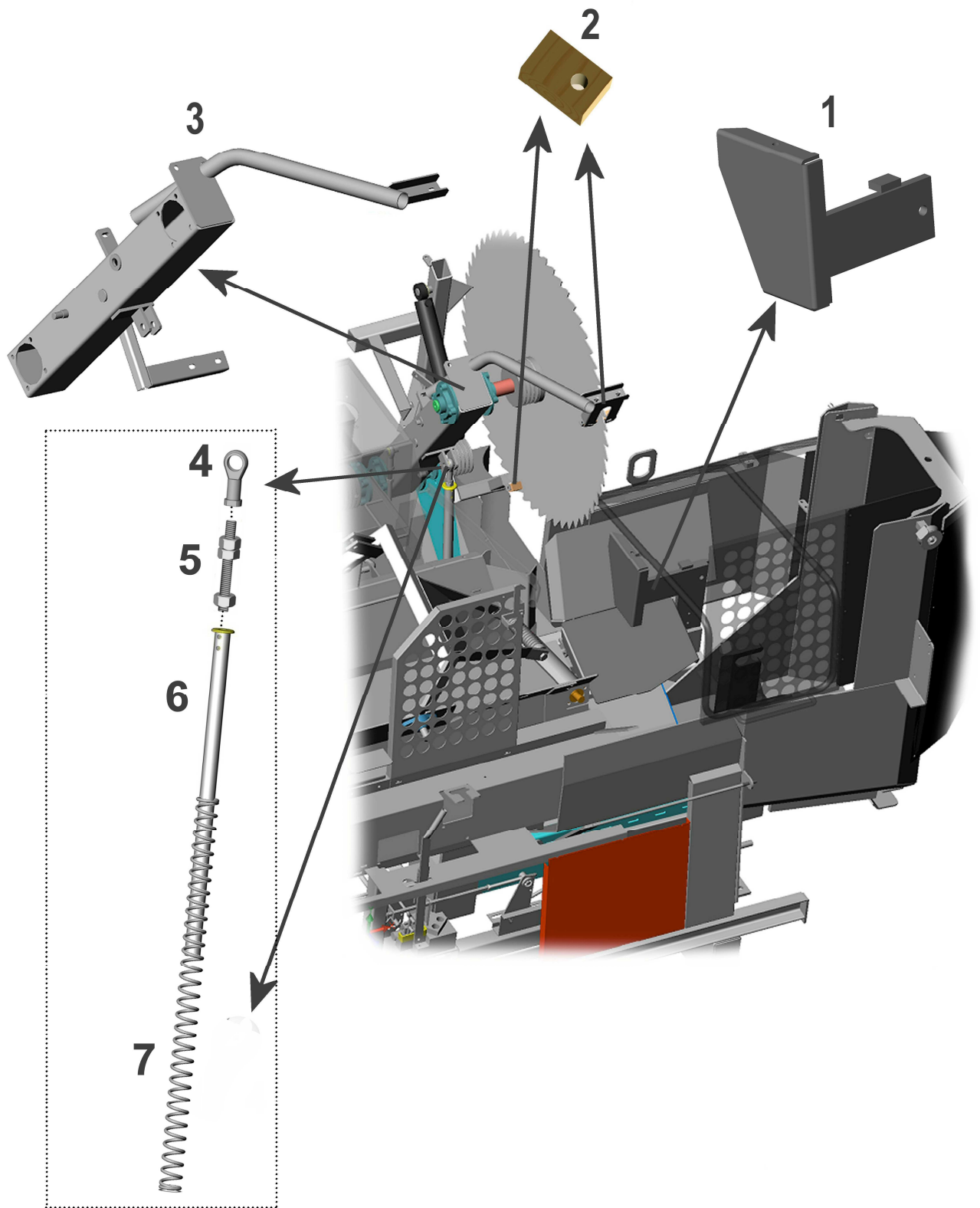
4



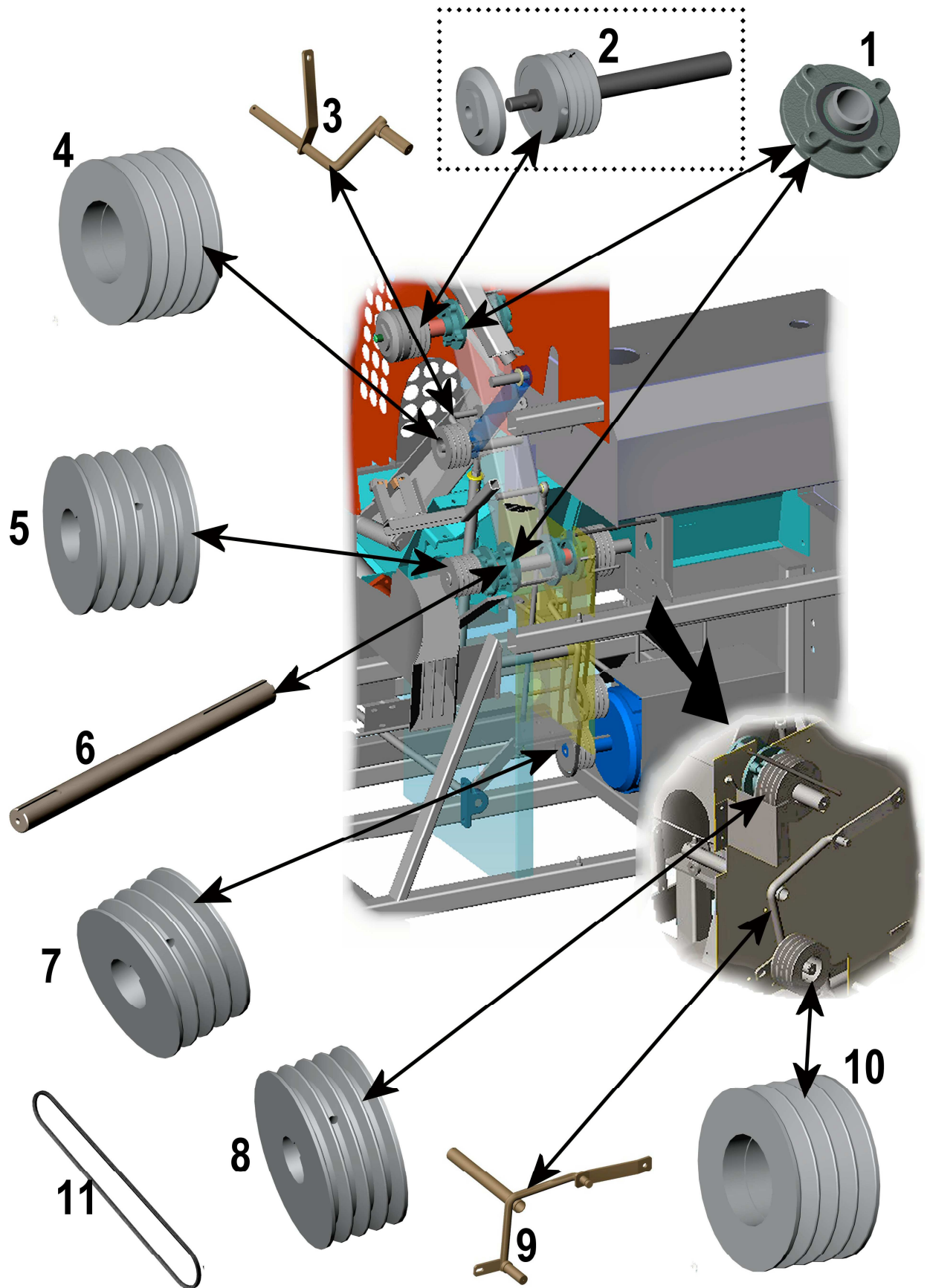
5

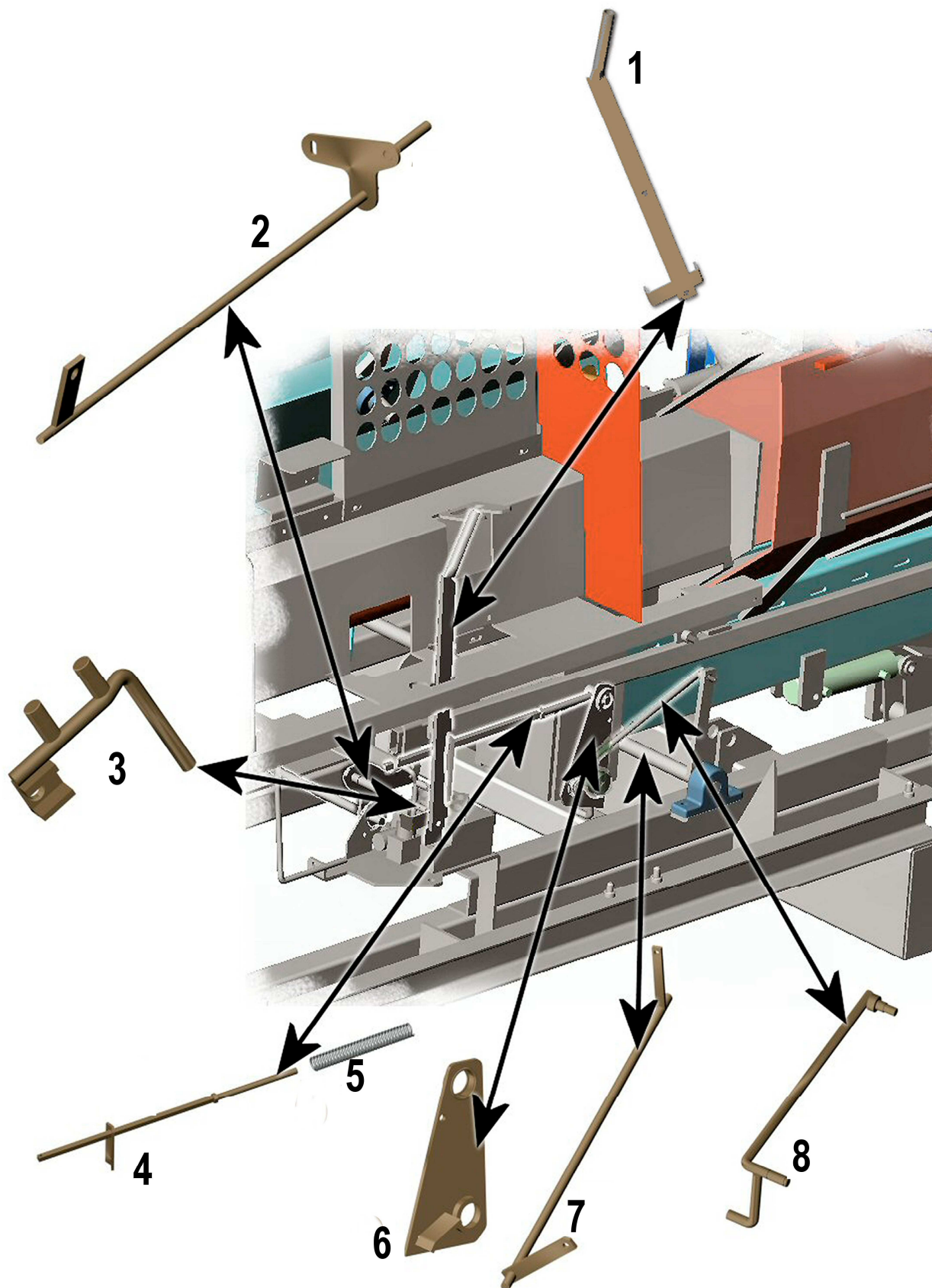


6

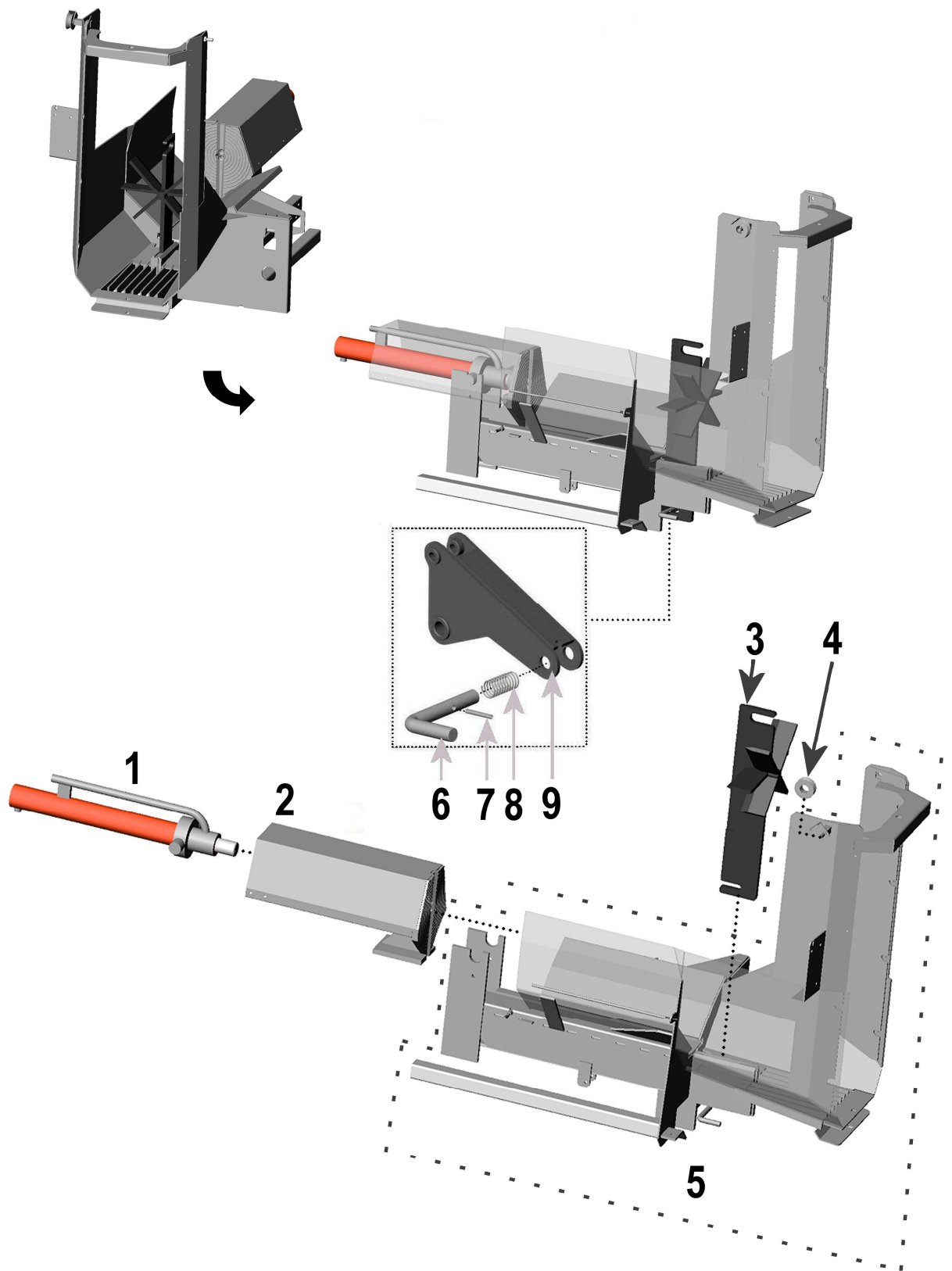


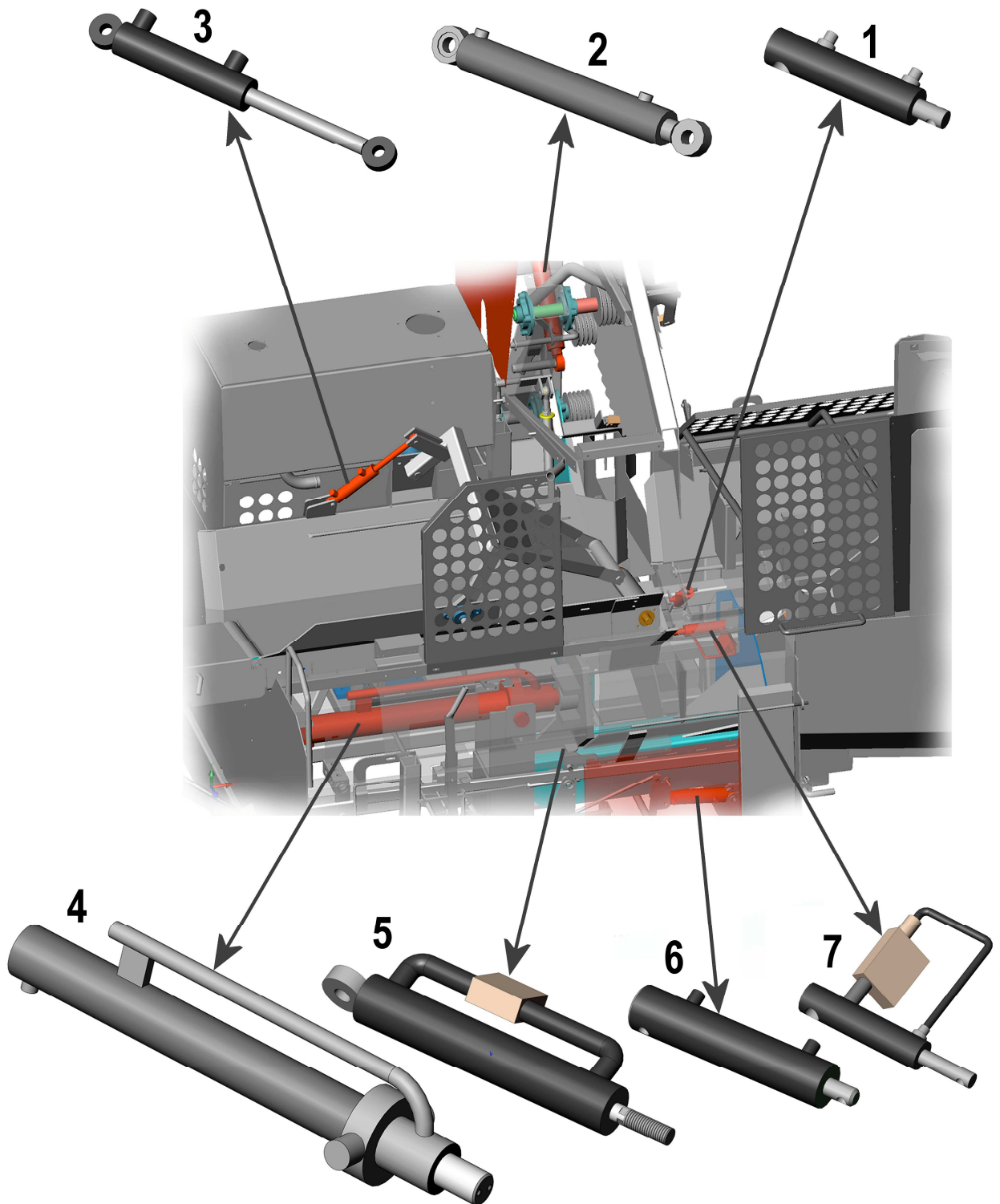
7

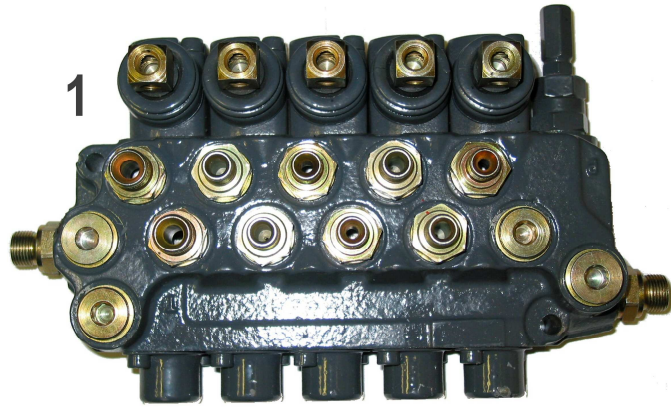




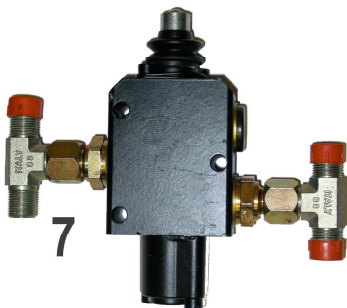
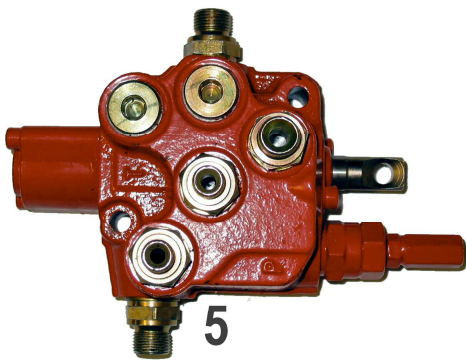
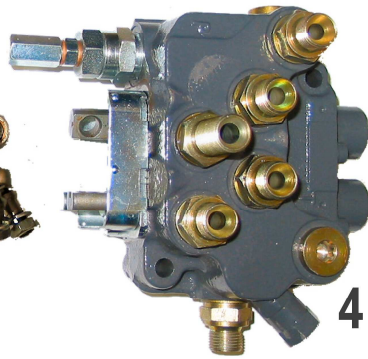
9



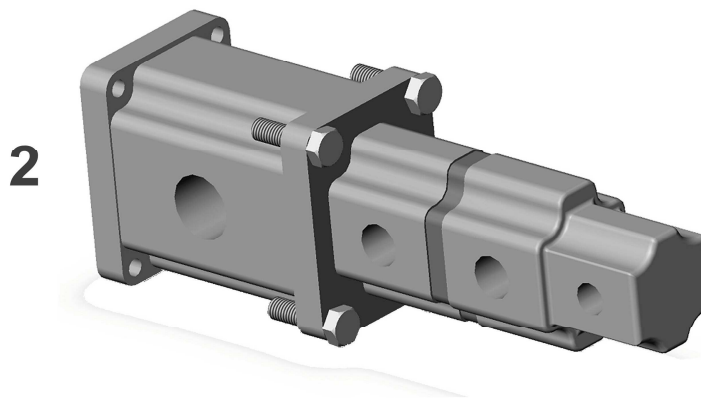
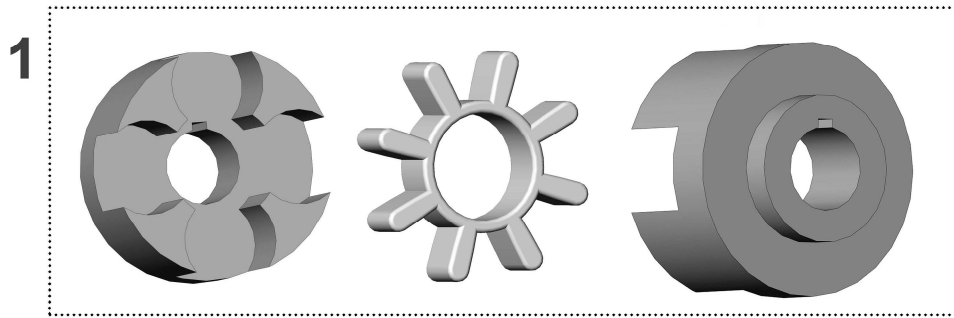




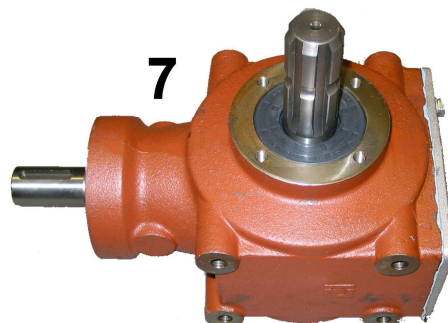
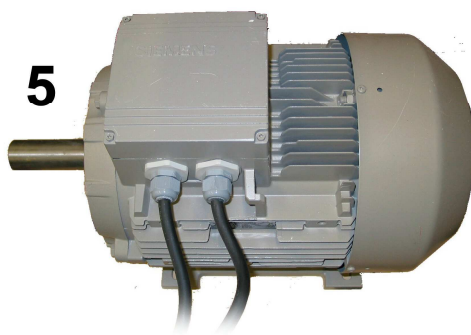
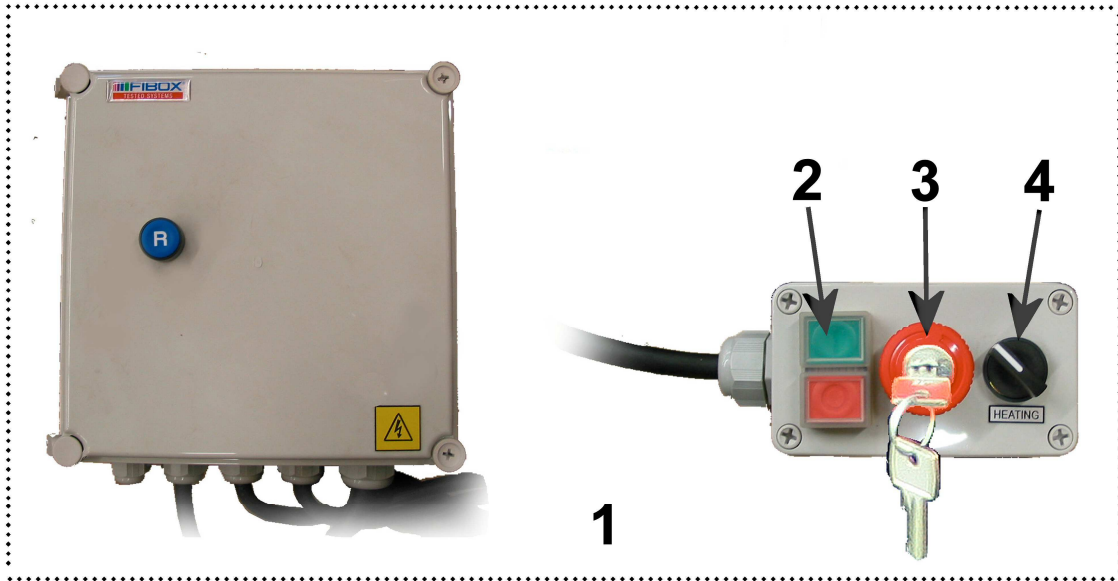
DO6DE2BACCX080001

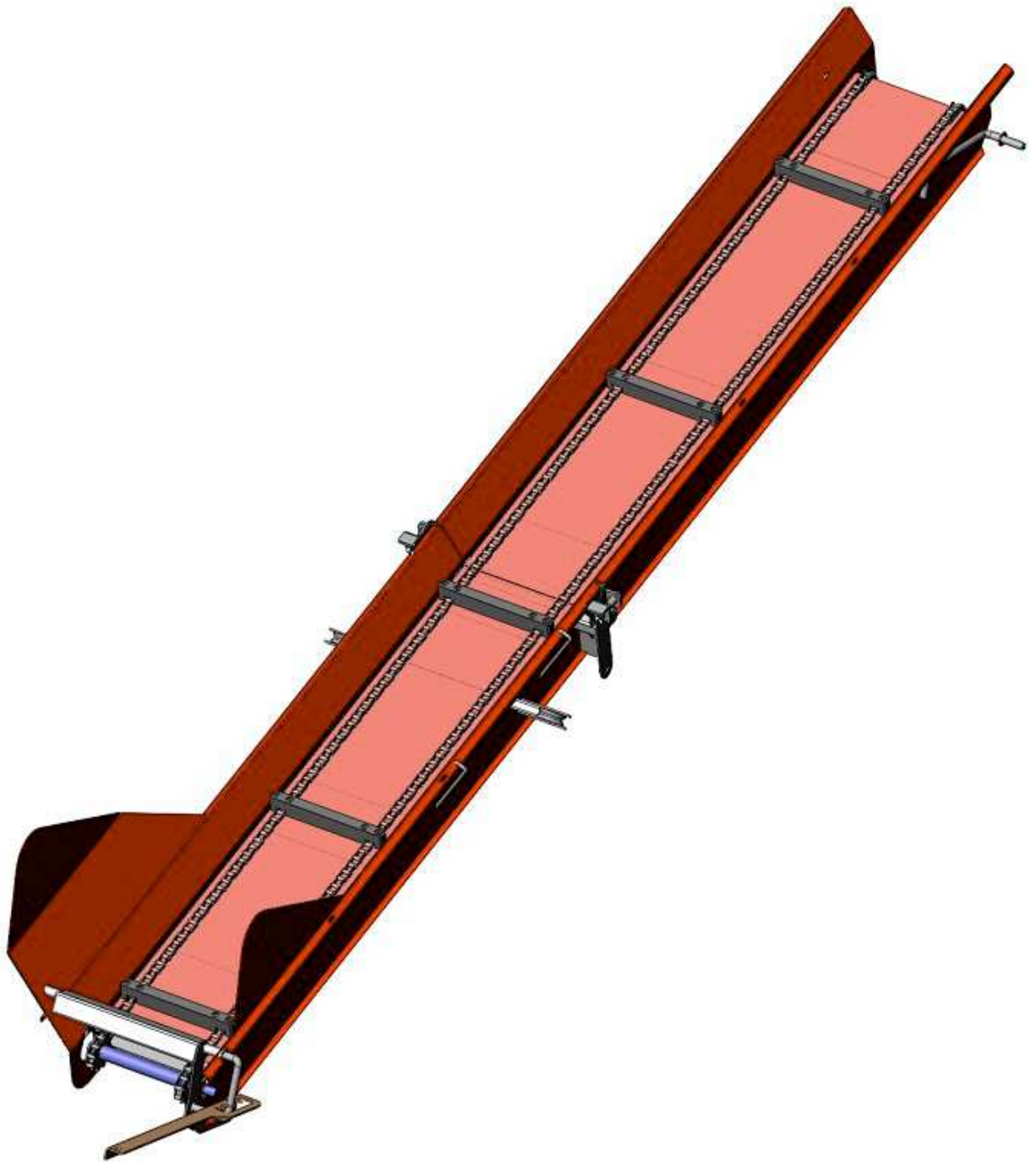


12

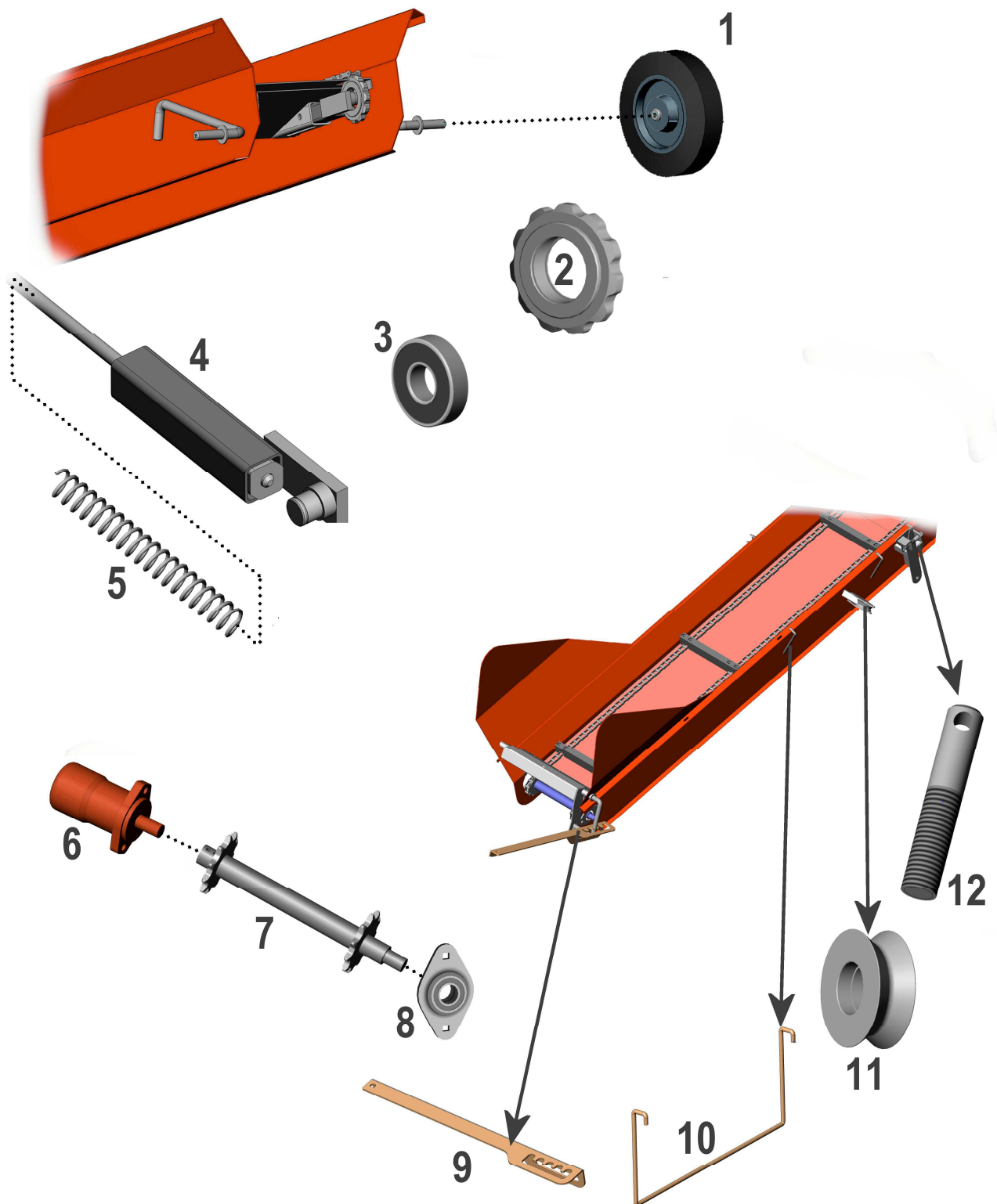


13

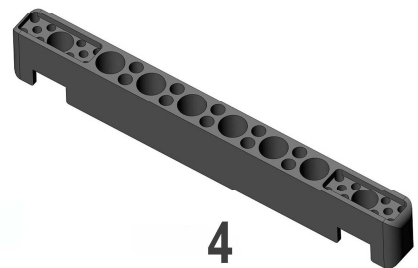
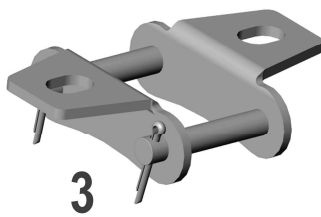
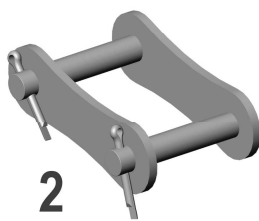
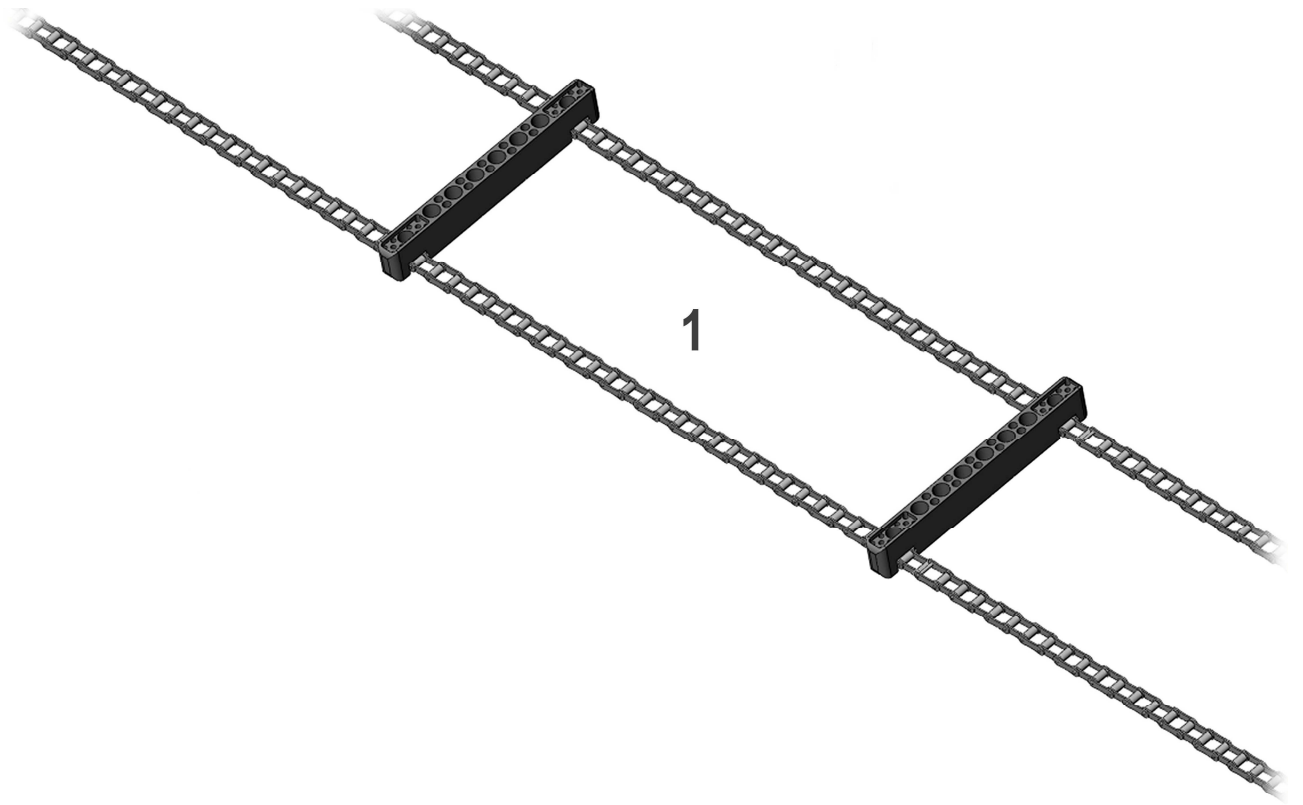




15



16



PALAX POWER 100S

Pict.	Part	New Code	Old Code	Name
1	1	11302	10020002	Oil reservoir
1	1a	11540	ELFP7F10W1.0	Breather on the oil reservoir
1	2	11497	L10086010	Rear plate, upper
1	3	11496	L10043010	Rear plate
1	4	13630	YO330EP200/2-3/0	Belt, in-feed conveyor
1	5	13631	10076001	Roller shaft
1	6	11252	10019001	Extension table roller
1	7	13632	6304.2RS	Bearing 6304
1	8	11240	K10023010	Roller shaft
1	9	11238	L10004010	In-feed table extension
1	10	11245	1002001	Extension table leg
1	11	13633	OVX009143A	Keel roller
2	1	11475	10030001	Blade housing
2	2	11485	10070001	Rear housing
2	3	13634	OHOMP100/OHOMP125	Gerotor OMP100/125
2	4	13635	OLUCP205	Bearing
2	5	10969	10029001	Splitting frame
3	1	11498	10039001	Door
3	2	11448	10005001	Protective net
3	3	13636	L10085010	Extension, front net
3	4	13638	L10008010	Extension, trough
3	5	11492	L10047010	Rear cover
3	6	13639	L10034010	Blade nut wrench
3	7	11463	10083001	Wedge for net
3	8	11510	10026001	Sawdust trough
4	1	11475	10030001	Blade housing
4	2	11457	L10091010	Front cover
4	3	11493	L10045010	Front plate, left
4	4	11494	L10078010	Centre cover
4	5	11495	L10079010	Front plate, right
5	1	13640	100101001	Stop lever
5	2	13641	OVA725	Wire
5	3	13642	L100100010	Lock
5	4	11316	10015001	Clamp
5	5	11318	K10012010	Clamp roller
5	6	13643	OLUCF205	Bearing
5	7	13644	BPFL205	Bearing, plate housing d25
6	1	13645	10006002	Log-stop
6	2	11125	K10026010	Guide
6	2	11125	K10026010	Guide
6	3	11110	10009001	Blade beam, total
6	4	11446	JAF16	Joint end
6	5	13646	ORM16130	Thread rod
6	6	11352	10066001	Spring guide
6	7	15593	OJP	Spring
7	1	11521	UCFC208	Bearing
7	2	11129	100100010	Blade shaft
7	3	11339	10016001	Tightener
7	4	11572	O10054010	Drive belt pulley

Pict.	Part	New Code	Old Code	Name
7	5	13647	O10058010	Drive belt pulley
7	6	11146	K10011010	Main shaft
7	7	13648	O10055010	Drive belt pulley
7	8	13649	O10056010	Drive belt pulley
7	9	11435	10080001	Tightener
7	10	11572	O10054010	Drive belt pulley
7	11	11570	OVSPA1757	Drive belt, el. Motor/Angular gear
7	11	13650	OVSPA1800	Drive belt, blade beam
8	1	11407	10060001	Launch lever
8	2	11415	10042001	Turn lever
8	3	11359	10044001	Valve lever
8	4	11393	10053001	Launch rod
8	5	10716	OJP2520130	Launch spring
8	6	11384	10049001	Launch plate
8	7	11364	10041001	Shaft
8	8	11405	10052001	Launch lever
9	1	13651	100-70-700/80-56-700	Cylinder
9	2	11260	10002001	Ram
9	3	PX100080	10022001	Splitting wedge 8
9	4	11657	K10121010	Idler
9	5	10969	10029001	Splitting frame
9	6	11298	K10039010	Lock pin
9	7	13652	OSJ06050DIN	Spring cotter
9	8	10607	OJP202565	Spring
9	9	13653	10038002	HTS S:N 130-
10	1	11561	32-20-40	Cylinder
10	2	13656	50-36-250	Cylinder
10	3	13657	1YT3220100	Cylinder
10	4	13651	100-70-700/80-56-700	Cylinder
10	5	13659	60-20-300LV	Cylinder, lock valve
10	6	13660	40-20-100	Cylinder
10	7	13655	32-20-40LV	Cylinder, lock valve
10	8	11447	JAF25	Joint end
10	9	11590	502515JS	Brake cylinder, back support
11	1	13663	DO6DE5BACDZ180119	Valve, with 5 spools
11	1a	31186	DAO57010247R	Spool shifter of the valve
11	2	13664	OHDO28601002	Rubber cover
11	3	13666	OHDO55513615R	Joystick, spare part kit
11	4	15321	DO6DE2BACCX080003	Valve, joystick
11	5	10937	DO6DE1BACDZ180195	Valve, log-stop
11	6	15322	DO6DR1BFCCZ180220	Valve, main
11	6a	31186		Spool shifter of the main valve
11	6b	31584		Locking part of the main valve
11	7	14486	DO6DT1031/2000029	Ball valve, closing
11	8	14486	DO6DT1031/2000029	Ball valve, closing
12	1	13672	OH4848GG	Clutch assembly
12	2	13673	MLPS/G351+208+208+144C	Pump assembly
12	3	13674	OHFIO180/3	Filter assembly
12	3a	11539	T17002498	Cartridge filter
13	1	31579	OE6143005	Automatic starter
13	2			Start/Stop switch
13	3			Emergency stop switch
13	4			Heater switch

Pict.	Part	New Code	Old Code	Name
13	5	15570	OE150B31500	Electric motor 15kW
13	6	31581		Connector 63Ah
13	7	11593	OVS2041208053	Angular gear
				Conveyor
15	1	13675	OYP25050	Wheel
15	2	11200	K2606011	Idler wheel
15	3	10596	OL62052RS	Bearing 6205
15	4	11003	2603001	Wheel holder
15	5	11004	OJP5530340	Spring
15	6	11370	OHOMP80	Gerotor OMP80+relief valve
15	6a	11779	OHOMP80	Gerotor OMP80 without relief val.
15	7	13676	10104001	Drive shaft
15	8	10997	UCFL205	Bearing
15	9	14300	L10048010	Locking lever
15	10	13677	K10122010	Chain holder
15	11	11657	K10121010	Idler
15	12	11658	K10116010	Pin
16	1	13680	OK100S32	Chain assembly incl. scrapers
16	2	11377	OK70001U	Locking piece
16	3	11376	OK70002U	Scraper fitting
16	4	11655	K10107010	Scraper