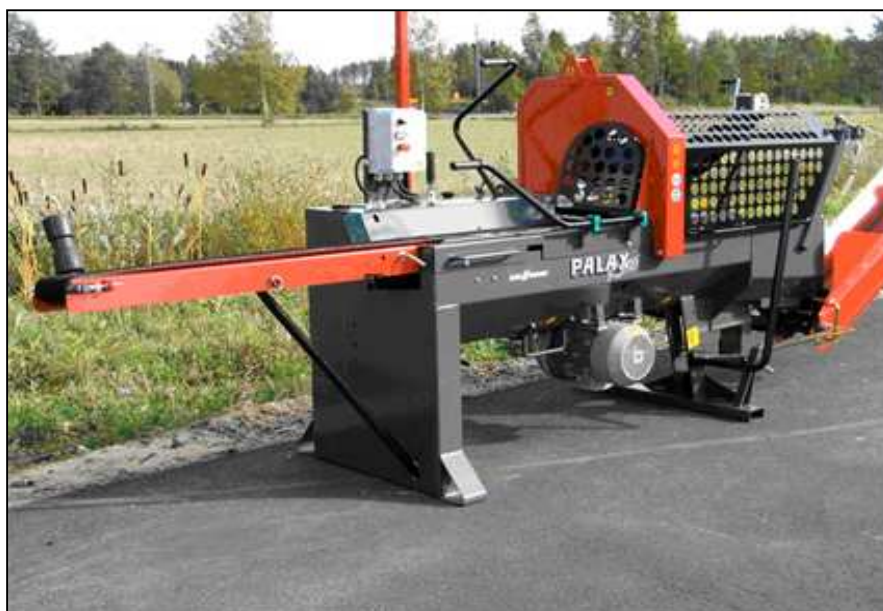


PALAX KS 35 / 35S

In English



D Bestellsanweisung

Das Bild mit dem gesuchten Teil finden.

Die richtige Teilnummer finden.

Der richtige Bestellungscode mit Hilfe der Bildnummer und Teilnummer finden.

Bei Bestellung sollen die Bestellungsnummer, die Beschreibung des Teils, die Seriennummer und das Baujahr angegeben werden.

ES Instrucciones para realizar pedidos

Encuentre la ilustración en la que aparece la pieza que está buscando.

Busque el número de pieza en la ilustración.

Escriba el código de pedido correcto en la lista de piezas en base al número de la ilustración y al número de pieza.

Al realizar los pedidos, indique siempre: El código de pedido, el nombre del elemento, el número de serie y el año de fabricación de la máquina.

FIN Tilausohje

Etsi kuva jossa haluamasi osa on.

Katso kuvasta osan numero.

Katso osaluettelosta kuvanumeron ja osanumeron avulla tilausnumero.

Tilauksessa mainittava aina tilausnumero, osan nimi, koneen sarjanumero ja valmistusvuosi.

FR Instructions de commande

Recherchez l'illustration sur laquelle la pièce dont vous avez besoin est illustrée.

Relevez le numéro de pièce sur l'illustration.

Établissez le code de commande correct dans la liste de pièces, en faisant correspondre le numéro de l'illustration et le numéro de pièce.

Au moment de la commande, mentionnez toujours : le code de commande, le nom de l'article, le numéro de série et l'année de fabrication de la machine.

GB Ordering guide

Seek the right picture.

See the part number.

Look, by using the picture- and partnumber for the right orderingnumber of the sparepart from the spareparts list.

When ordering always mention the sparepart number, partname, serialnumber and manufacturing year.

SWE Beställningsåd

Sök bilden där den önskade delen finns.

Se delnumret.

Sök med hjälp av bild- och delnummer reservdelnumret i reservdelförteckningen.

Vid beställning bör alltid uppges: reservdelnummer, delens benämning, serienummer och tillverkningsår.

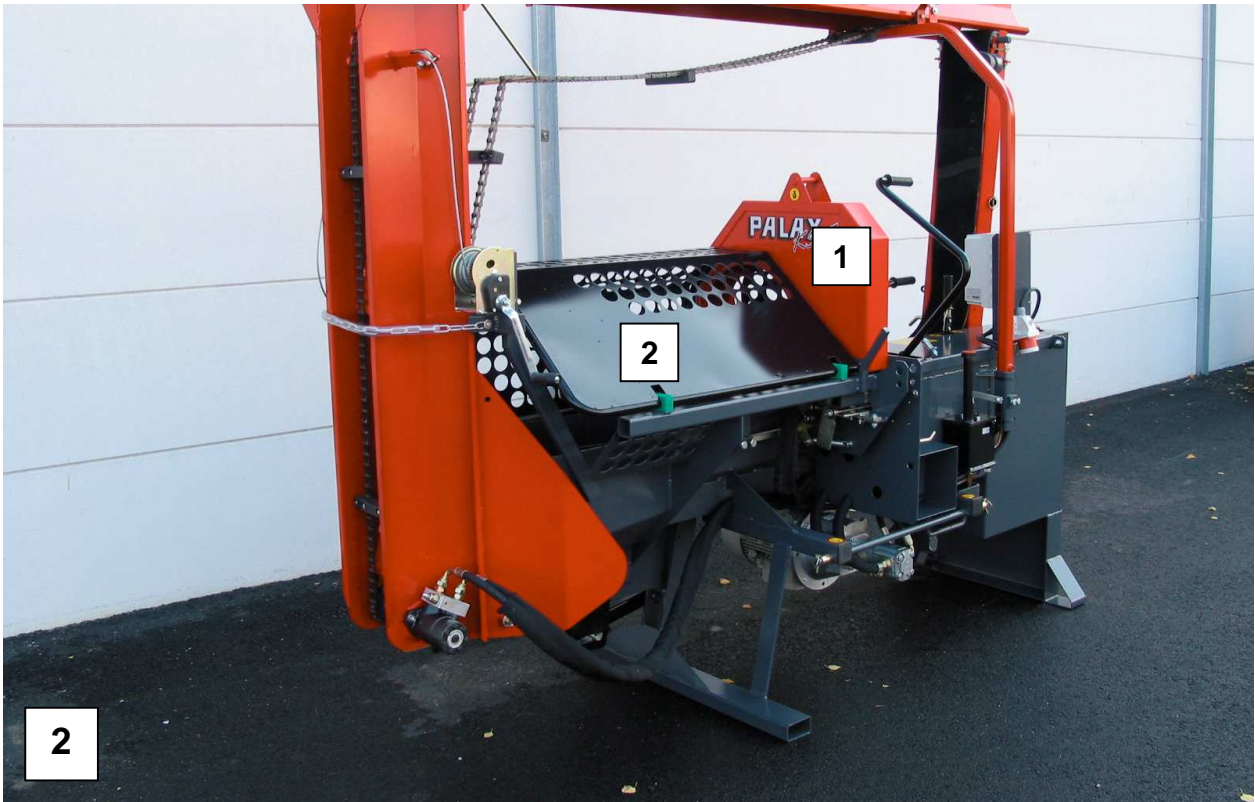
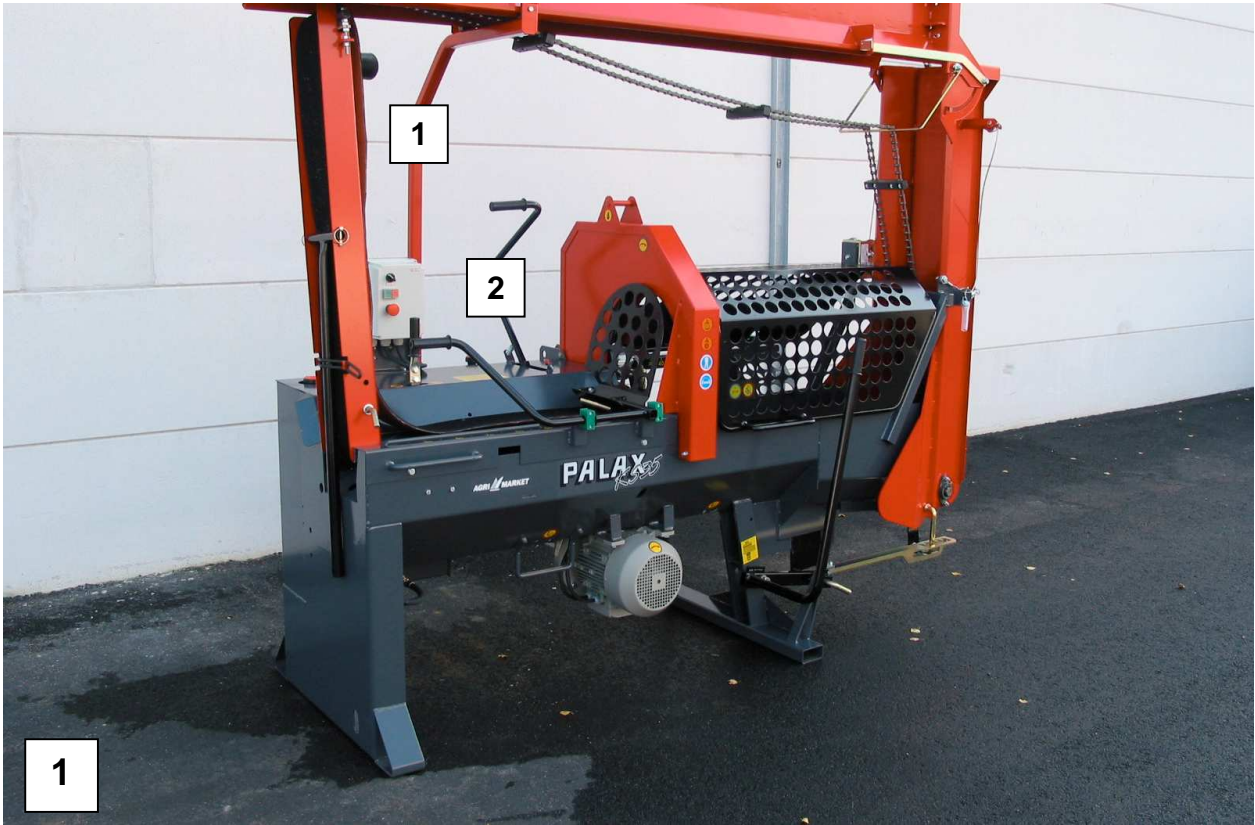
NOR Bestillingsveiviser

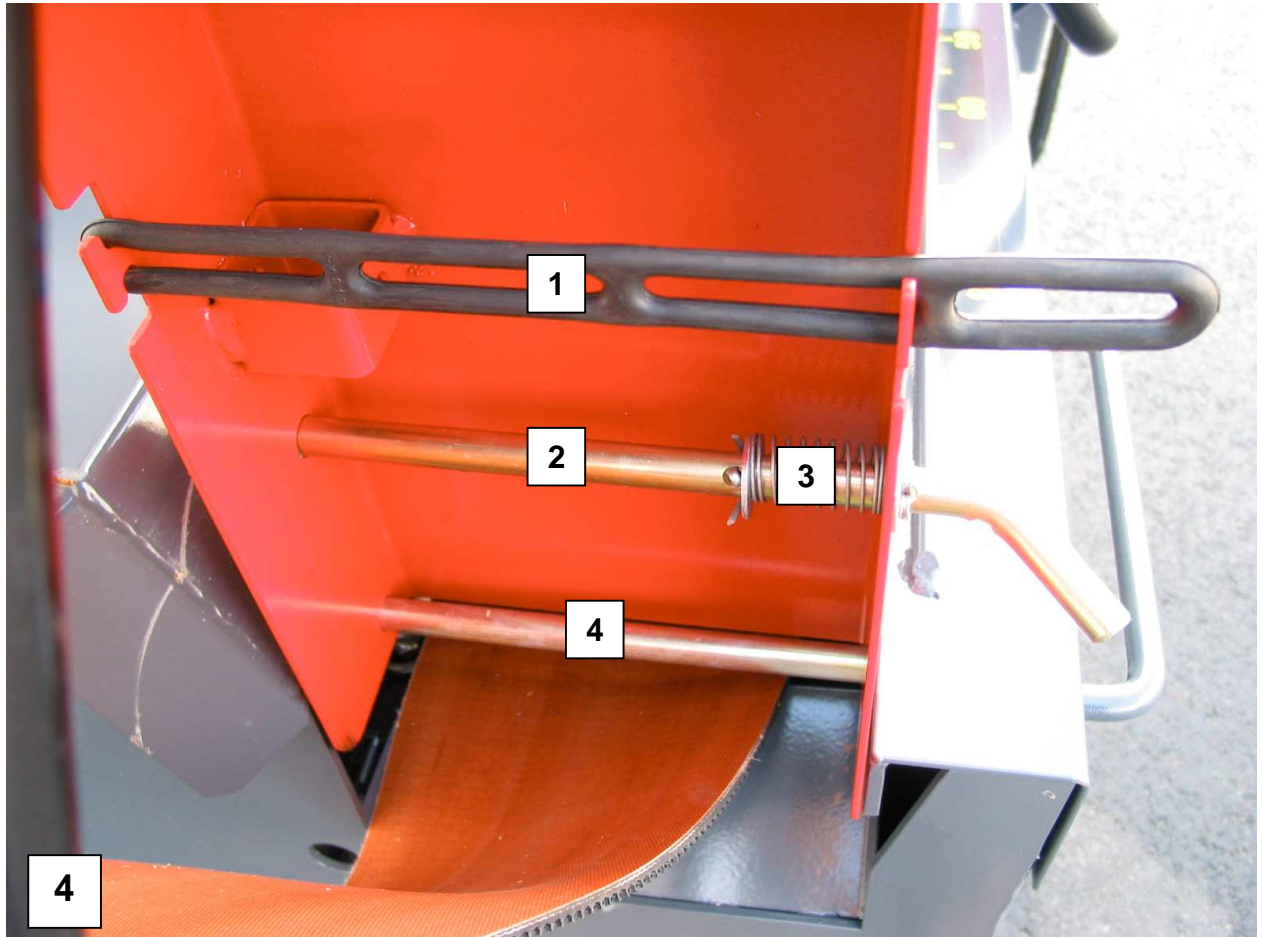
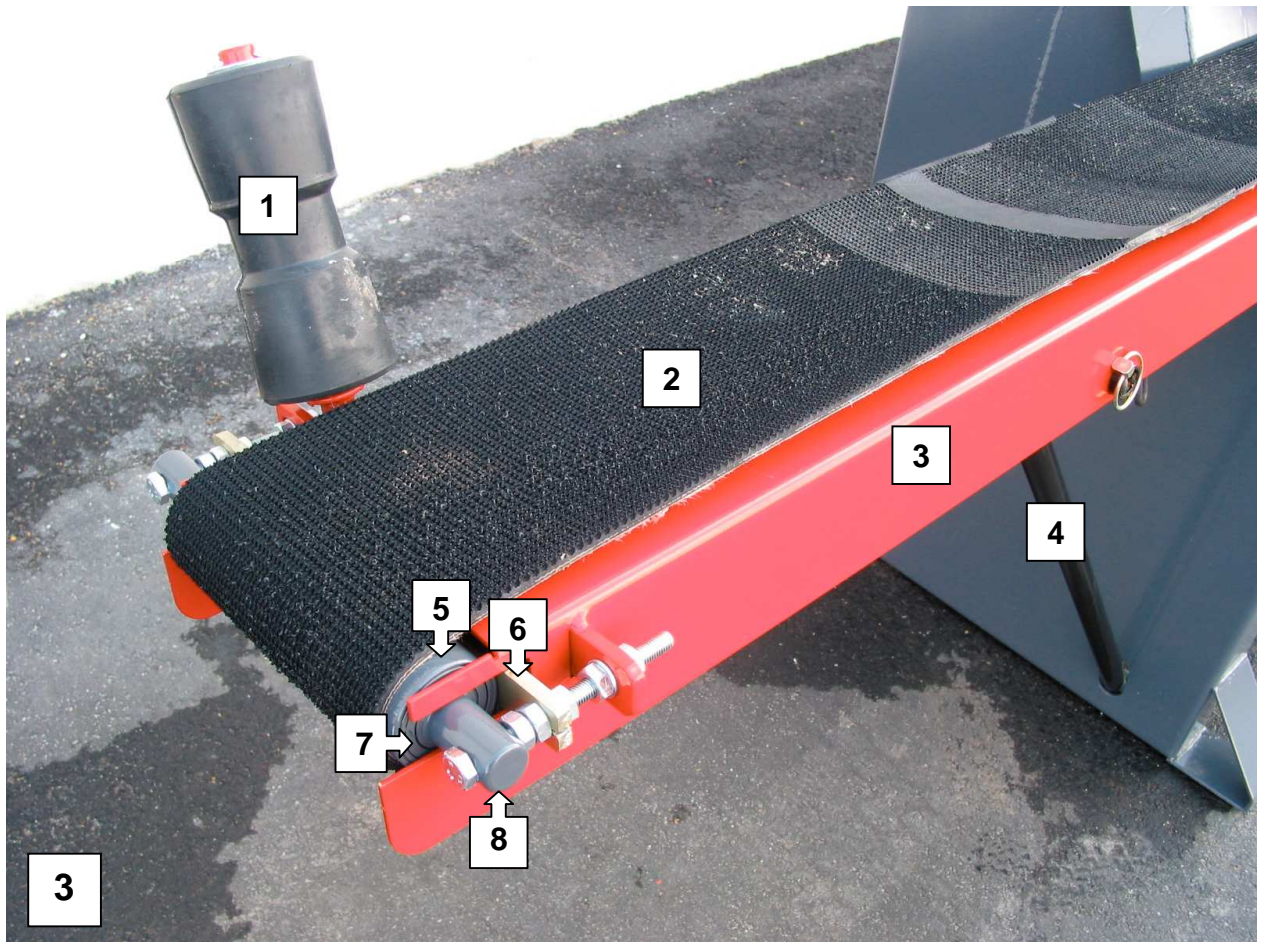
Søk etter bildet der den ønskede delen er.

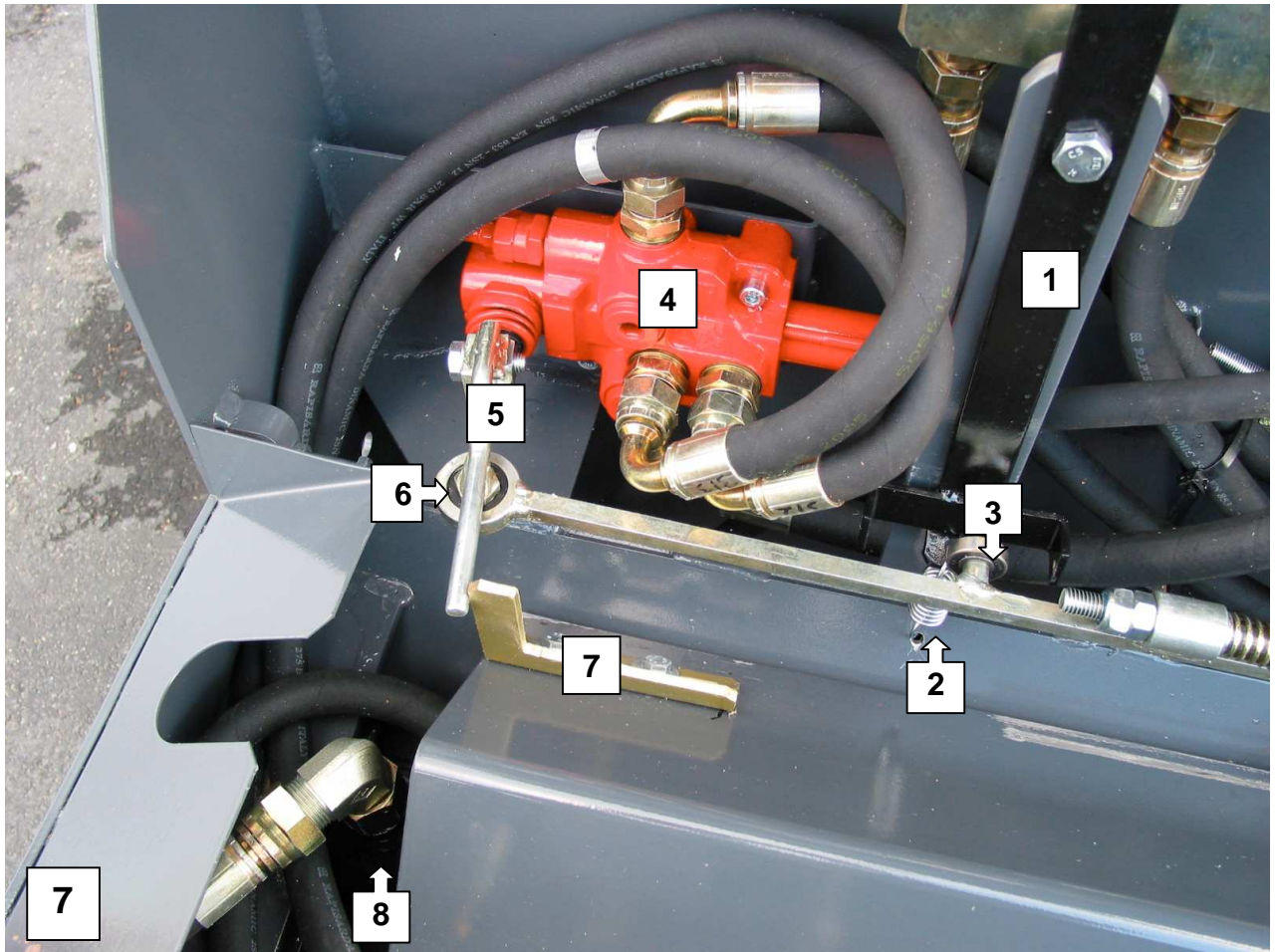
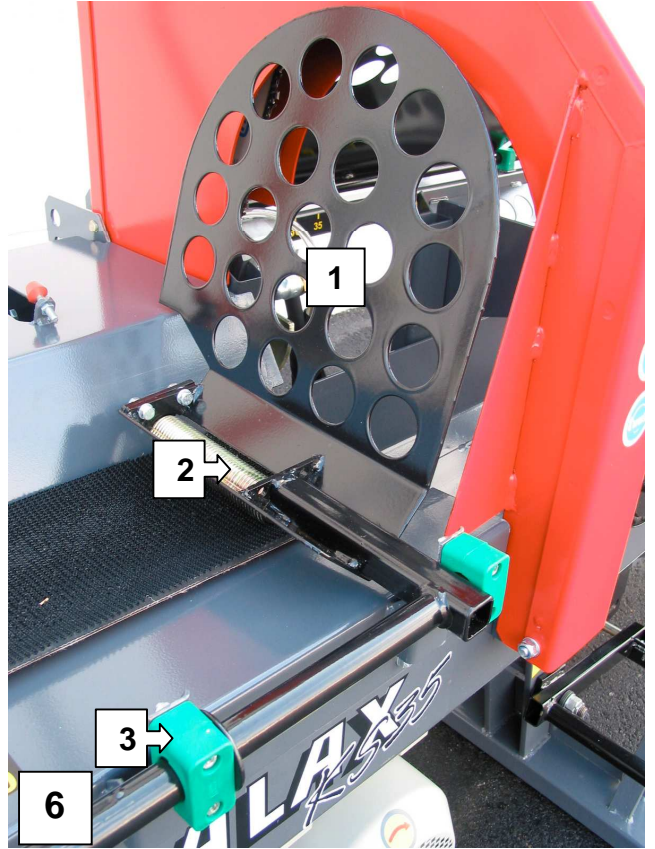
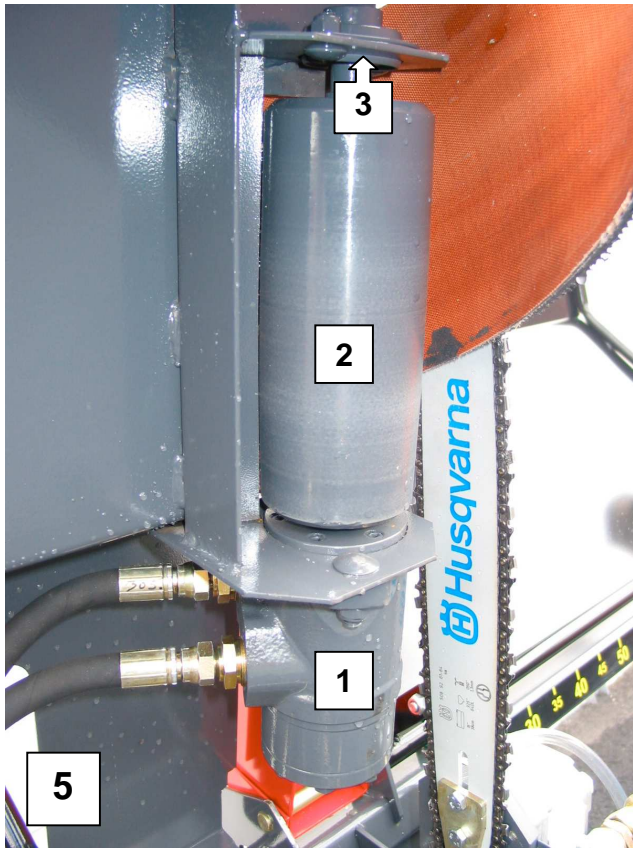
Se delnummeret.

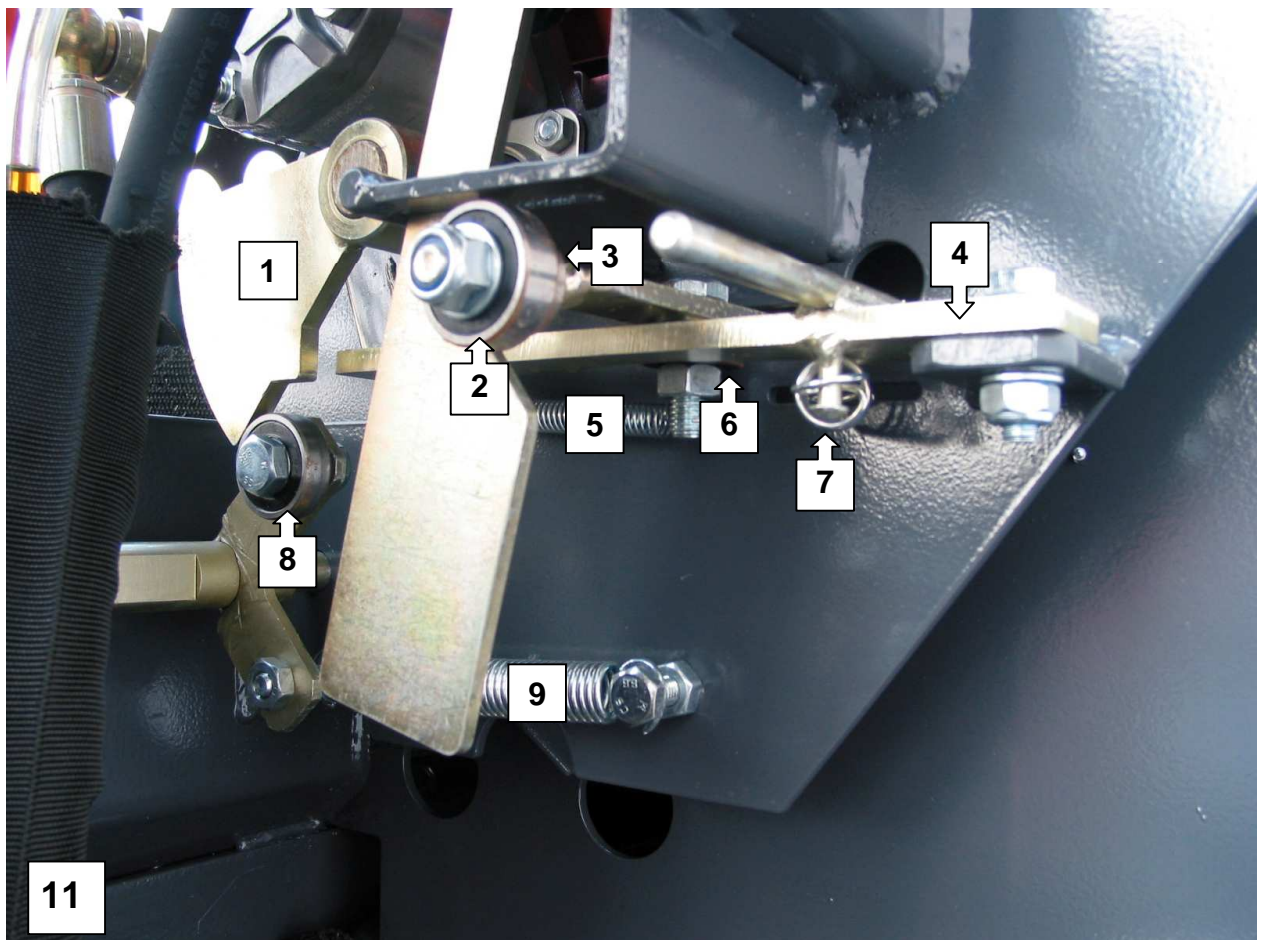
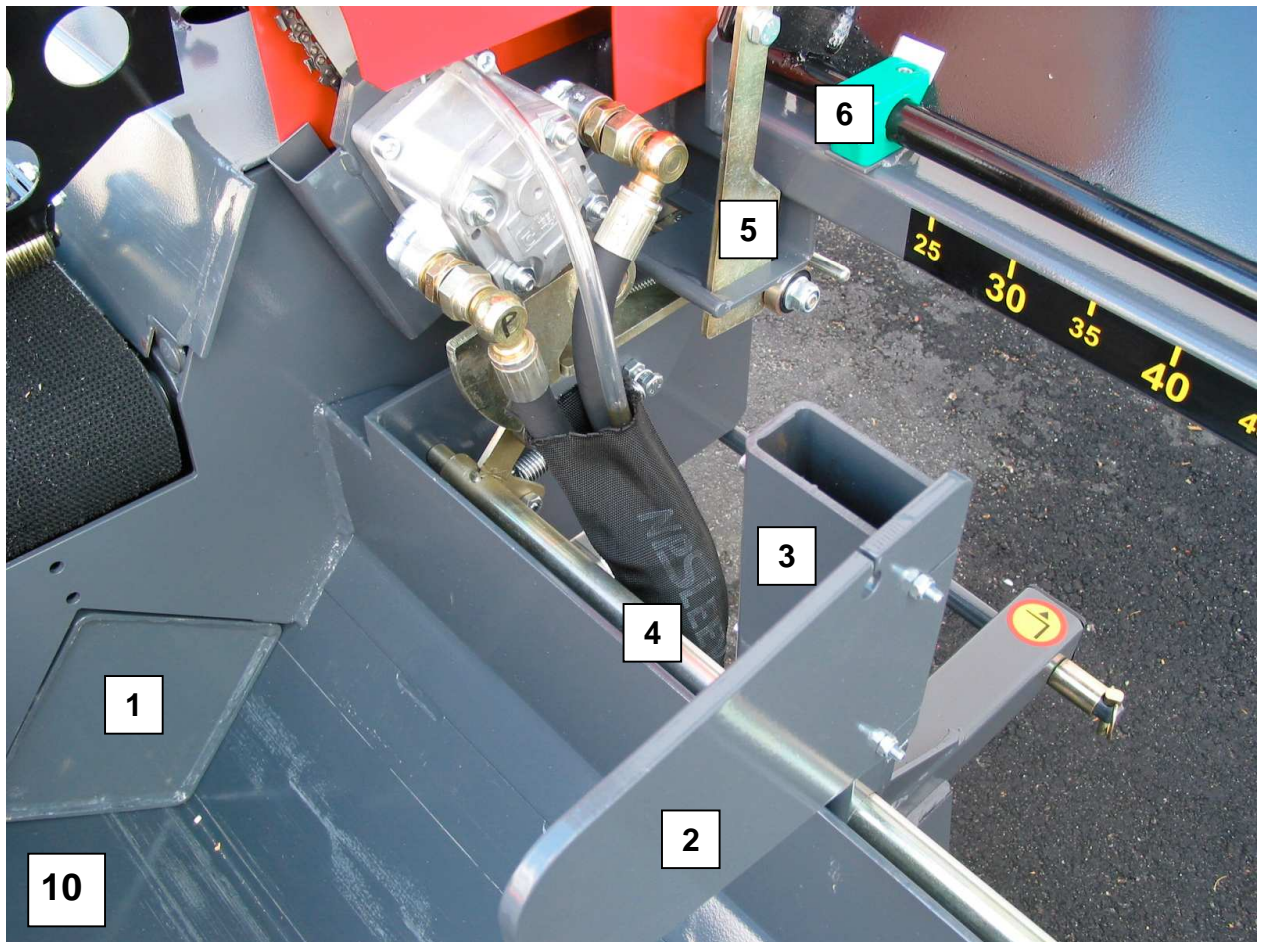
Søk ved hjelp av bilde- og delnummeret etter reservedelsnummeret i reservedelsfortegnelsen.

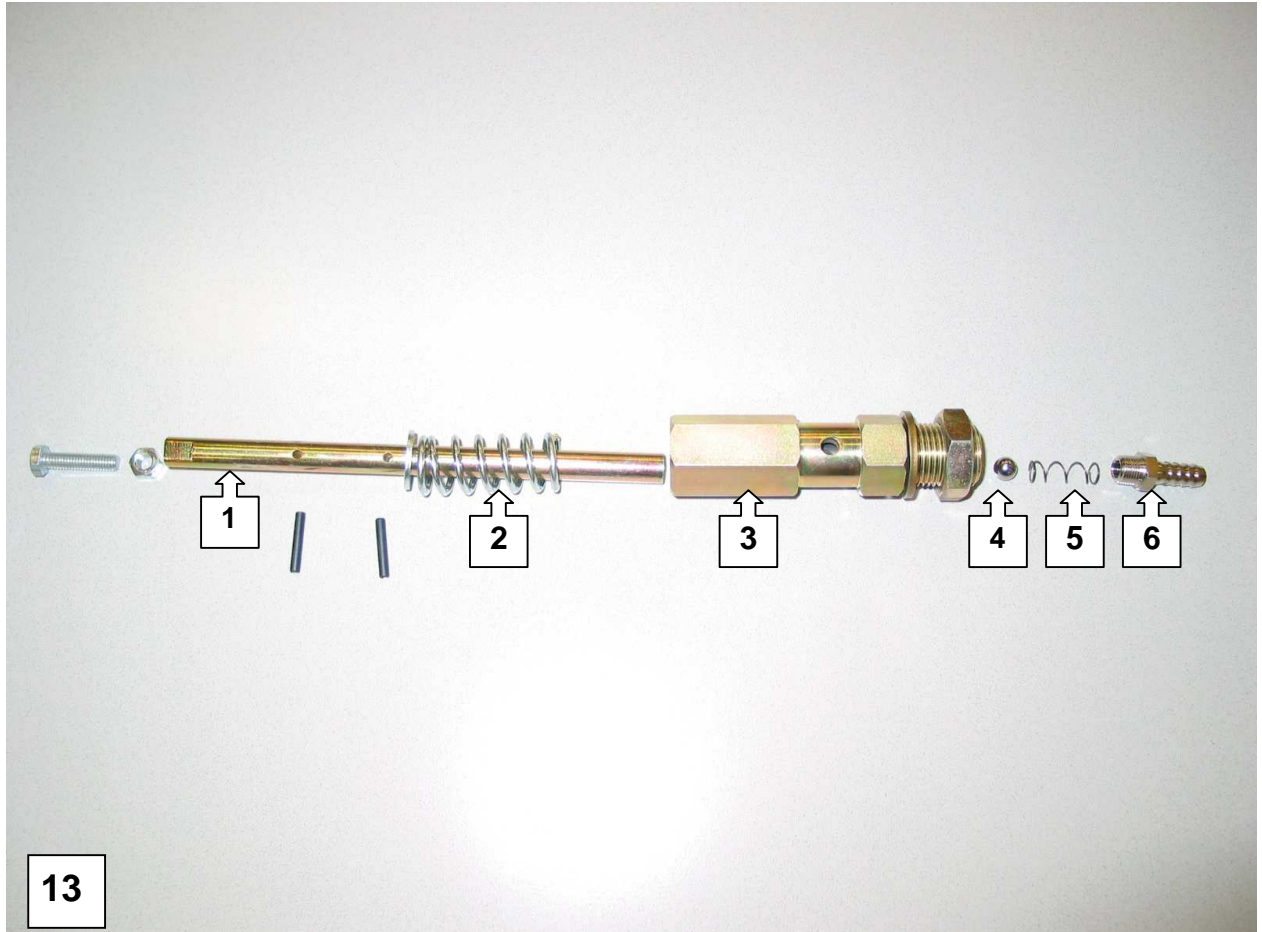
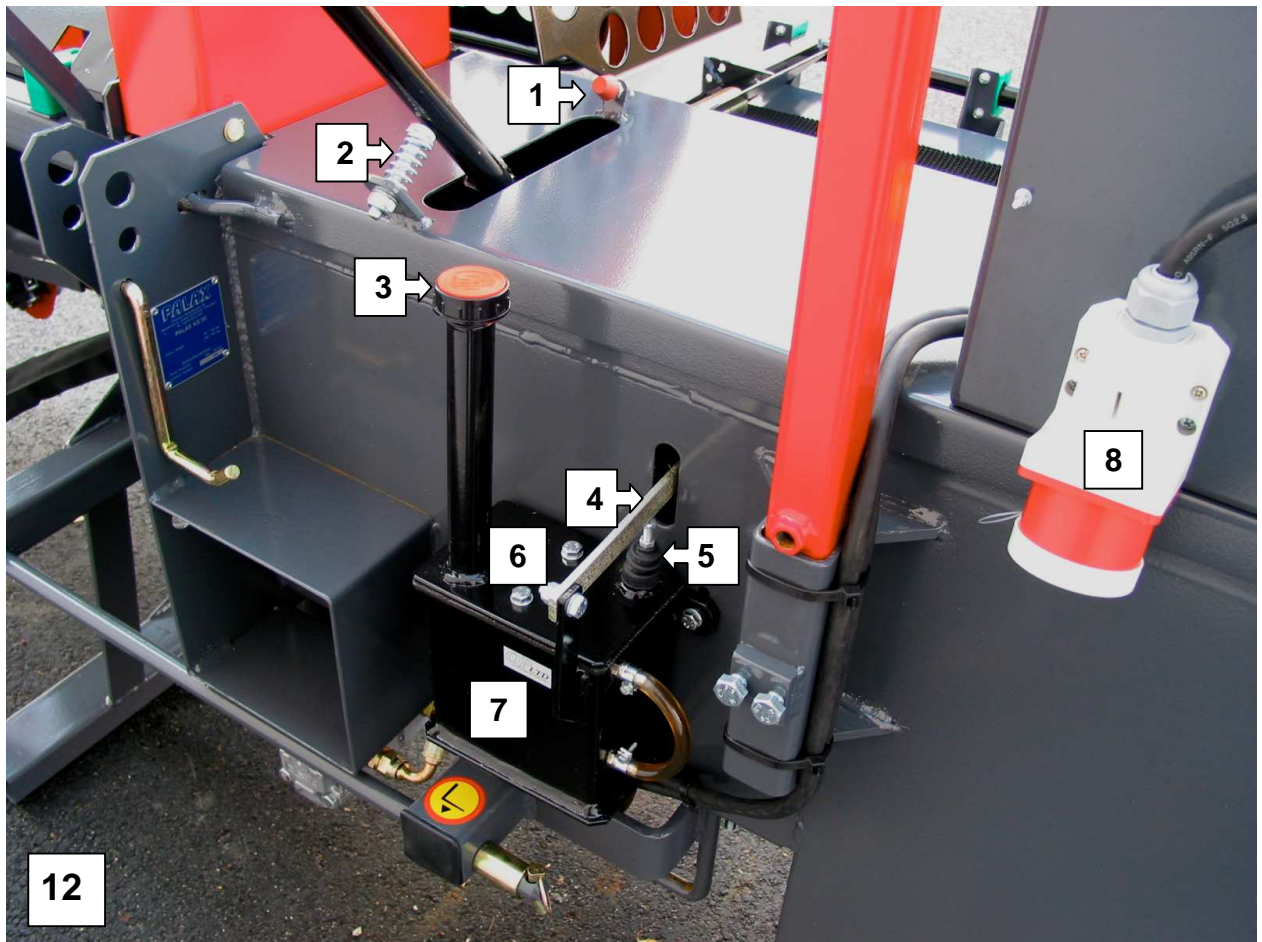
Ved bestilling bør reservedelsnummer, delens navn, serienummer og produksjonsår alltid oppgis.

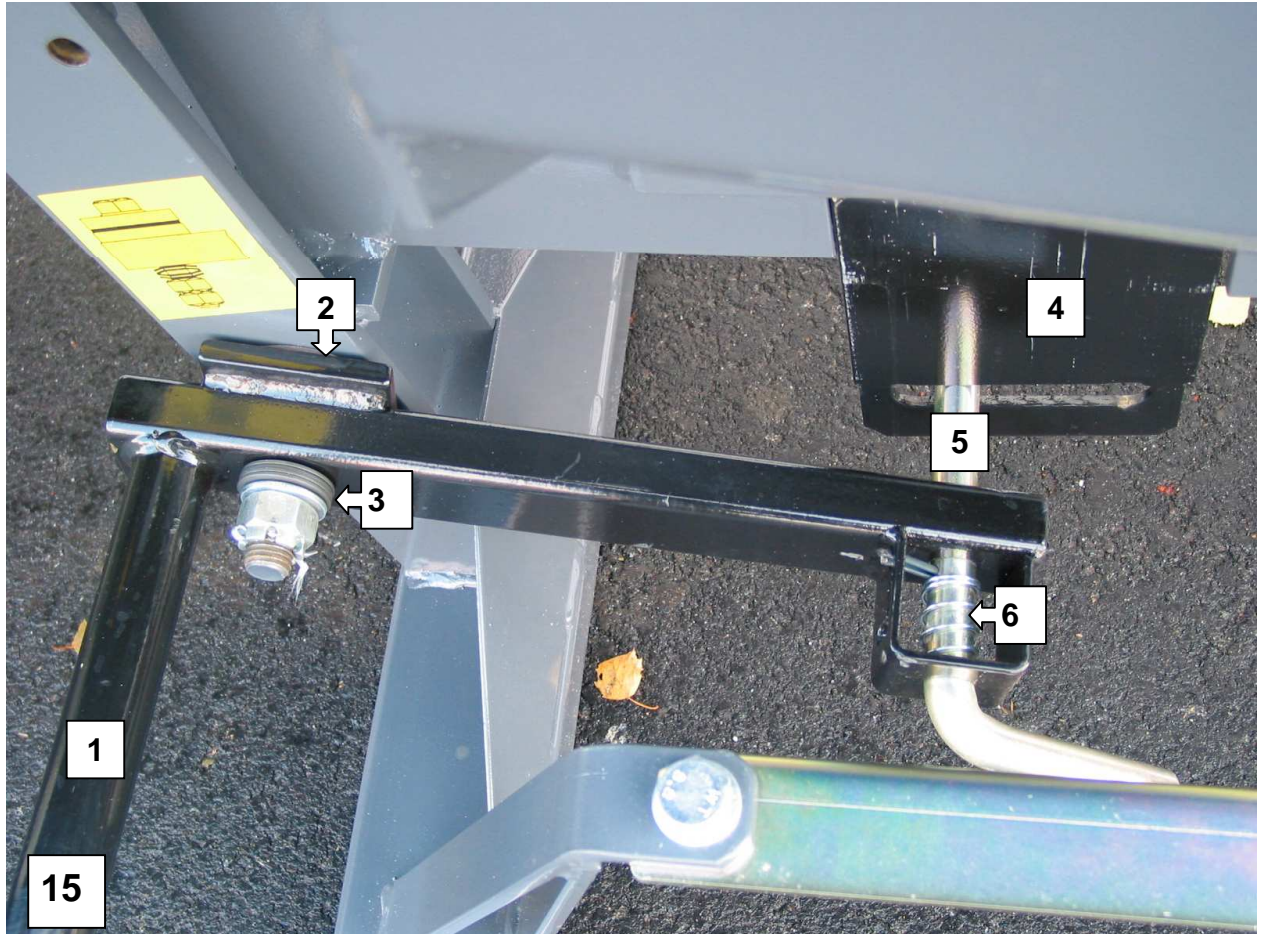
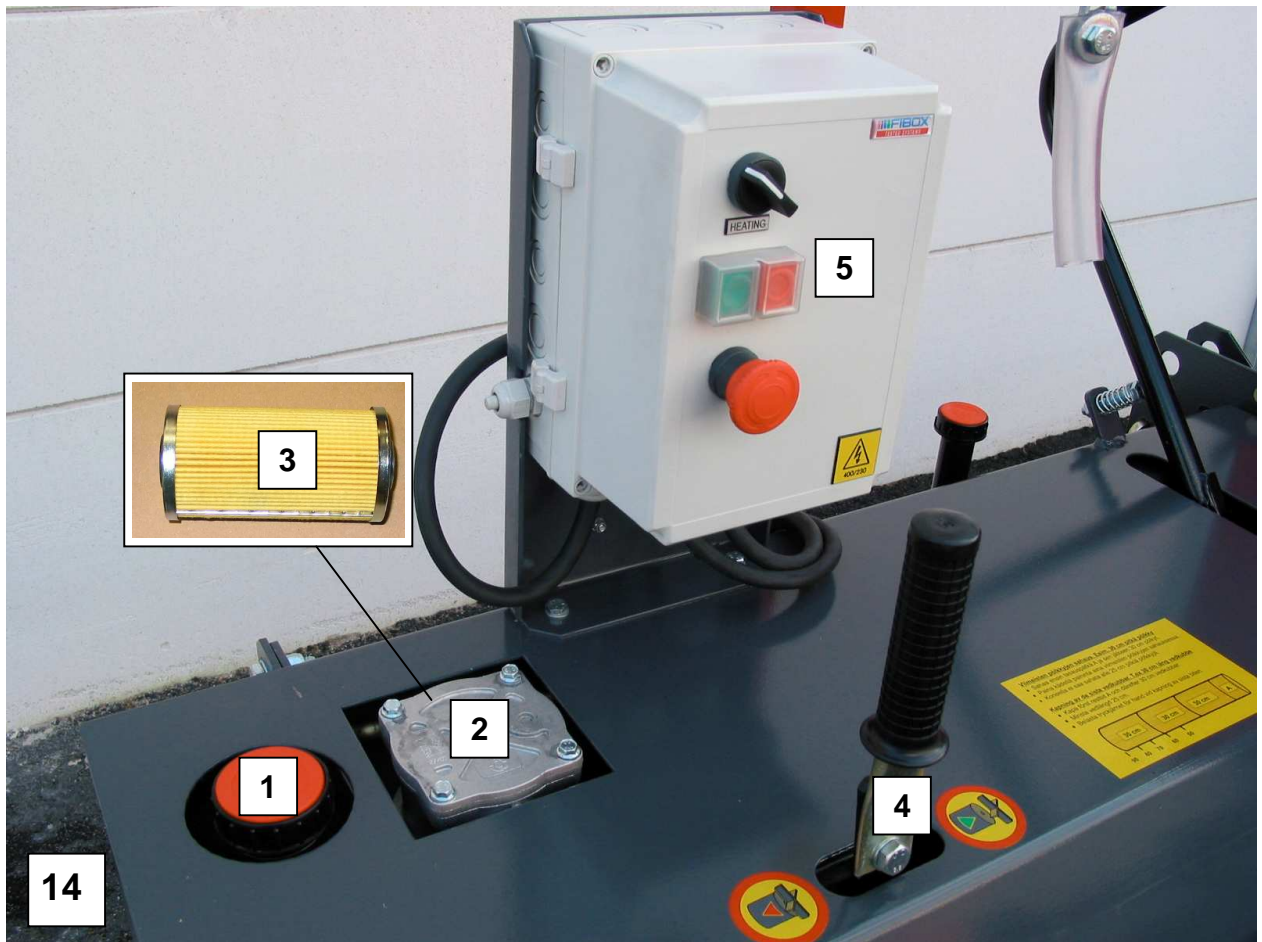


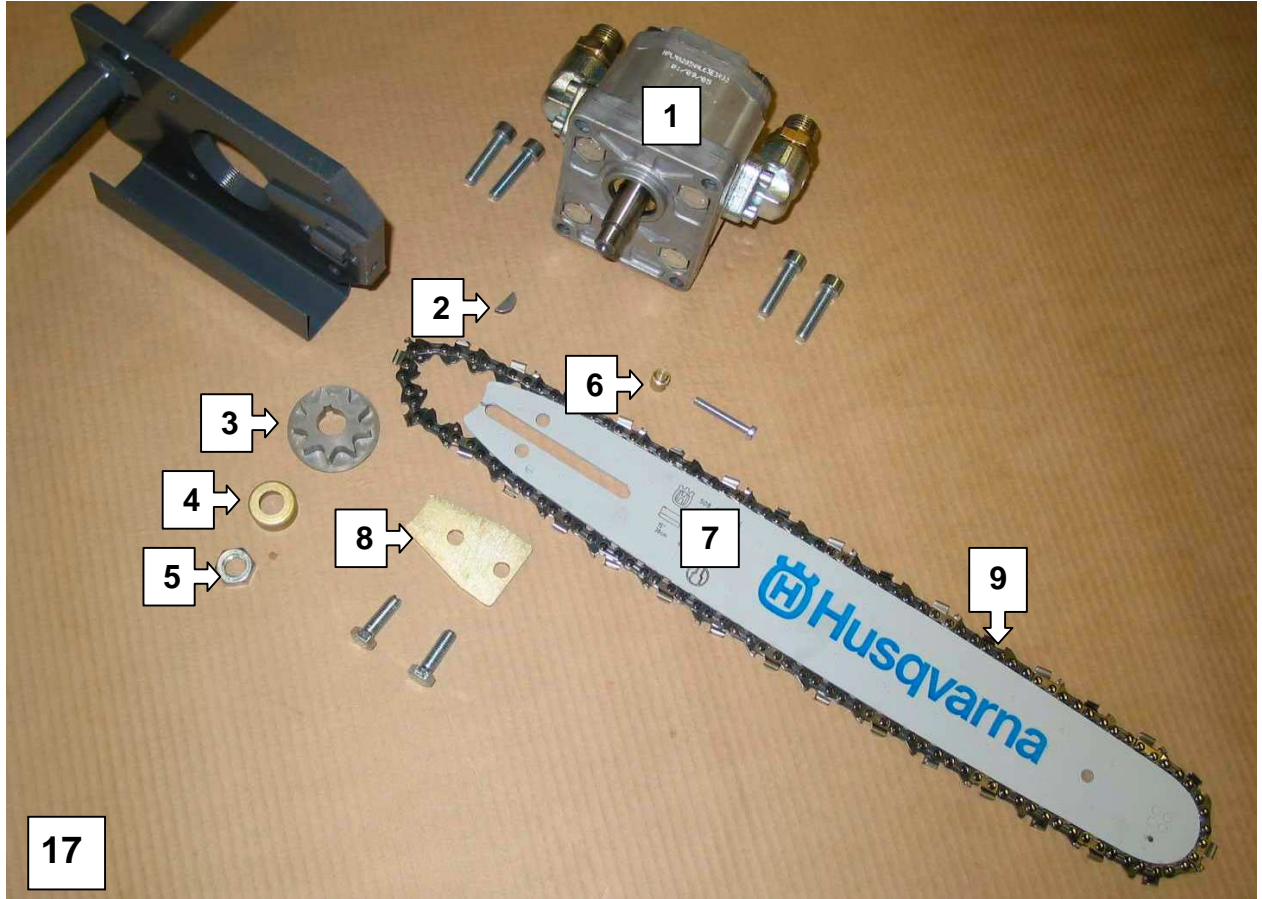
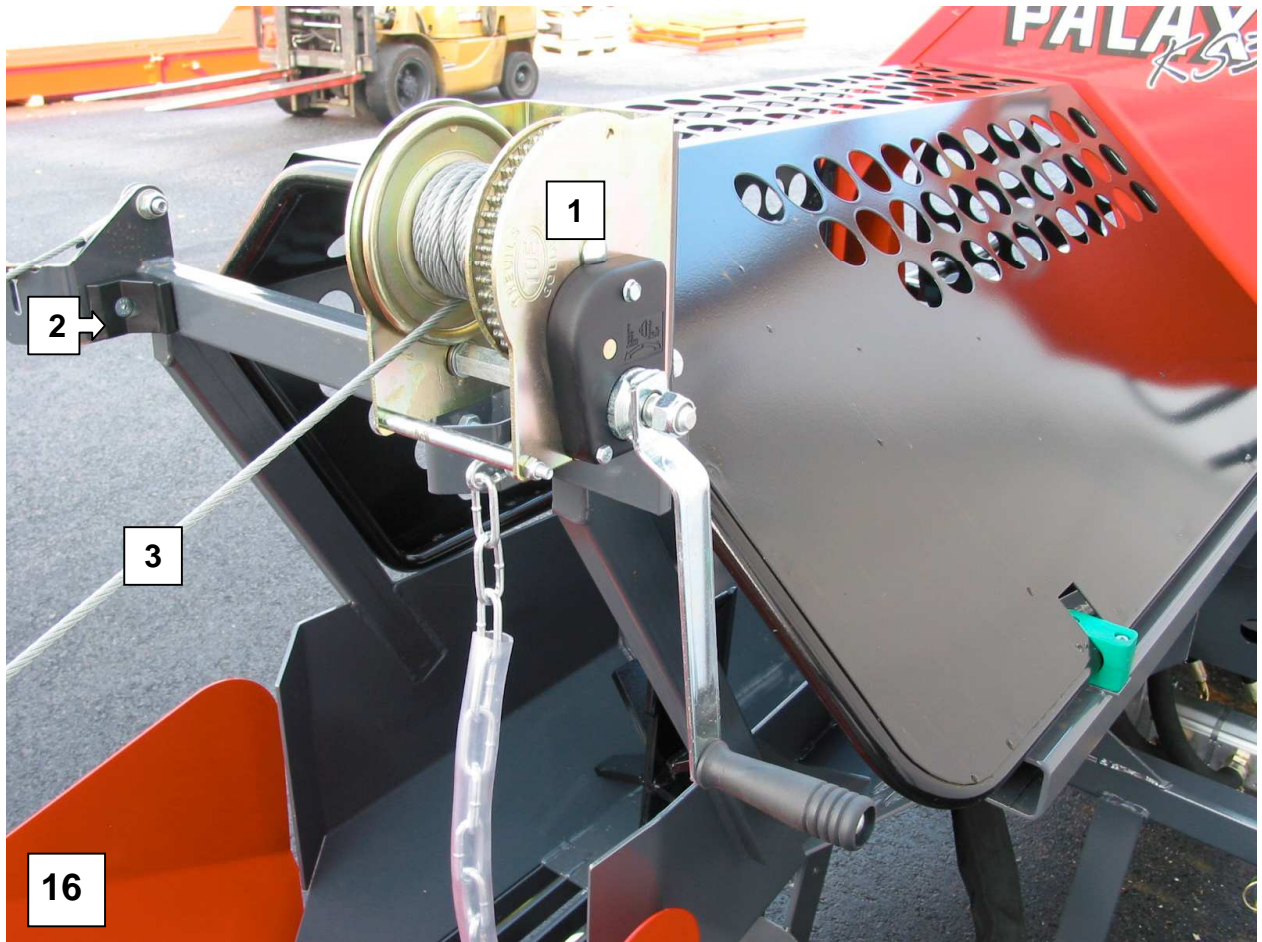


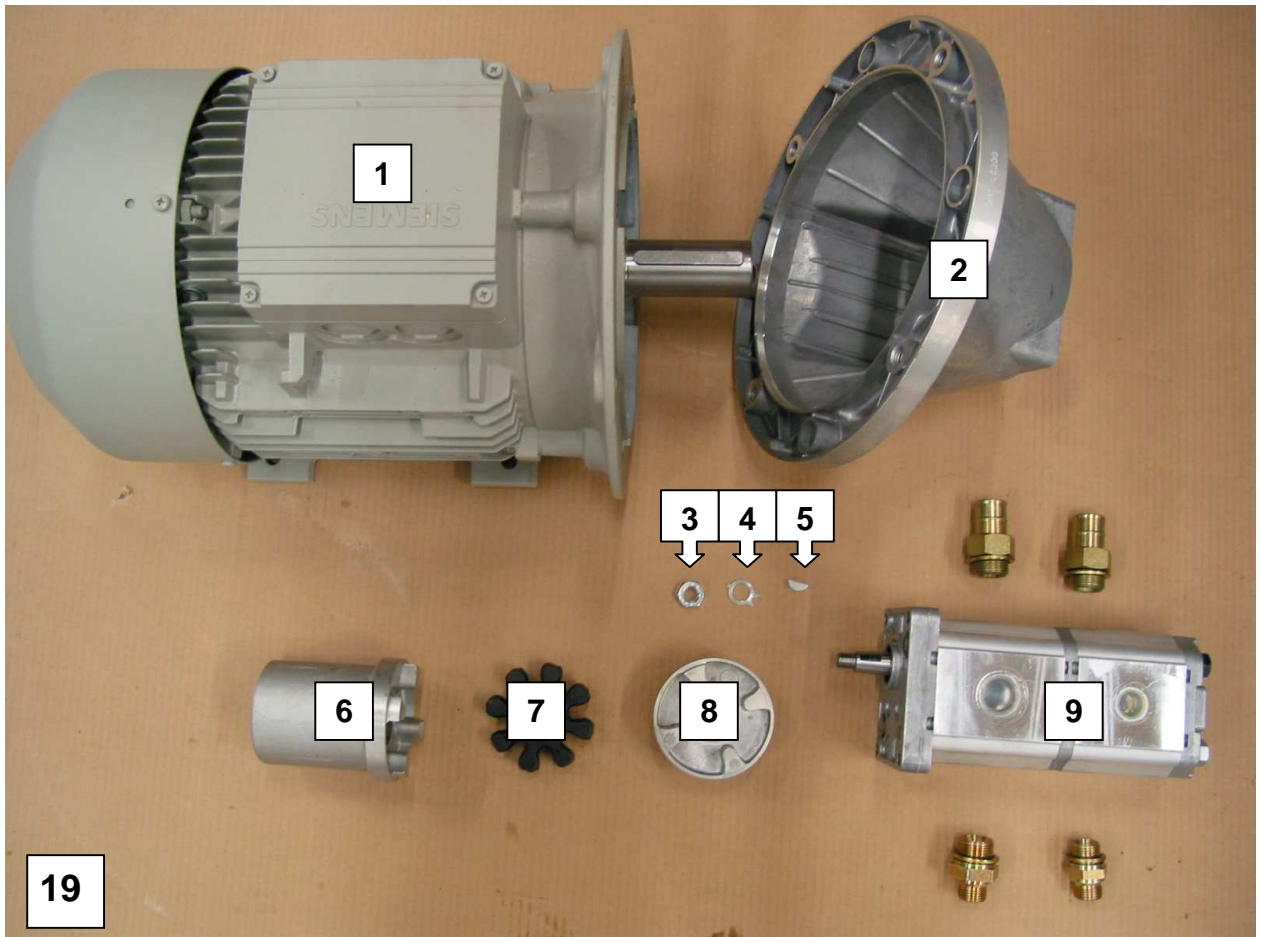
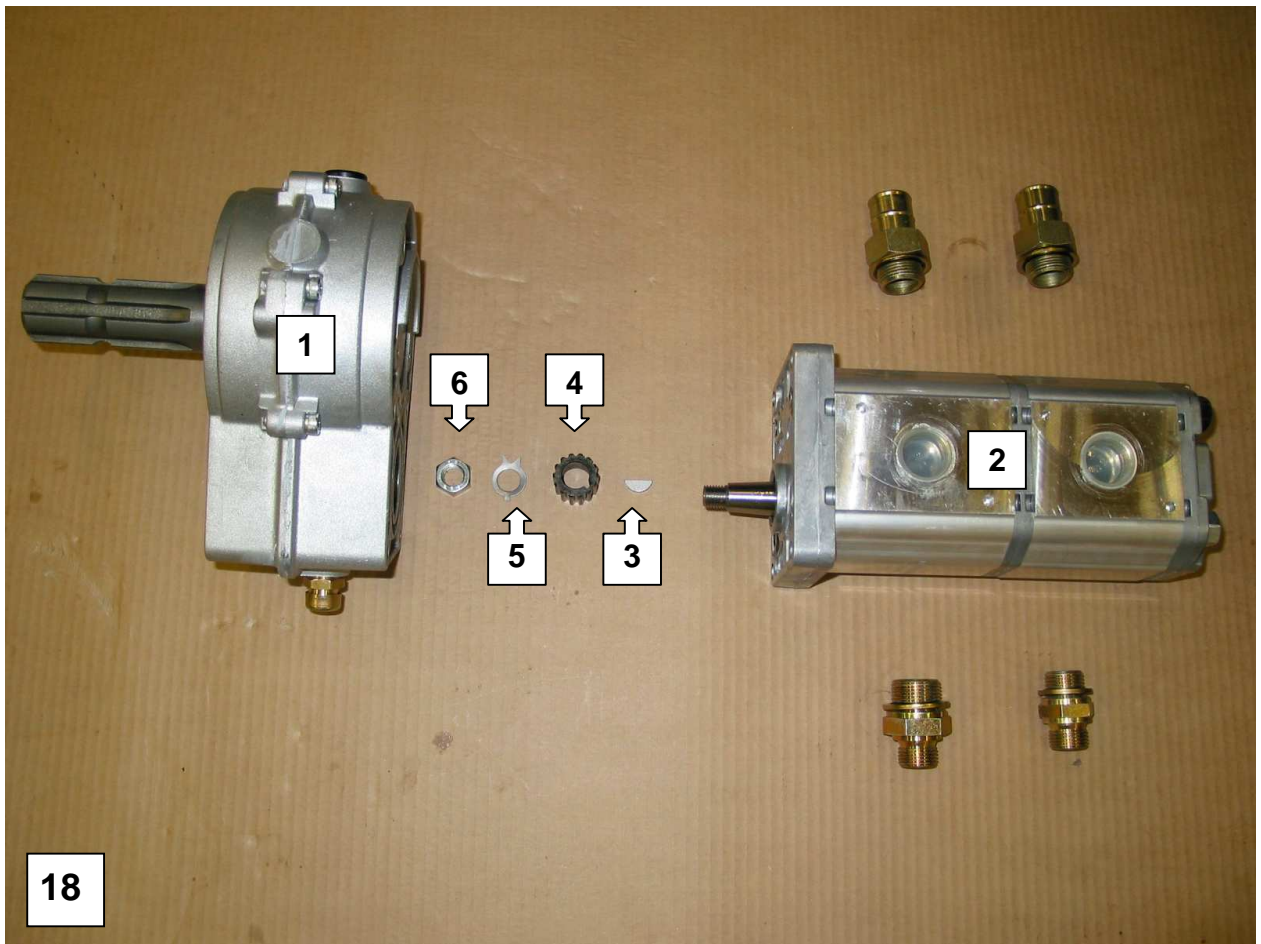


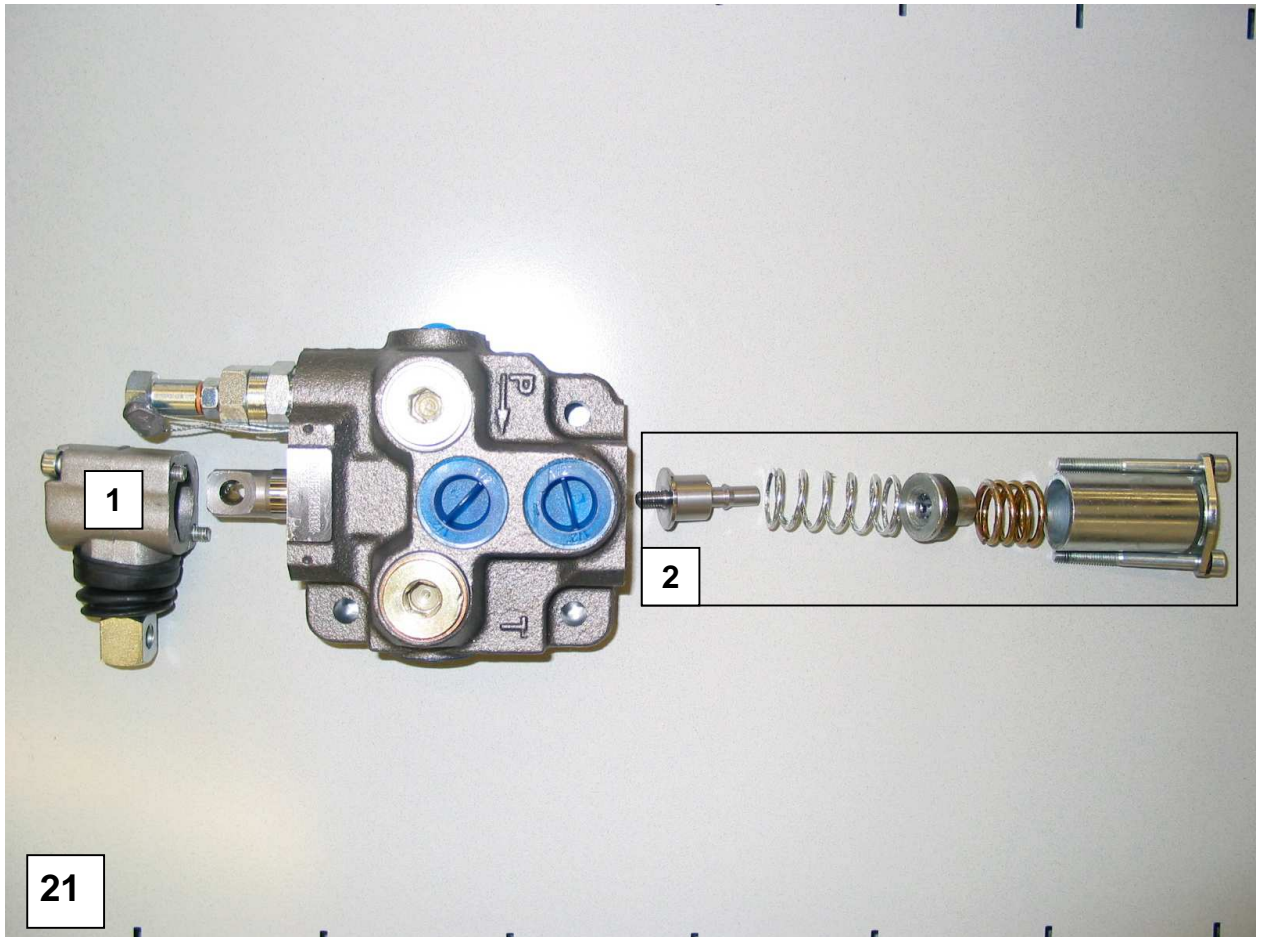


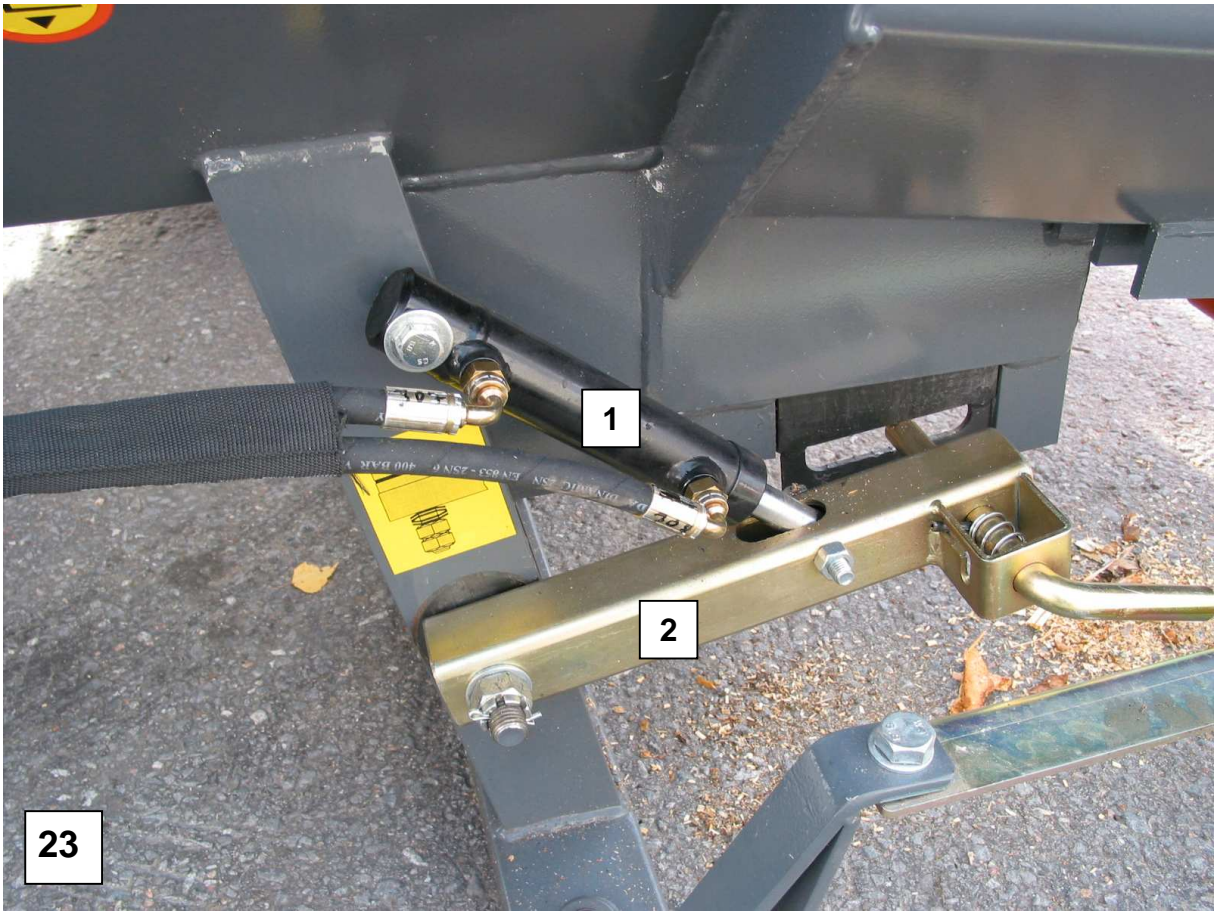
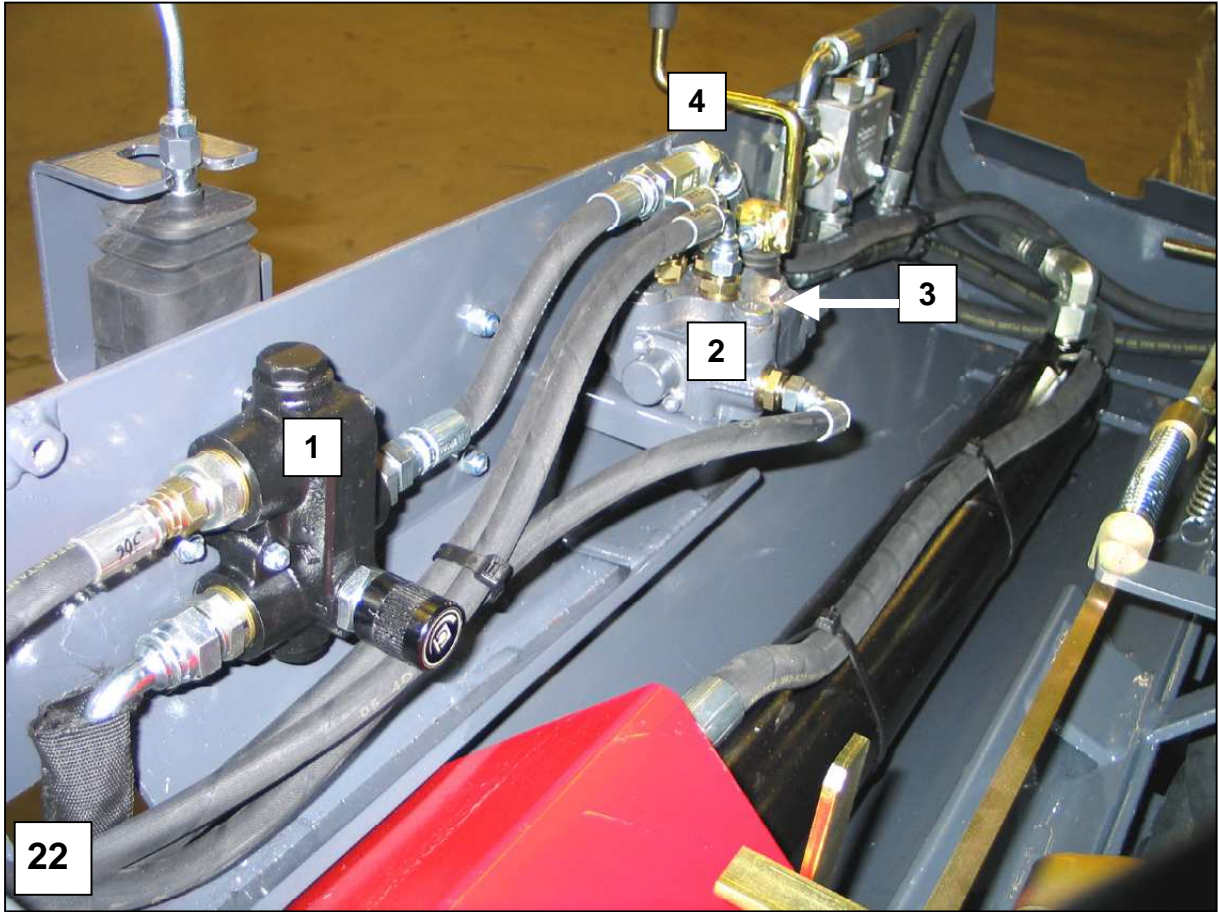


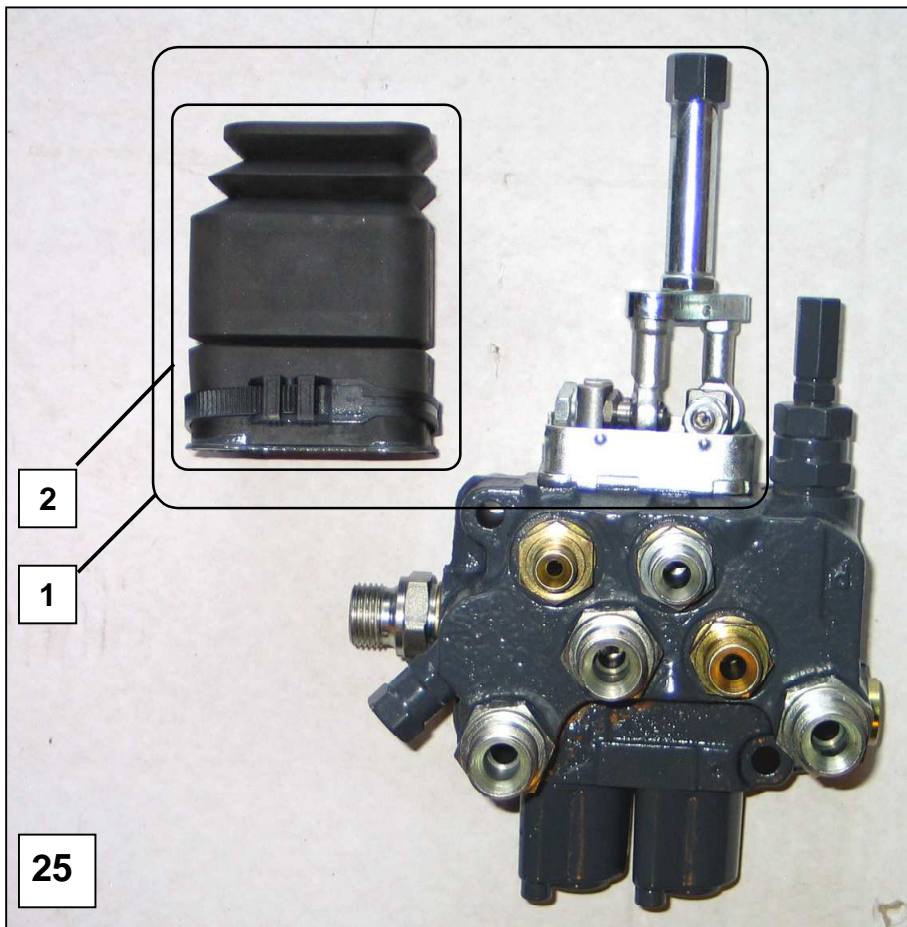
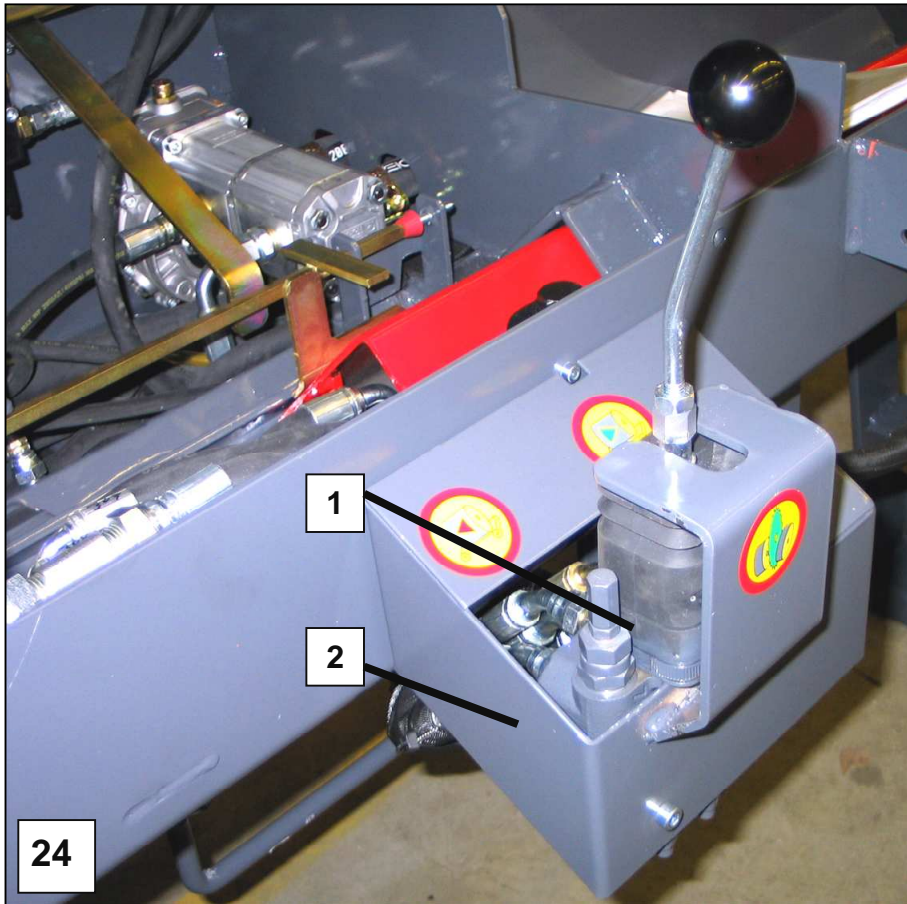


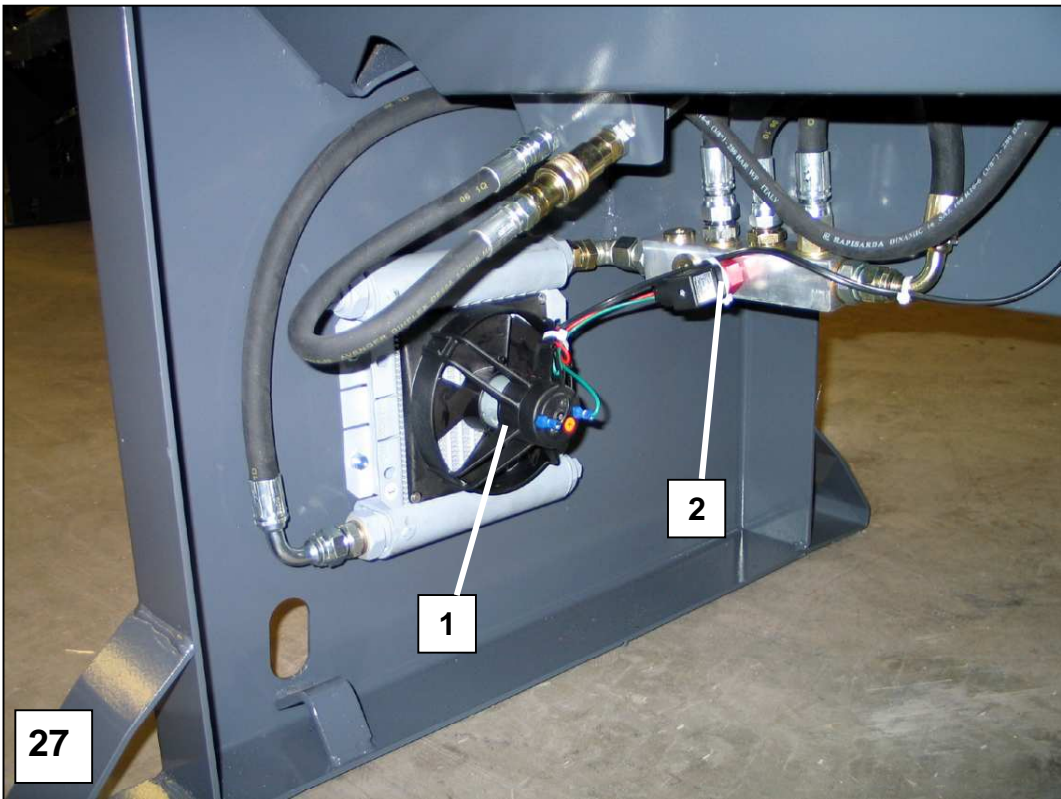
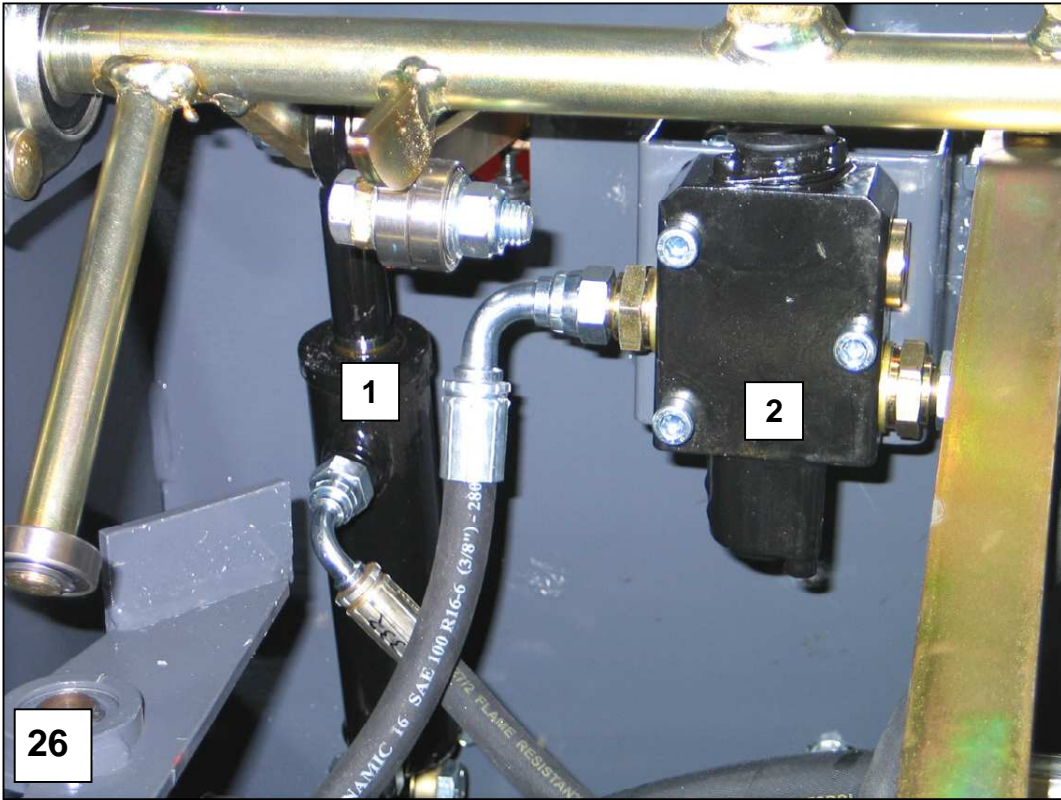


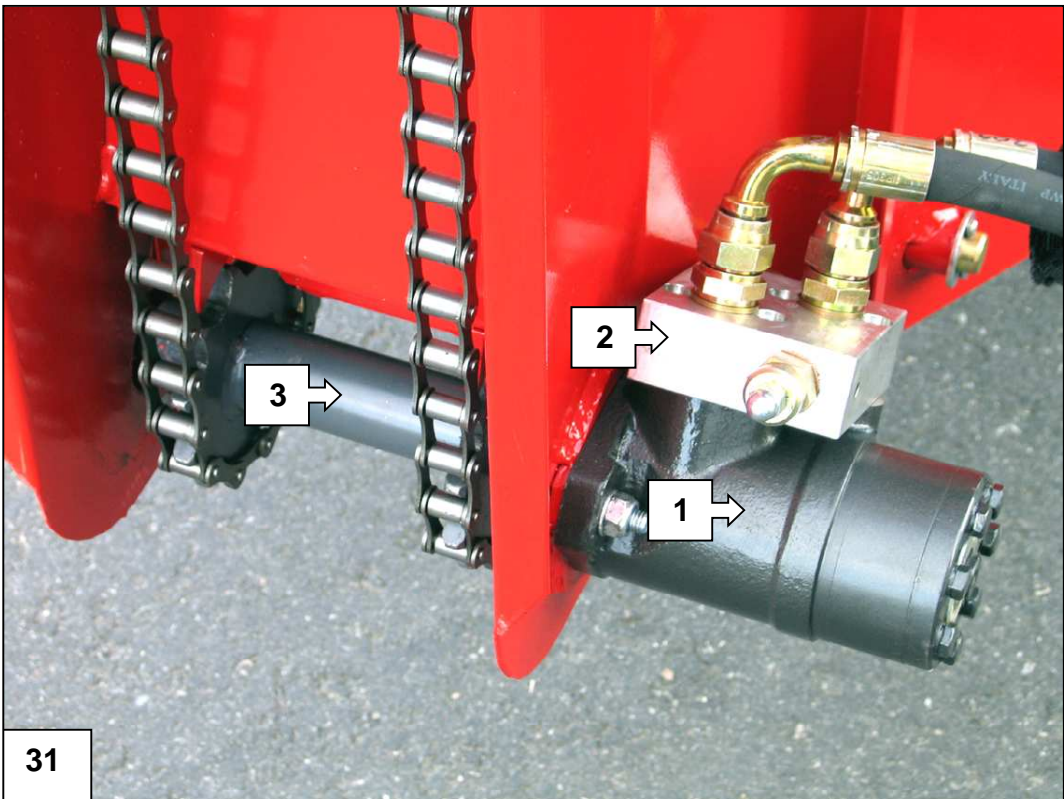


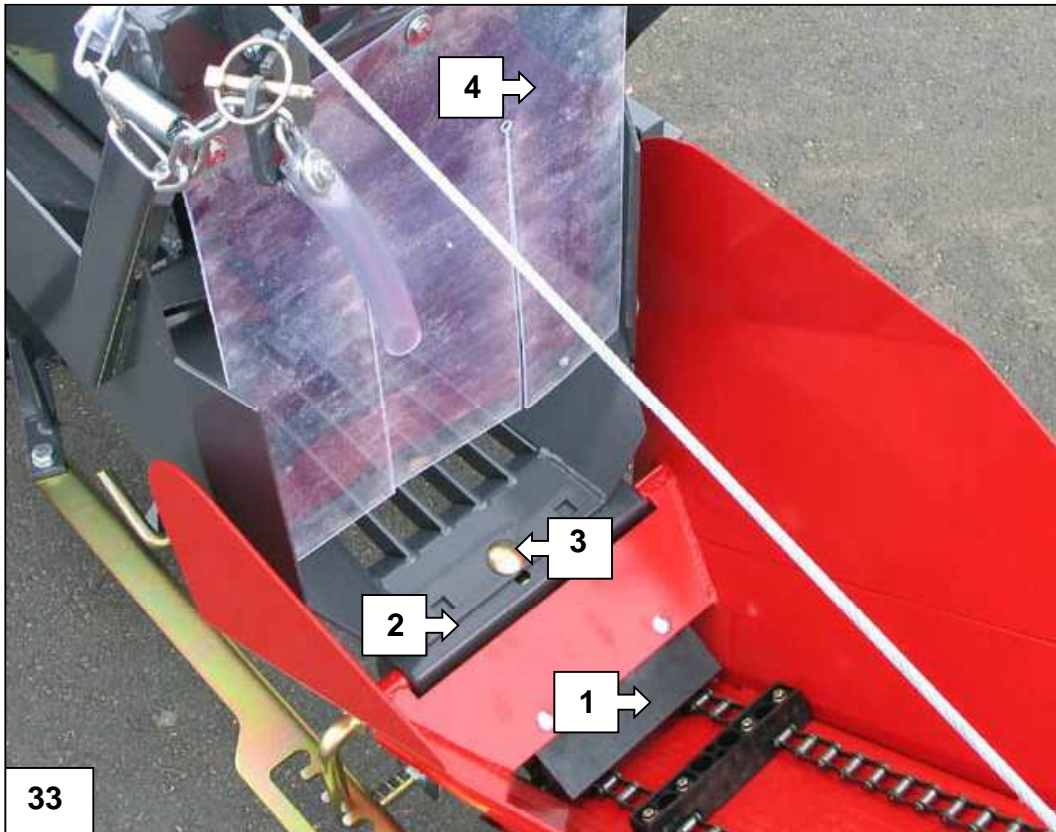
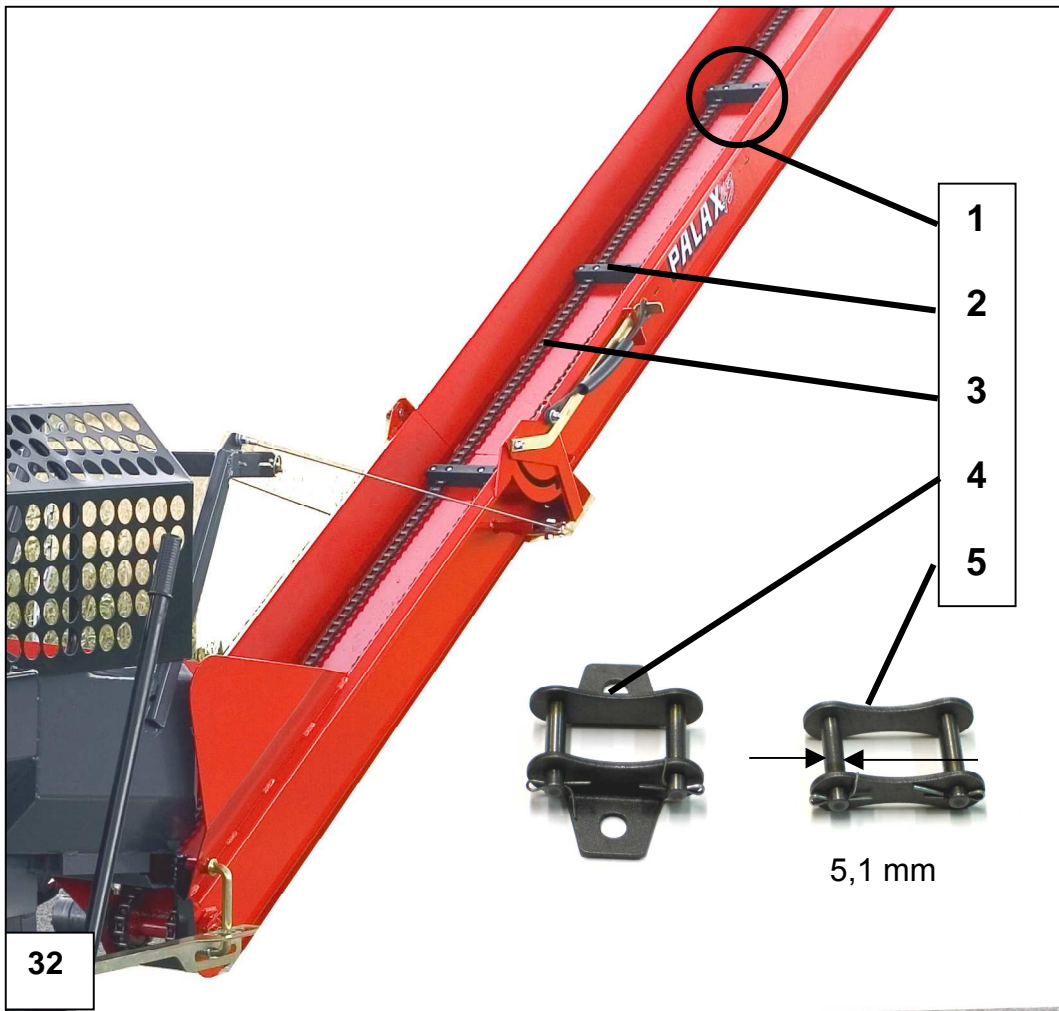


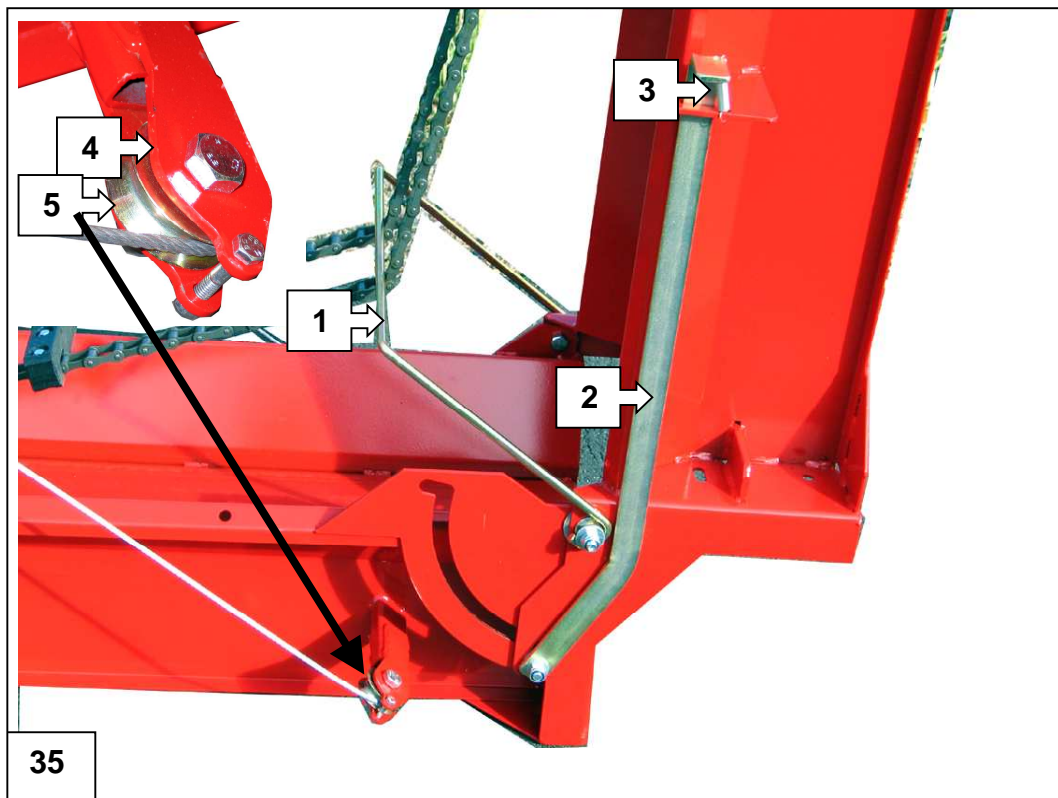
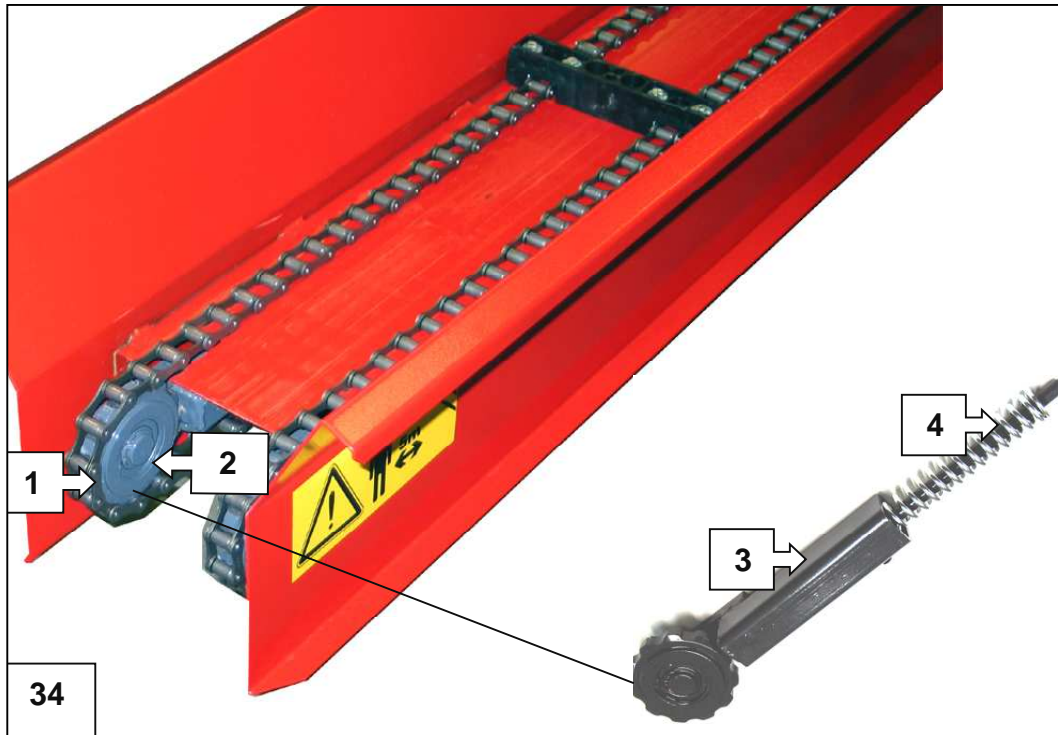


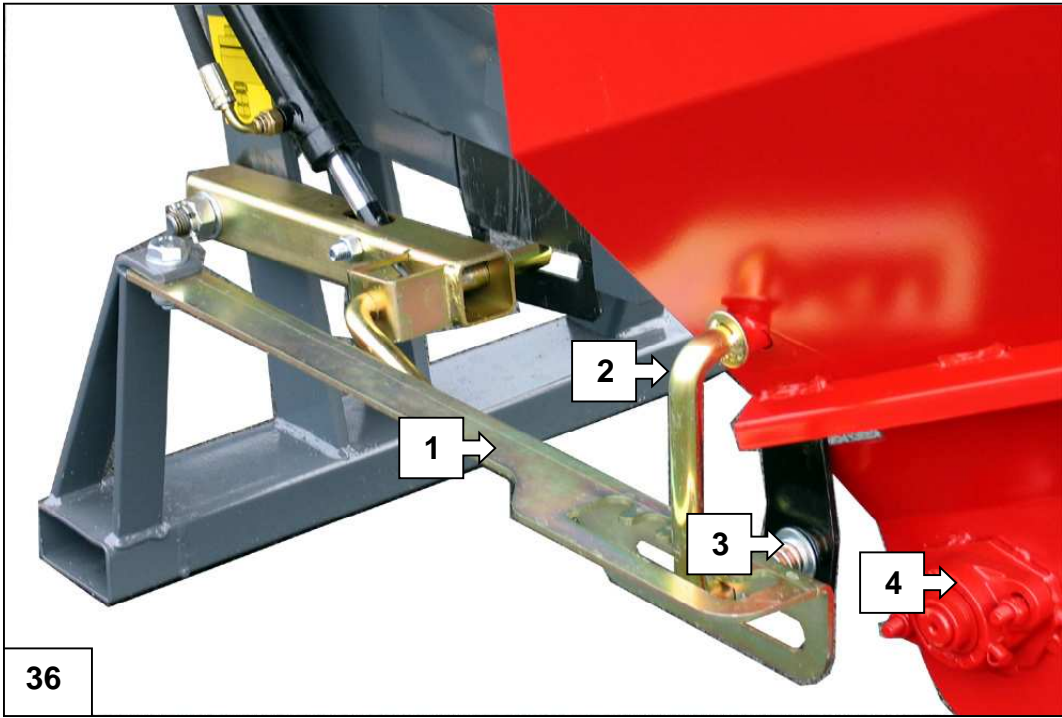












PALAX KS 35 / 35S

GB	Figure	Part	New ordering no.	Old ordering no.	Designation	Dimensions	Pc.
	1	1	10 879	3 039 001	Conveyor support		1
	1	2	10 656	3 024 001	Operating lever		1
	2	1	10 671	3 015 001	Blade cover		1
	2	2	10 740	3 017 001	Chute net		1
	3	1	10 592	OV19022	Keel roller		1
	3	2	10 543	O702004500	In-feed belt	200x4553	1
	3	3	10 583	2 804 001	Table extension		1
	3	4	10 620	2 821 001	Leg		1
	3	5	10 595	K2819010	Table extension roller		1
	3	6	31 284	LK2836010	Scraper		1
	3	7	10 596	OL62052RS	Bearing	6205 2RS	2
	3	8	10 597	K2820010	Roller shaft		1
	4	1	10 600	OV2014915	Rubber band		1
	4	2	10 604	K3040010	Lock		1
	4	3	10 607	OJP202565	Spring	2,0x25x65	1
	4	4	10 608	2 870 001	Hinge pin		1
	5	1	10 554	OH7200180	Gerotor	OMP 250	1
	5	2	10 546	3 009 001	Drive roller		1
	5	3	10 561	OLBPFL4	Plate flange bearing	Ø20	1
	6	1	10 564	3 021 001	Clamp		1
	6	2	10 574	K1801440	Table roller, upper		1
	6	3	10 579	7 522 164	Holder	Ø26,9	4
	7	1	10 729	3 027 001	Hand lever		1
	7	2	10 735	OJV202050	Spring	2,0x20x50	1
	7	3	10 082	OL60012RS	Bearing	6001 2RS	1
	7	4	13 679	DO6DV1BBCCZ180042	Valve		1
	7	5	10 686	3 007 001	Valve lever		1
	7	6	10 060	OL62012RS	Bearing	6201 2RS	1
	7	7	31 319	LK3011010	Guide		1
	7	8	10 073	OH1806105	Cylinder 50/36-680	3,5t	1
	7	8	11 190	OH1806500	Seal kit 50/36	3,5t	1
	7	8	10 071	OH706345	Cylinder 63/45-680	5,6t	1
	7	8	11 191	OH706345TS	Seal kit 63/45	5,6t	1
	8	1	10 544	K3042010	Table support		1
	8	2	10 062	OJV45385254	Spring	4,5x38x254	1
	8	3	10 008	OJV101168	Spring	1,0x11x68	1
	8	4	10 636	OL60022RS	Bearing	6002 2RS	1
	8	5	10 636	OL60022RS	Bearing	6002 2RS	1
	8	6	10 719	3 010 001	Pendulum		1
	8	7	10 716	OJP2520130	Spring	2,5x20x130	1
	8	8	10 711	3 044 001	Pusher		1
	9	1	10 622	3 004 001	Blade shaft		1
	9	2	10 755	3 025 001	Return lever		1
	9	3	14 549	DO6DE1BACDZ18020	Valve		1
	9	4	10 060	OL62012RS	Bearing	6201 2RS	2
	9	5	10 540	M225208M	Press pin	M8x35	1

GB	Part	New ordering no.	Old ordering no.	Designation	Dimensions	Pc.
9	6	14 321	3 020 001	Launch bar		1
9	7	10 510	3 003 001	Cylinder pin		1
9	8	13 681	OH70100	Spool shifter		1
10	1	10 502	3 002 001	Ram		1
10	2	31 318	LK3013010	Stop plate		1
10	3	10 794	3 013 001	Stopper		1
10	4	10 780	3 012 001	Stopper shaft		1
10	5	31 315	LK3031010	Wedge		1
10	6	10 579	7 522 164	Holder	Ø26,9	4
11	1	10 665	3 014 001	Guide		1
11	2	10 060	OL62012RS	Bearing	6201 2RS	1
11	3	10 082	OL60012RS	Bearing	6001 2RS	1
11	4	10 770	3 026 001	Lock		1
11	5	10 008	OJV101168	Spring	1,0x11x68	1
11	6	10 082	OL60012RS	Bearing	6001 2RS	1
11	7	10 735	OJV202050	Spring	2,0x20x50	1
11	8	10 081	OL63012RS	Bearing	6301 2RS	1
11	9	11 202	OJV2520130	Spring	2,5x20x130	1
12	1	10 540	M225208M	Press pin	M8x35	1
12	2	10 538	OJP252045	Spring	2,5x20x45	1
12	3	10 842	OHTMDFA3/4	Fill cap	3/4"	1
12	4	10 843	3 038 001	Lever		1
12	5	10 841	OH7012137	Lead-through	Ø22/10	1
12	6	10 832	3 033 001	Cover		1
12	7	10 803	3 032 001	Oil tank		1
12	8	10 103	OE5256T	Appliance inlet	32 A	1
13	1	10 826	K3037010	Piston		1
13	2	10 538	OJP252045	Spring	2,5x20x45	1
13	3	10 817	K3036010	Pump housing		1
13	4	10 820	OVK08	Ball	Ø8	1
13	5	10 821	OJP067420	Spring	0,6x7,4x20	1
13	6	10 643	OHSMC600173	Hose outlet	1/8"	1
14	1	10 024	OH1803200	Fill cap	1 1/2"	1
14	2	13 682	OHFIO1003	Filter	FIO 100/3	1
14	3	10 917	OHSFIO1003	Filter cartridge	FIO 100/3	1
14	4	10 736	K3029010	Handle		1
14	5	10 904	OE1204226	Starter	7,5 kW	1
15	1	10 855	2 846 001	Wedge adjustment handle		1
15	2	10 017	OV752003	Friction plate	Ø75	1
15	3	10 128	OAL20DIN2093	Spring washer		4
15	5	10 868	K2873010	Lock		1
15	6	10 607	OJP202565	Spring	2,0x25x65	1
16	1	11 197	OYV6AF750	Winch		1
16	2	10 993	K7007052	Guide block		2
16	3	10 482	OVA4500	Wire		1
17	1	10 644	HPLMA205HMLE3E3R00	Motor	4,5cm3	1
17	2	13 683	OK1180808061	Wedge	4x6,5	1
17	3	10 649	K3016010	Drive roller		1
17	4	10 648	K3045010	Bushing		1

GB	Part	New ordering no.	Old ordering no.	Designation	Dimensions	Pc.
17	5	13 684	OMM10C936	Nut	M12	1
17	6	10 650	K3006010	Pin		1
17	7	10 652	OV508926164	Sawbar	15" .325" 1,3	1
17	8	31 288	LK3005010	Flange		1
17	9	10 653	OV501840664	Saw-chain	64 .325" 1,3	1
18	1	10 913	OV6072001	Speed multiplier gear	1/3,8	1
18	2	10 943	HPLPB226DMLG6G6	Double pump	26+20	1
18	3	13 683	OK1180808061	Wedge	4x6,5	1
18	4	13 685	OVM0214	Bushing	GP2/14	1
18	5	13 688	OV3260005	Washer	GP2	1
18	6	13 684	OMM10C936	Nut	M12	1
19	1	10 170	OE75B31500	Electric motor	7,5 kW	1
19	2	10 896	OH7127230	Attachment flange	7,5/GP2	1
19	3	13 684	OMM10C936	Nut	M12	1
19	4	13 688	OV3260005	Washer	GP2	1
19	5	13 683	OK1180808061	Wedge	4x6,5	1
19	6	13 624	OV1808114B	Coupling, SM	Ø38	1
19	7	10 047	OV1808112B	Rubber coupling		1
19	8	13 619	OV1808111B	Coupling, pump	GP2	1
19	9	10 943	HPLPB226DMLG6G6	Double pump	26+20	1
20	1	10 950	OH120	Valve	APV	1
21	1	11 194	K1807104	Spool shifter		1
21	2	11 192	OH1807101	Lock-up part		1
22	1	10 988	OHDOVFC0001	Flow regulator	HTS	1
22	2	13 601	OH70S6dE1CACZ180040	Valve	HTS	1
22	3	13 681	OH70100	Spool shifter	HTS	1
22	4	31 298	3047001	Lever	HTS	1
23	1	10 986	OH403220	Cylinder	32/20-100	1
23	2	11 130	K1234001	Shift lever	HTS	1
24	1	15 321	DO6DE2BACCX080003	Joystick		1
24	2	31 294	3050001	Casing, Joystick		1
25	1	13 666	OHDO55513615R	Repair kit, joystick		1
25	2	13 664	OHDO28601002	Joystick cover		1
26	1	13 657	1YT3220100	Cylinder	32/20-100	1
26	2	15 324	DO6DT1031/2000029	Valve	Kuulapää	1
27	1	31 296	OH8545000	Oil cooler		1
27	2	15 587	OH8704881	Thermostat	NTB47CA1/2	1
30	1	10 991	2 602 005	Upper frame		1
30	2	10 995	K2626001	Attachment chain		2
30	3	10 994	2 601 005	Lower frame		1
31	1	10 554	OH7200180	Gerotor		1
31	2	14 989	OH7261502	Pressure relief valve		1
31	3	10 996	2 604 002	Drive shaft		1
32	1	10 998	OK70S32v2	Conveyor chain		1
32	2	10 999	K2607012	Scraper	30x40x200	10
32	3	11 000	OK70S32	Chain	8760	2
32	4	11 198	OK70002U	Attachment part	S32W	1
32	5	11 199	OK70001U	Extension	S32W	1
33	1	11 001	K2613010	Flap	05x120x200	1
33	2	11 002	2 608 001	Swing beam		1

GB						
Figure	Part	New ordering no.	Old ordering no.	Designation	Dimensions	Pc.
33	3	14 465	ORM16100C603	Lock cap bolt	M16x100	1
33	4	14 322	O2886010	Curtain		1
34	1	11 200	2 603 001	Return roller		2
34	2	10 596	OL62052RS	Bearing	6205 2RS	2
34	3	11 003	2 603 001	Return roller bracket		2
34	4	11 004	OJP5530340	Pressure-spring	5,5x30x340	2
35	1	11 006	2 621 010	Bow	Ø10x1100	1
35	2	11 007	2 605 010	Swing lock		1
35	3	10 008	OJV101165	Draw-spring	1,0x11x65	2
35	4	10 082	OL60012RS	Wire wheel	6001 2RS	2
35	5	11 008	2 620 010	Bearing		2
36	1	11 373	2 848 010	Locking lever		1
36	2	11 374	2 614 001	Hinge		1
36	3	11 375	OJP152565	Compression spring	1,5x25x65	1
36	4	10 997	OLUCFL205	Bearing	UCFL 205	1