

HAKKIPILKE®

Hakki Pilke Raven 33 spare parts manual

**TP Silva ltd**

Valimotie 1, FI-85800 Haapajärvi, FINLAND

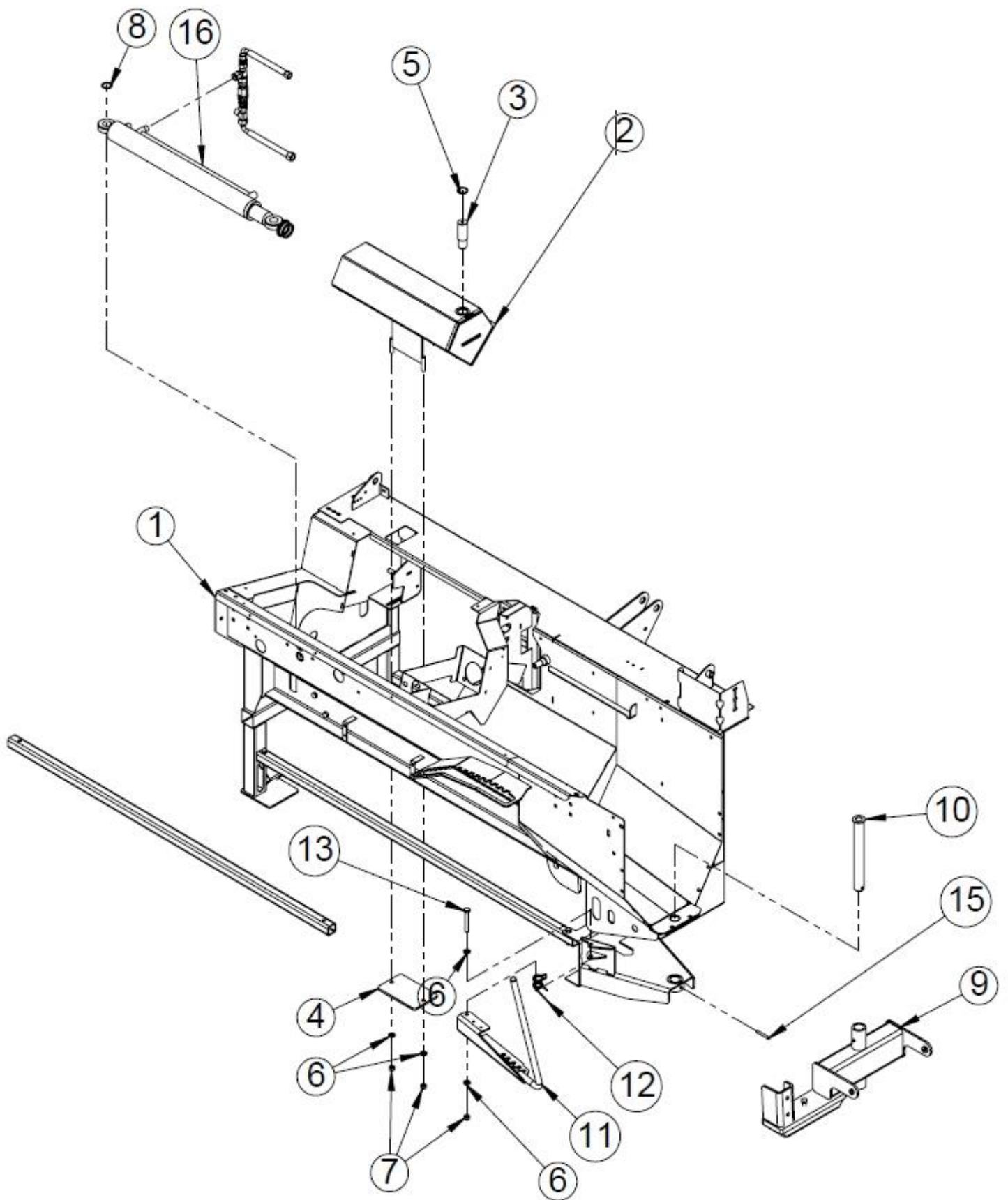
Tel. +358 8 772 7300, Fax +358 8 772 732

info@hakkipilke.fi, www.hakkipilke.com

Table of contents

1	Frame.....	4
2	Frame parts list.....	5
3	Upper section of the output conveyor.....	6
4	Lower section of the out-feed conveyor.....	7
5	Out-feed conveyor lower section parts list.....	8
6	Out-feed conveyor belt.....	9
7	Machine assembly.....	10
8	Machine assembly parts list.....	11
9	Saw drive head (50034544).....	14
10	Saw drive head parts list.....	15
11	Multiplier gear assembly.....	16
12	Stroke limiter valve.....	17
13	Relief valve (50033298).....	18
14	Manifold + relief valve (50033297).....	19
15	Feed control valve.....	20
16	High-speed valve + manifold (50033294).....	21
17	Splitting cylinder check valve + T-junction (50033292).....	22
18	Splitting blades and blade adjuster.....	23
19	Sawing and splitting control valve (50033283).....	24
20	Log measuring device (50025531).....	25
21	Splitting guard (50022657).....	26
22	Oil tank (50019763).....	27
23	Valve press (50017574).....	28
24	Operating lever (50017144).....	29
25	Saw chain pump assembly (50016796).....	30
26	Log table extension (50012752).....	31
27	Log press assembly (50004099).....	32
28	Log press arch (50004099).....	33
29	Electrical parts.....	34
30	Electrical parts list.....	35
31	Electric motor and pump.....	36
32	Connector set for log table, accessory.....	37
33	Auxiliary device control valve (50033299), accessory.....	38

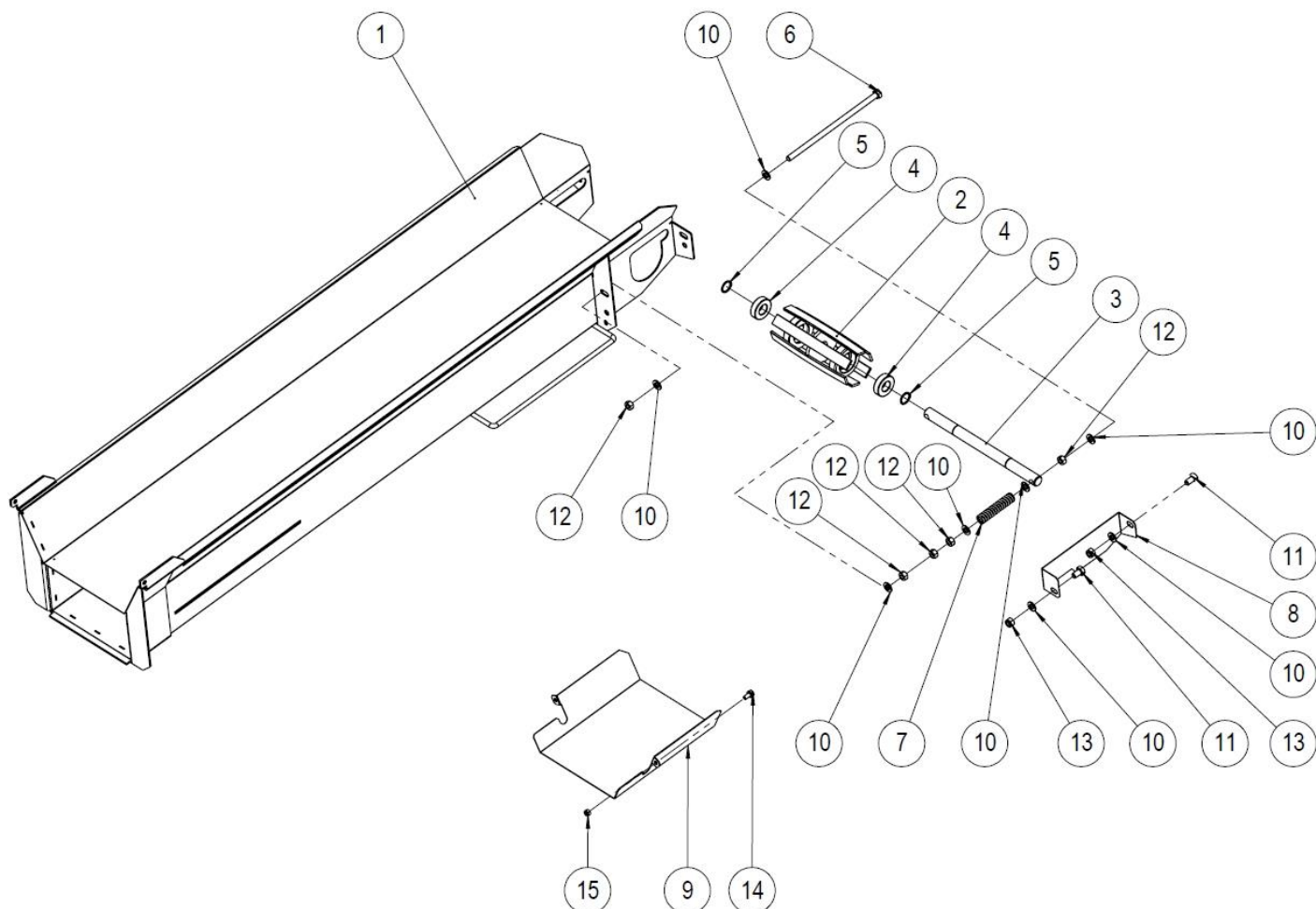
1 Frame



2 Frame parts list

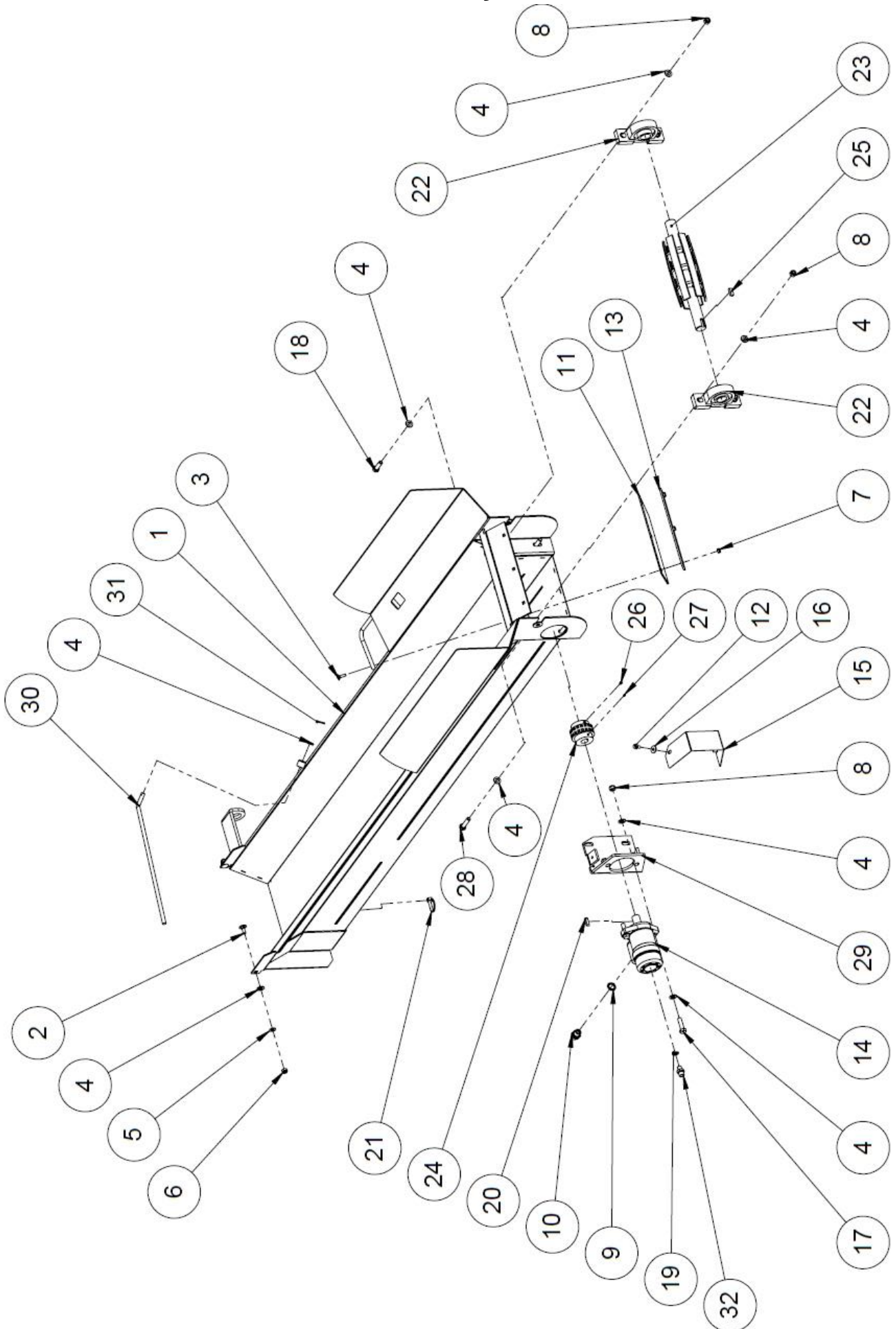
No.	Item	Part number	Dimensions	Pcs
16	Cylinder	97875	63/50-580	1
15	Spring pin	96079	8x60	1
13	Hex screw	96111	M12x90	1
12	Double torsion spring	95432		1
11	Out-feed conveyor stopper	50012586		1
10	Turning device pin	50006392		1
9	Out-feed conveyor swivel device	10600		1
8	Retaining ring	96044	30	1
7	Locking nut	96218	M12	3
6	Washer	96058	A12	4
5	Retaining ring	96240	35	1
4	Slide support plate	50019558		1
3	Pin	50002779		1
2	Slide HP30	50019645		1

3 Upper section of the output conveyor



No.	Part number	Name	Pcs
1	10126	Upper frame of the conveyor	1
2	50000211	Upper roller	1
3	10132b	Upper roller shaft	1
4	95050	Bearing 6205 2 rs	2
5	96042	Retaining ring 25	2
6	96355	Hex screw 933 M12x280	2
7	95543	Pressure spring d4 D22 L100	2
8	10868	Upper roller guard	1
9	10858	Protective plate for the roller	1
10	96058	Washer A12	14
11	96144	Hex head screw M12x20	2
12	96200	Hex nut M12	10
13	96218	Locking nut M12	2
14	96172	Flange bolt M8x16	2
15	96222	Locking nut M8	2

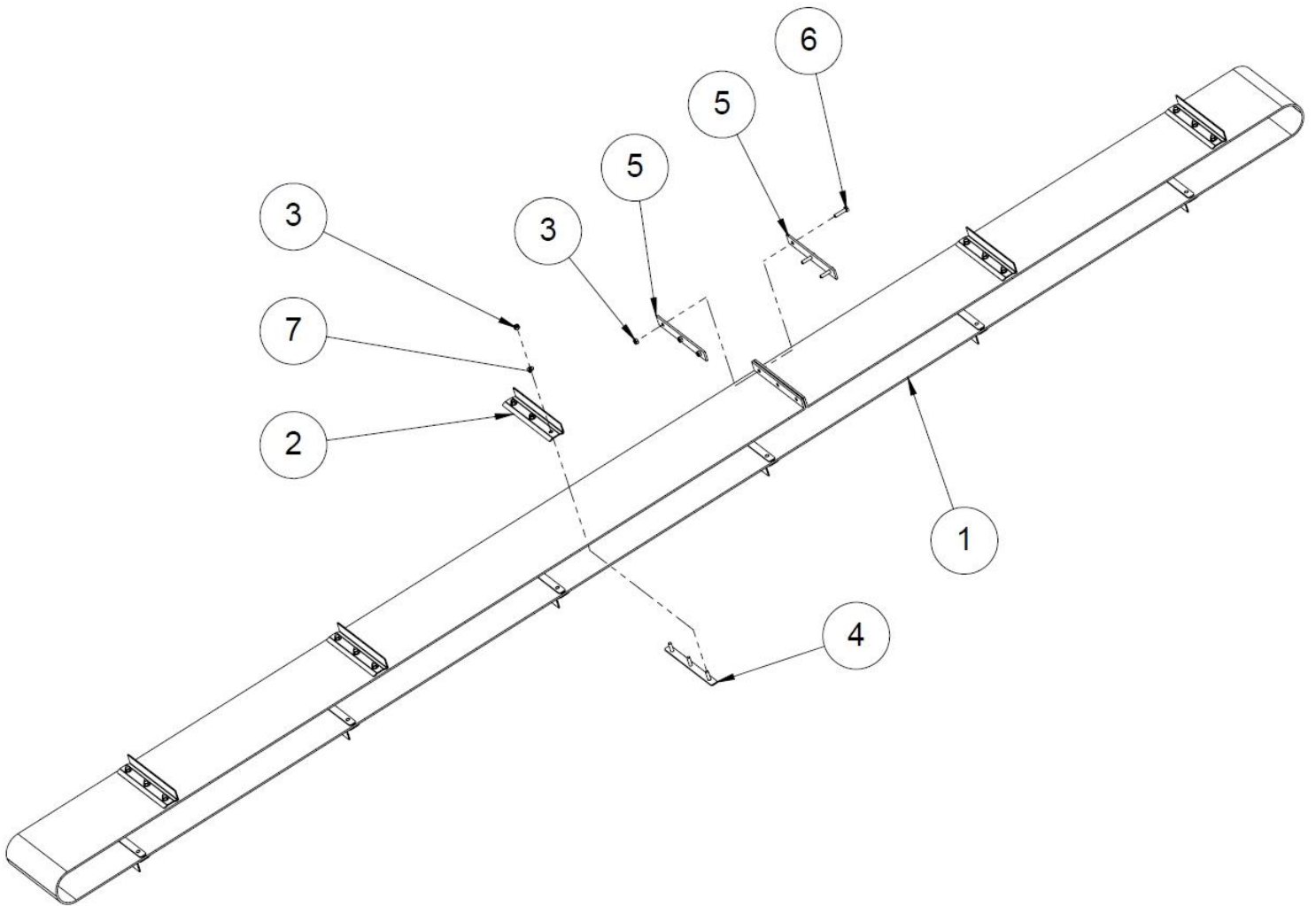
4 Lower section of the out-feed conveyor



5 Out-feed conveyor lower section parts list

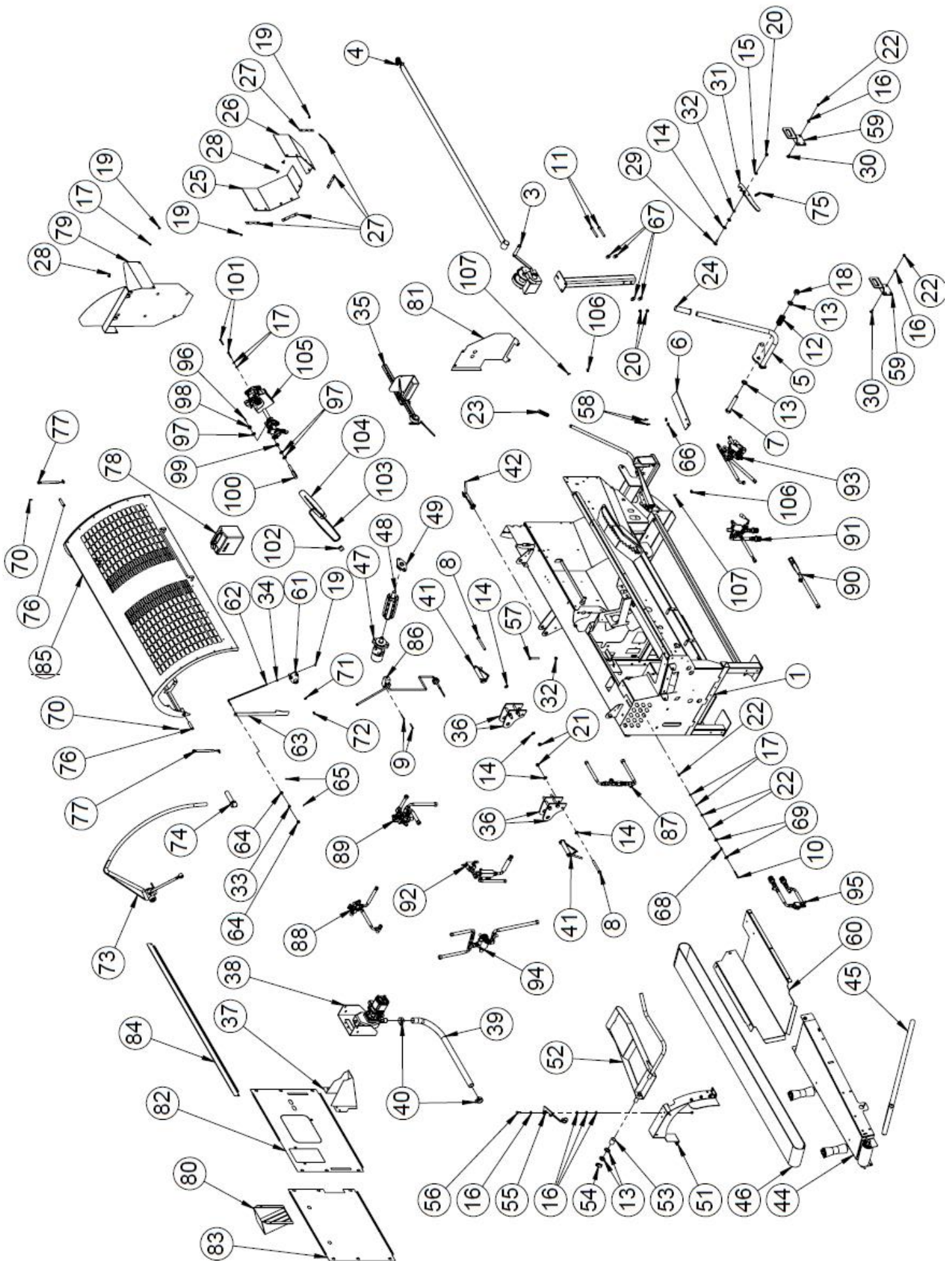
No.	Part number	Item + dimensions	Pcs
1	50016683	Lower frame of the conveyor	1
2	96186	Lock screw DIN 603 M10x25	2
3	96191	Locking screw DIN 603 M8x25	3
4	96058	Washer DIN 125 A12	15
5	96049	Washer DIN 125 A10	2
6	96068	Locking nut DIN 985 M10	2
7	96222	Locking nut DIN 985 M8	3
8	96218	Locking nut DIN 985 M12	6
9	97213	USIT 1/2"	2
10	97203	Double nipple 3/8" - 1/2"	2
11	95130	Conveyor rubber flap	1
12	96172	Flange bolt M8x16	2
13	61172	Conveyor rubber flap fastening rod	1
14	97847	Hydraulic motor 100 ccm	1
15	47654	Guard	1
16	96085	Washer DIN 9021 M8	2
17	96149	Hex screw DIN 933 M12x45	2
18	96148	Hex screw DIN 933 M12x40	2
19	97211	USIT 1/4"	1
20	97371	Wedge	1
21	96242	Ring pin 8 mm	1
22	95058	Bearing unit UCP 207	2
23	50015676	Drive roller	1
24	95448	Chain coupling	1
25	47642	Wedge	1
26	96228	Socket set screw DIN 916 M8x8	2
27	96362	Socket set screw DIN 916 M6x8	2
28	96108	Hexagonal screw DIN 931 M12x50	2
29	50015466	Motor fastening plate	1
30	10819	Belt support	1
31	96246	Split pin DIN 94 3.2x32	1
32	97201	Double nipple 1/4"-3/8"	1

6 Out-feed conveyor belt



No.	Part number	Name	Pcs
1	95126	Conveyor belt	1
2	10135	Cleat	11
3	96222	Locking nut DIN 985 M8	36
4	10863	Plate fastening	11
5	10136	Connection plate for the belt	2
6	96166	Hex screw DIN 933 M8x35	3
7	96061	Washer DIN 125 A8	33

7 Machine assembly



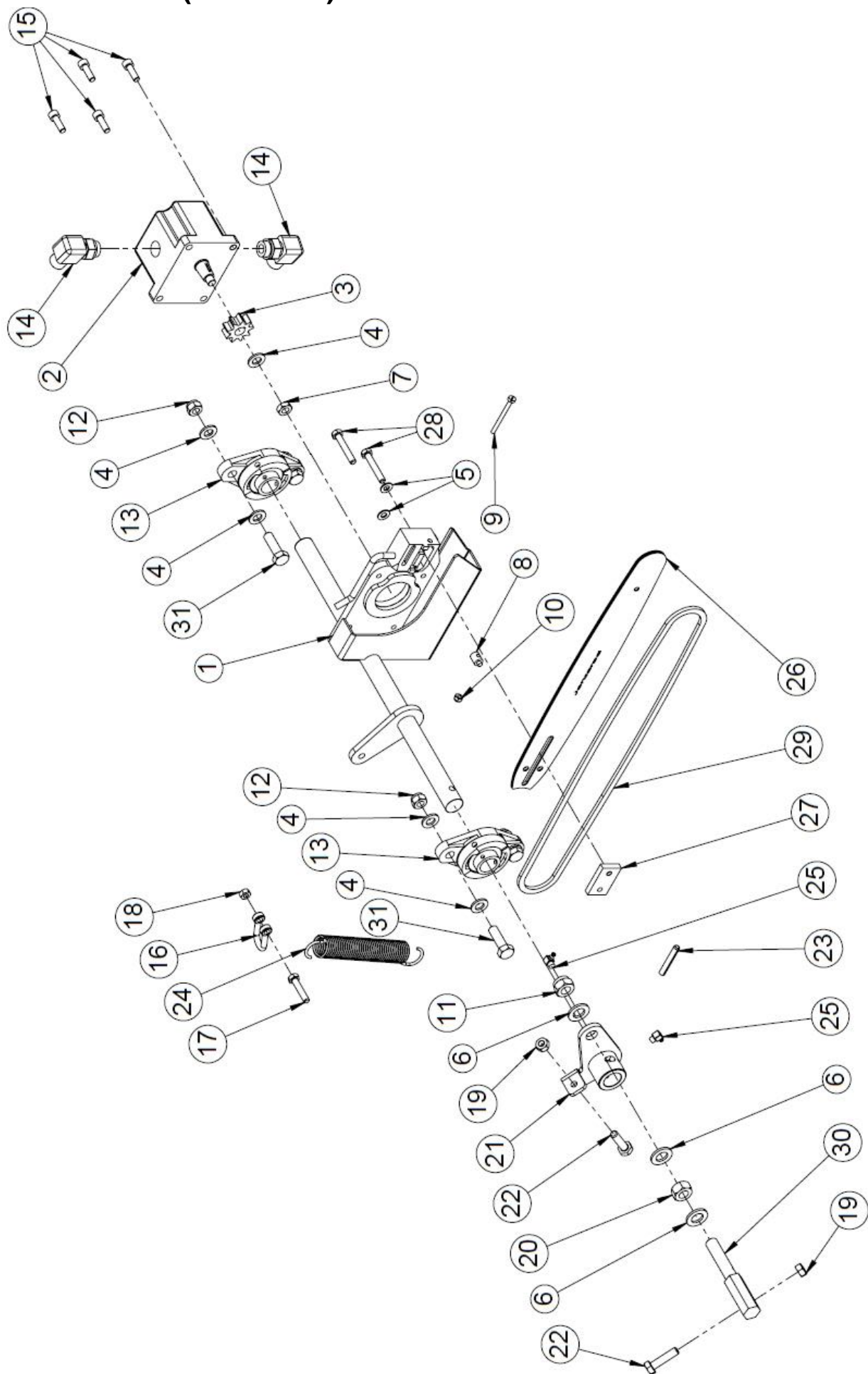
8 Machine assembly parts list

No.	Item	Part number	Dimensions	Pcs
107	Hex socket screw, flush head	96386	M6x20	2
106	PVC button	95594		2
105	Drive head HP33	50034544		1
104	Saw bar, 16"	95147		1
103	Saw chain 67 links .325" 1.5 mm	95416		1
102	Saw bar fastening plate	10044		1
101	Hex screw	96291		2
100	Operating rod pin	50025148		1
99	Hex nut	96195	M16	1
98	Locking nut	96219	M16	1
97	Washer	96059	A16	3
96	Lubrication nipple M8x1	96276		1
95	In-feed conveyor valve assembly	50016294		1
94	Relief valve	50033298		1
93	In-feed conveyor valve	50033289		1
92	Manifold relief valve kit	50033297		1
91	Accessory valve	50033299		1
90	Stroke limit valve kit	50033300		1
89	Cutting and splitting valve	50033283		1
88	Feed valve	50033296		1
87	Check valve kit	50033292		1
86	Saw chain oil pump	50016796		1
85	Upper guard	50029811		1
84	Baffle	37447		1
83	Oil tank guard plate	50020330		1
82	Gear guard plate	50020329		1
81	End plate	50032702		1
80	Sawdust guide	37551		1
79	Splitting guard	50022657		1
78	Oil container 3l	95647		1
77	Gas spring with ends 350 Nm	95539		2
76	Cage pin	47967		2
75	Draw spring	95423		1
74	Handle assembly	10509		1
73	Operating lever	50017144		1
72	Lubrication nipple M6X1 45 GR	96272		1
71	Retaining ring	96038	16	1
70	Spring pin	96354	6x24	2
69	Washer	96082	M8	2
68	Shackle bushing	50016647		1
67	Washer	96340	M12	4
66	Washer	96085	M8	2
65	Socket set screw		M6x10	2
64	Stopper	50009248		2

63	Blocking plate	50017496		1
62	Safety rod	50017568		1
61	Valve press assembly	50017574		1
60	Log table cover plate	50035528		1
59	Lifting lug	50028935		2
58	Hex screw	96161	M8x20	2
57	Hex screw	96171	M12x80	1
56	Hex screw	96133	M10x30	1
55	Extension transport lock	50035605		1
54	Ring pin 8 mm	96242		1
53	Intermediate bushing	50036302		1
52	Log clamp	50003671		1
51	Log clamp	50004099		1
50	Extension attaching plate	50019742		1
49	UC 205 Bearing	95318		1
48	In-feed conveyor drive roller	50000467		1
47	Hydraulic motor EPM 400	97309		1
46	In-feed conveyor belt	95680		1
45	Support for log table extension	50012751		1
44	Log table extension	50012752		1
43	Oil tank HP30	50019763		1
42	Push bar pin 25x130	95716		1
41	Drawbar pin 28x130	95717		2
40	Steel hose clamp 40-32	97850		2
39	Suction pipe (TR model)	97604		1
38	Multiplier kit	50033342		1
37	Sawdust trough	50004189		1
36	Lifting arm lug	37454		4
35	Log length limiter	50025531		1
34	Hex nut	96196	M8	1
33	Hex nut	96199	M10	1
32	Hex nut	96200	M12	2
31	Conveyor locking latch	47089		1
30	Lock screw	96186	M10x25	2
29	Lock screw	96189	M12x40	1
28	Lock screw	96187	M8x20	3
27	Fastening plate	50035504		5
26	Splitting groove mat	50032640		1
25	Splitting groove mat	50032640		1
24	Sheath 32 mm	95648		1
23	Handle	95034		1
22	Locking nut	96068	M10	6
21	Locking nut	96211	M14	6
20	Locking nut	96218	M12	3
19	Locking nut	96222	M8	4
18	Locking nut	96214	M24	1
17	Washer	96061	A8	5
16	Washer	96049	A10	6

15	Washer	96058	A12	1
14	Washer	96051	A14	14
13	Washer	96054	A24	4
12	Pressure spring	95646		1
11	Hex screw	96111	M12x90	2
10	Hex screw	96126	M8x60	1
9	Hex screw	96336	M6x45	2
8	Hex screw	96295	M14x120	6
7	Hex screw	96343	M24x150	1
6	Splinter guard	50012933		1
5	Blade adjustment	50004469		1
4	Winch strap	95068		1
3	Winch with break 750 kg	95412		1
2	Winch fastening pipe	10825		1
1	Frame assembly hp30	50019607		1

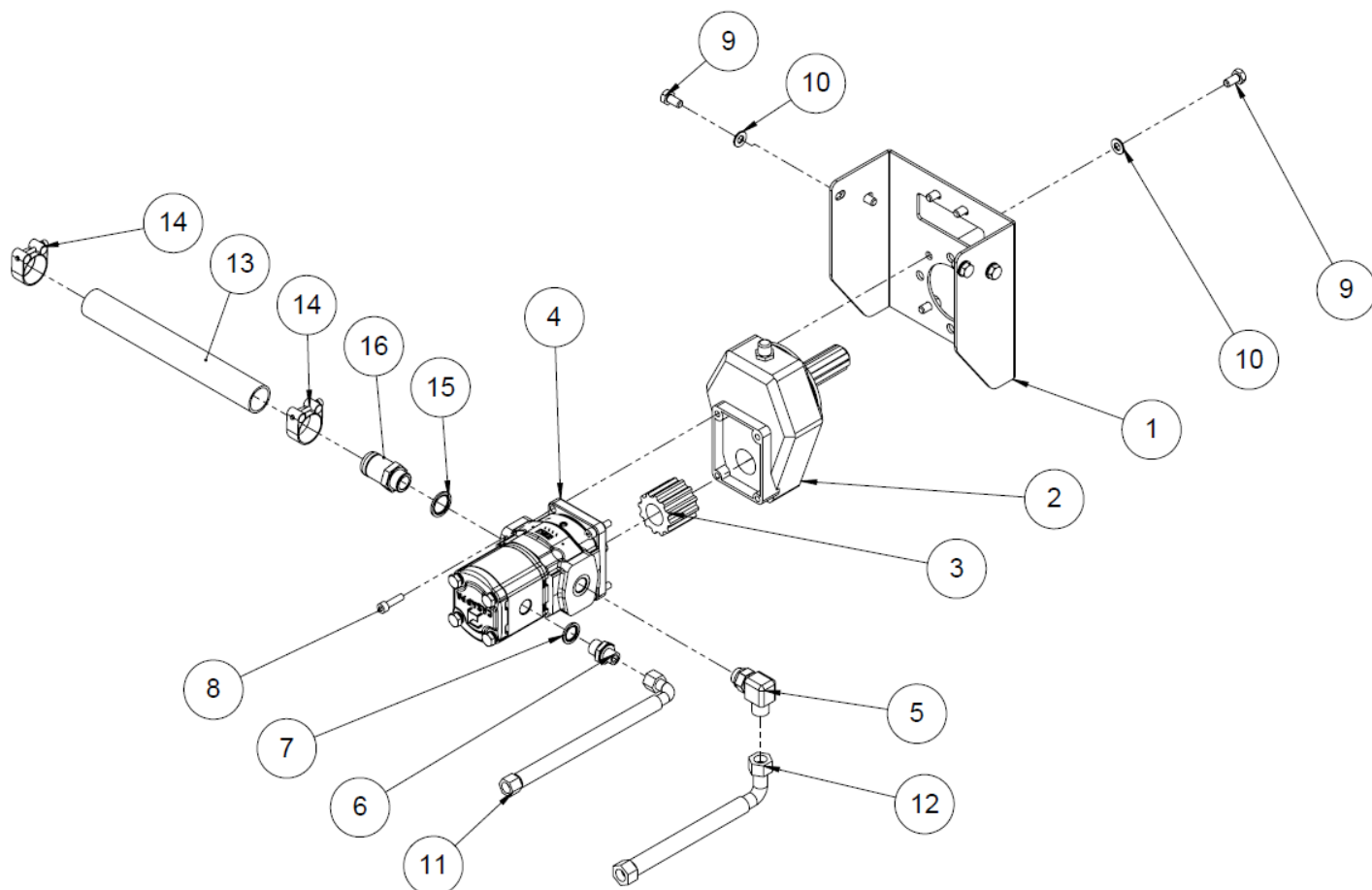
9 Saw drive head (50034544)



10 Saw drive head parts list

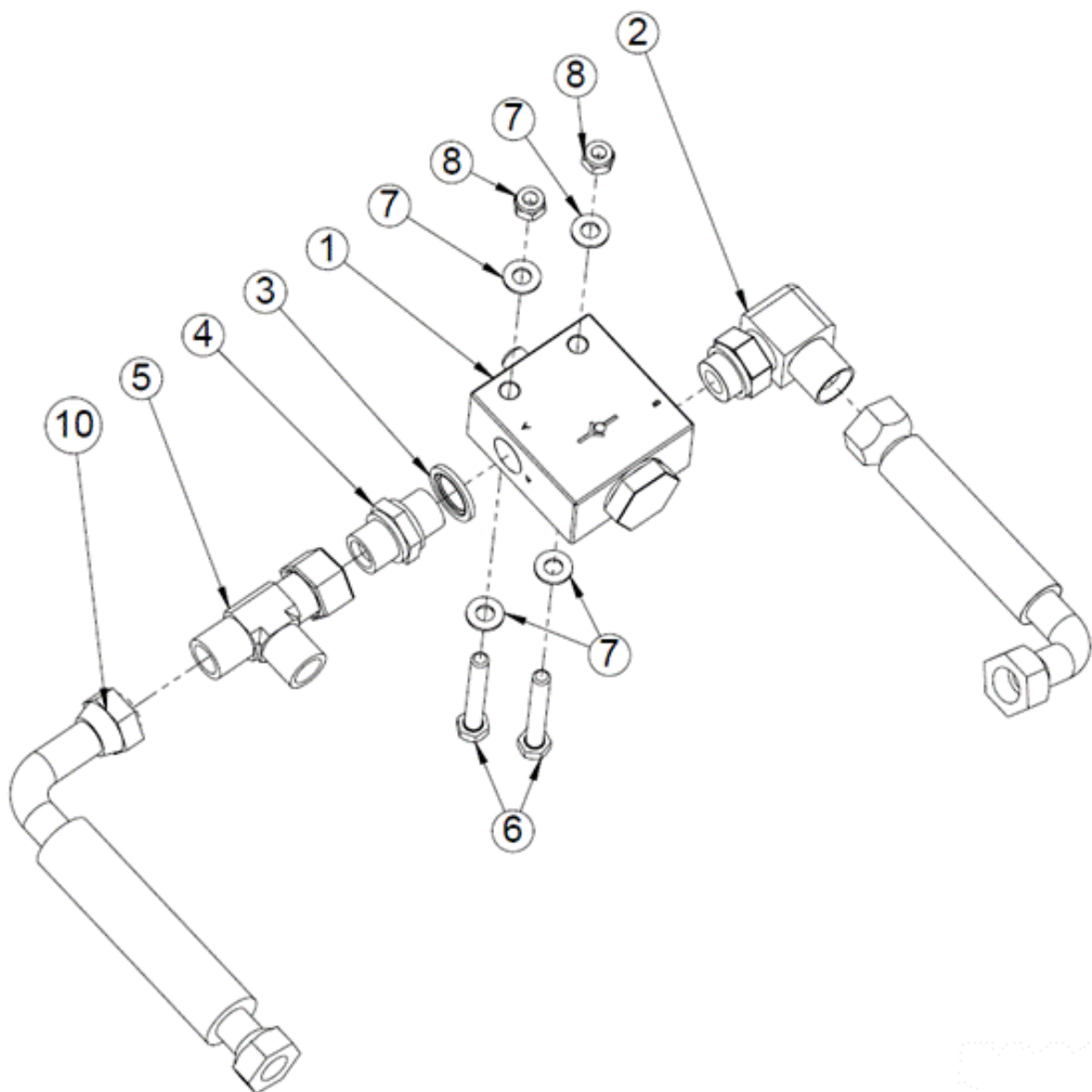
No.	Item	Part number	Dimensions	Pcs
31	Hex screw	96148	M12x40	4
30	Operating rod pin	50025148		1
29	Saw chain	95416	67 links 0.325 1.5 mm	1
28	Hex screw	96291	M8x50	2
27	Saw bar fastening plate	10044		1
26	Saw bar	95147	16"	1
25	Lubrication nipple	96275	M8x1 90 GR	2
24	Draw spring / galvanised	95403	3.5x30x180	1
23	Spring pin	96078	8x50	1
22	Hex screw	96129	M10x40	2
21	Saw drive joint	50017118		1
20	Hex nut	96195	M16	1
19	Hex nut	96199	M10	2
18	Hex nut	96196	M8	1
17	Hex screw	96123	M8x40	1
16	Shackle	96408		1
15	Hex socket screw	96035	M8x25	4
14	Directional elbow nipple	97247	1/2"	2
13	Bearing	95318	UC 205	2
12	Locking nut	96218	M12	4
11	Locking nut	96219	M16	1
10	Locking nut	96221	M6	1
9	Slot head screw	96266	M6x60	1
8	Bar tightening pin	10046		1
7	Hex nut	96206	M12	1
6	Washer	96059	A16	3
5	Washer	96061	A8	2
4	Washer	96058	A12	9
3	Drive wheel	50010841		1
2	Saw motor	97636		1
1	Drive end frame	50019768		1

11 Multiplier gear assembly



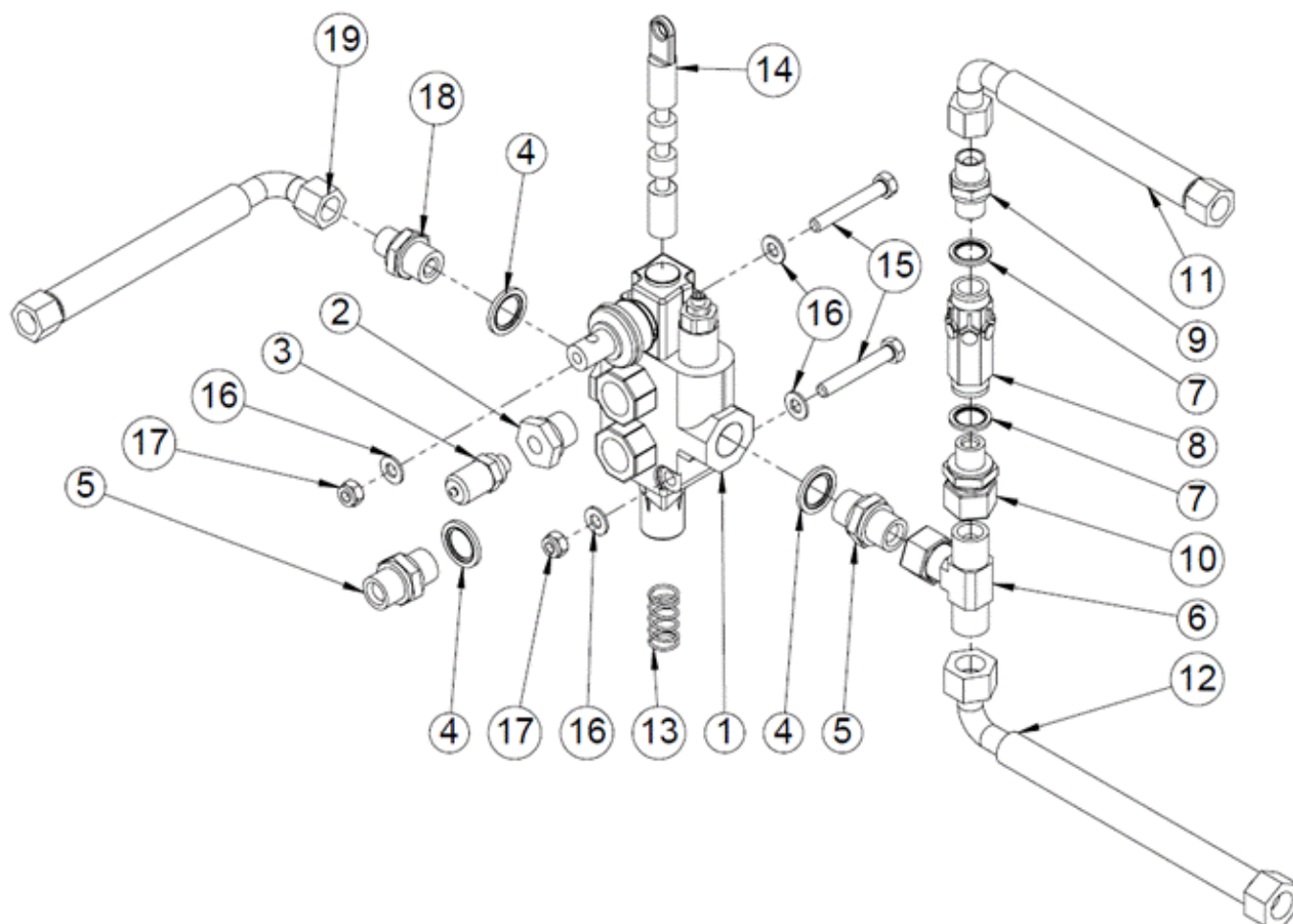
No.	Item	Part number	Dimensions	Pcs
16	Suction connector	97767	3/4" x 32mm	1
15	USIT	97214	3/4"	1
14	Steel hose clamp	97850	40-32	2
13	Suction hose	97604	Ø32 L=890 mm	1
12	Hydraulic hose	97184	2,000 x 1/2"	1
11	Hydraulic hose	97050	1,100 x 3.8"	1
10	Washer	96049	A10	10
9	Hex screw	96138	M10x20	10
8	Hex socket screw	96341	M8x30	4
7	USIT	97213	1/2"	1
6	Double nipple	97203	3/8" x 1/2"	1
5	Directional elbow nipple	97247	1/2"	1
4	Hydraulic pump	97325		1
3	Splined bushing for the pump	95612		1
2	Multiplier gear	95611		1
1	Gear mounting	50010155	PL4	1

12 Stroke limiter valve



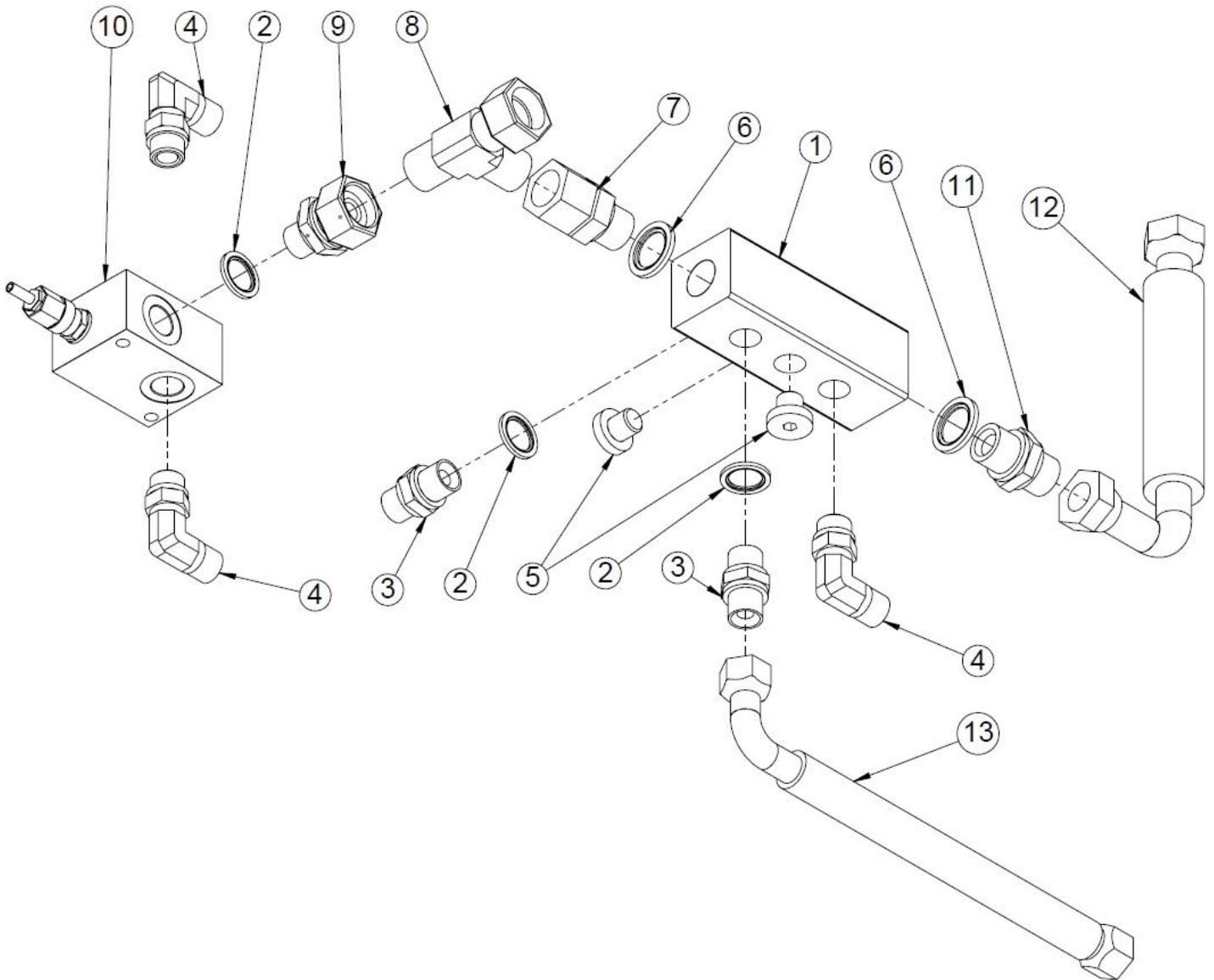
No.	Item	Part number	Dimensions	Pcs
10	Hydraulic hose	97111	1/2" x 1200	1
9	Locking nut	96222	M8	2
8	Washer	96061	A8	4
7	Hex screw	96125	M8x55	2
6	Hydraulic hose	97014	1/2" x 750	1
5	Adjustable L connector	97228	1/2"	1
4	Double nipple	97204	1/2" x 1/2"	1
3	USIT	97213	1/2"	1
2	Directional elbow nipple	97247	1/2"	1
1	Stroke limiter valve	97635		1

13 Relief valve (50033298)



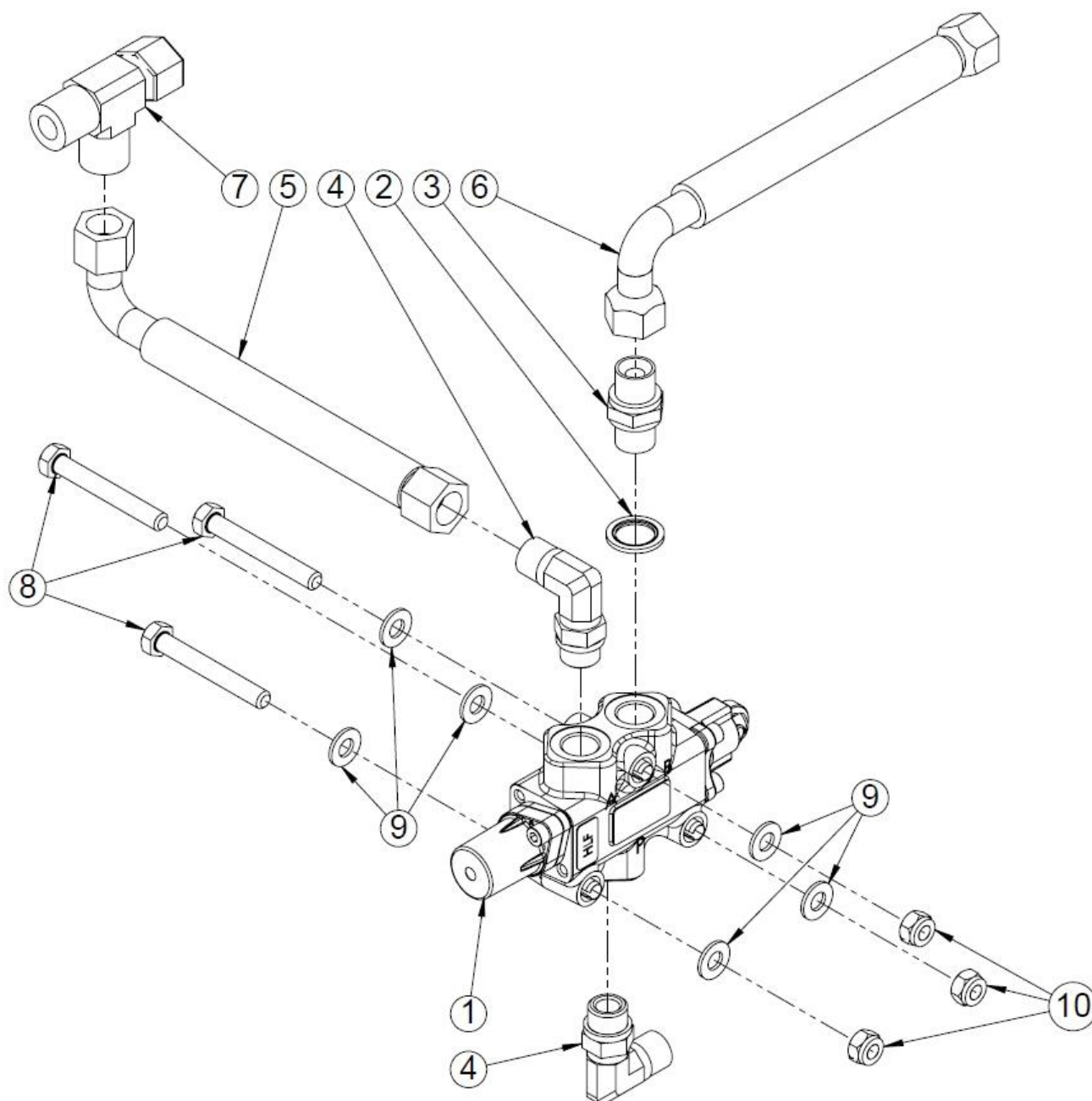
No.	Item	Part number	Dimensions	Pcs
19	Hydraulic hose	97023	300 x 3/8"	1
18	Double nipple	97203	3/8" x 1/2"	1
17	Locking nut	96222	M8	2
16	Washer	96061	A8	4
15	Hex screw	96125	M8x55	2
14	Valve shaft	97907	SD 4-1	1
13	Pressure spring	95290	Ø1.6x 17.2 x33	1
12	Hydraulic hose	97059	750 x 1/2"	1
11	Hydraulic hose	97008	700 x 3/8"	1
10	Connecting nipple	97218	3/8" x 1/2"	1
9	Double nipple	97202	3/8" x 3/8"	1
8	Check valve	97251	3/8" 0.5 bar	1
7	USIT	97212	3/8"	2
6	Adjustable T connector	97229	1/2"	1
5	Double nipple	97204	1/2" x 1/2"	2
4	USIT	97213	1/2"	3
3	Pressure measurement fitting	97378	1/4"	1
2	Reducer fitting	97580	1/2" x 1/4"	1
1	Manual directional valve	97842		1

14 Manifold + relief valve (50033297)



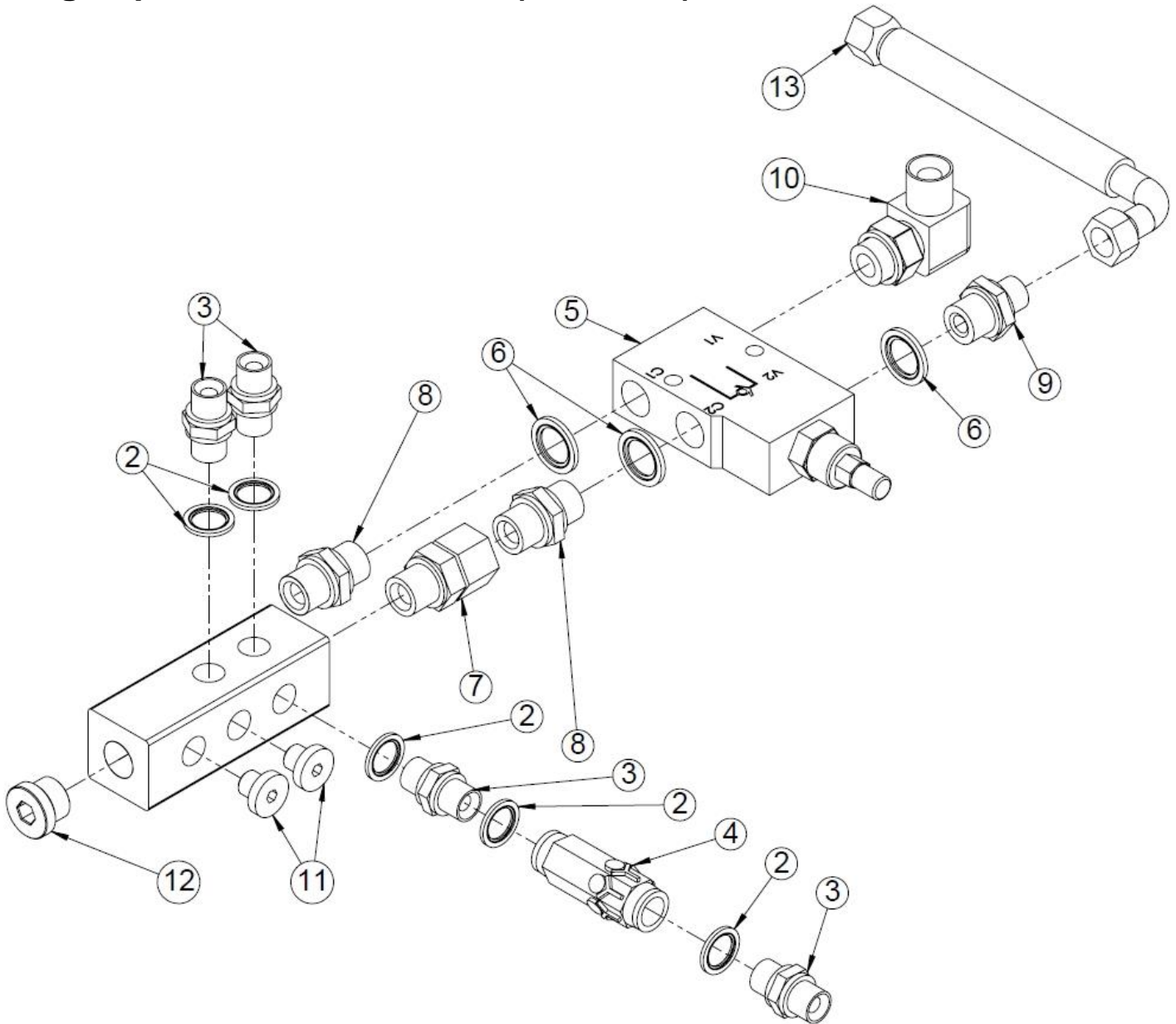
No.	Item	Part number	Dimensions	Pcs
13	Hydraulic hose	97025	1,000 x 3/8"	1
12	Hydraulic hose + guard	97111	1,200 x 1/2"	1
11	Double nipple	97204	1/2" x 1/2"	1
10	Relief valve	97411		1
9	Connecting nipple	97218	3/8" x 1/2"	1
8	Adjustable L connector	97228	1/2"	1
7	Connecting nipple	97216	1/2" x 1/2"	1
6	USIT	97213	1/2"	2
5	Plug	97260	3/8"	2
4	Directional corner nipple	97250	3/8"	3
3	Double nipple	97202	3/8" x 3/8"	2
2	USIT	97212	3/8"	3
1	Manifold	50027314		1

15 Feed control valve



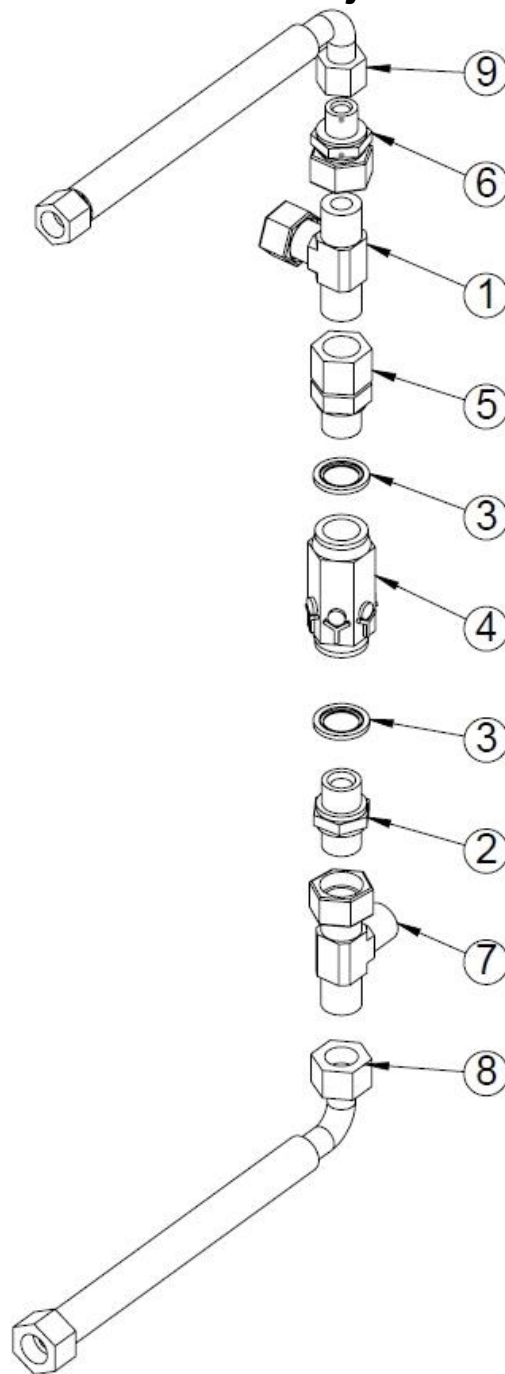
No.	Item	Part number	Dimensions	Pcs
10	Locking nut	96222	M8	3
9	Washer	96061	A8	6
8	Hex screw	96126	M8x60	3
7	Adjustable L connector	97234	3/8"	1
6	Hydraulic hose	97044	450 x 3/8"	1
5	Hydraulic hose	97008	700 x 3/8"	1
4	Directional corner nipple	97250	3/8"	2
3	Double nipple	97202	3/8" x 3/8"	1
2	USIT	97212	3/8"	1
1	Valve	97522		1

16 High-speed valve + manifold (50033294)



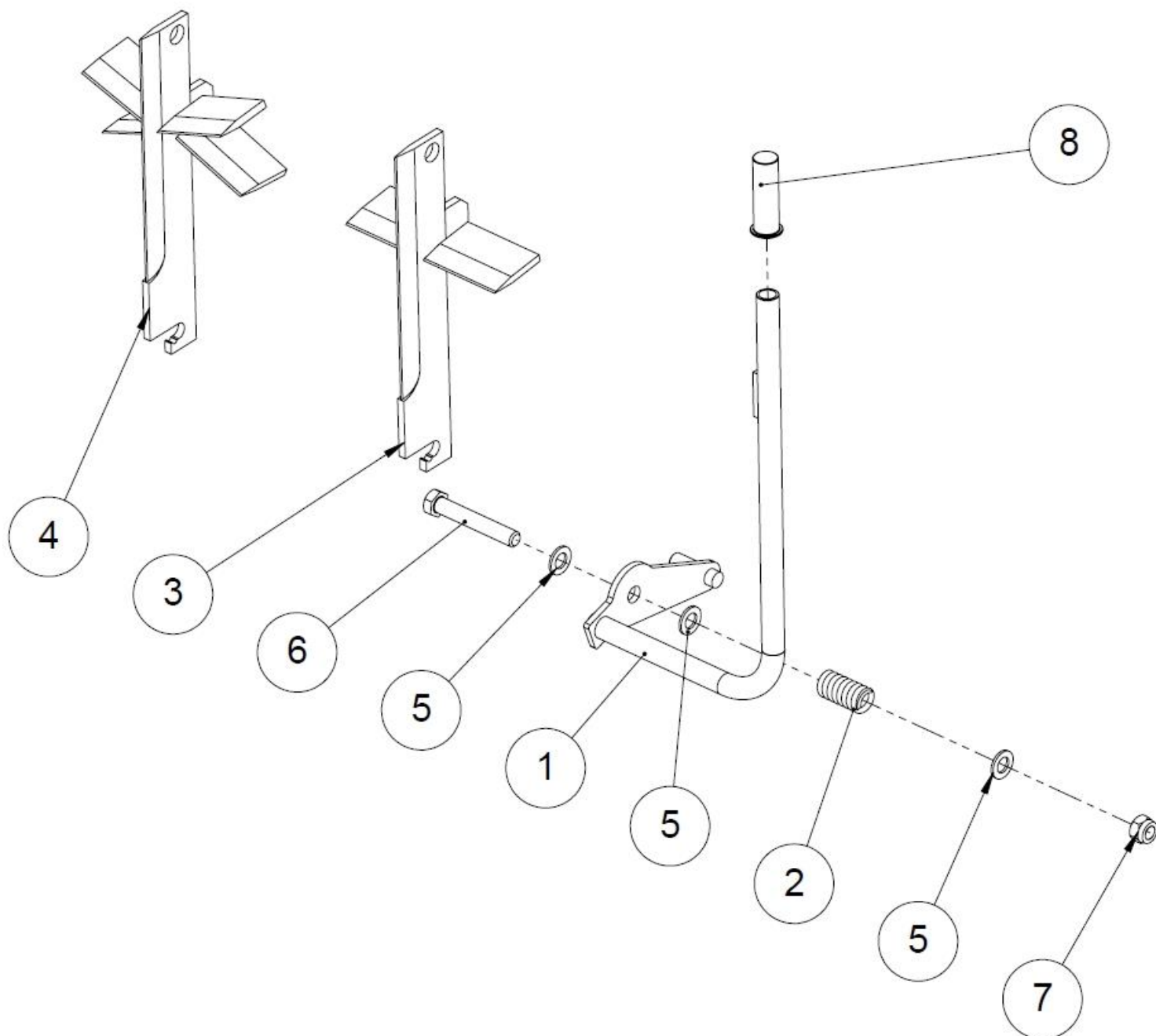
No.	Item	Part number	Dimensions	Pcs
13	Hydraulic hose	97044	450 x 3.8"	1
12	Plug	97261	1/2"	1
11	Plug	97260	3/8"	2
10	Directional elbow nipple	97247	1/2"	1
9	Double nipple	97203	3/8" x 1/2"	1
8	Double nipple	97204	1/2" x 1/2"	2
7	Connecting nipple	97216	1/2" x 1/2"	1
6	USIT	97213	1/2"	4
5	Speed valve	97591	1/2"	1
4	Check valve	97251	3/8" 0.5 bar	1
3	Double nipple	97202	3/8" x 3/8"	4
2	USIT	97212	3/8"	5
1	Manifold	50027314		1

17 Splitting cylinder check valve + T-junction (50033292)



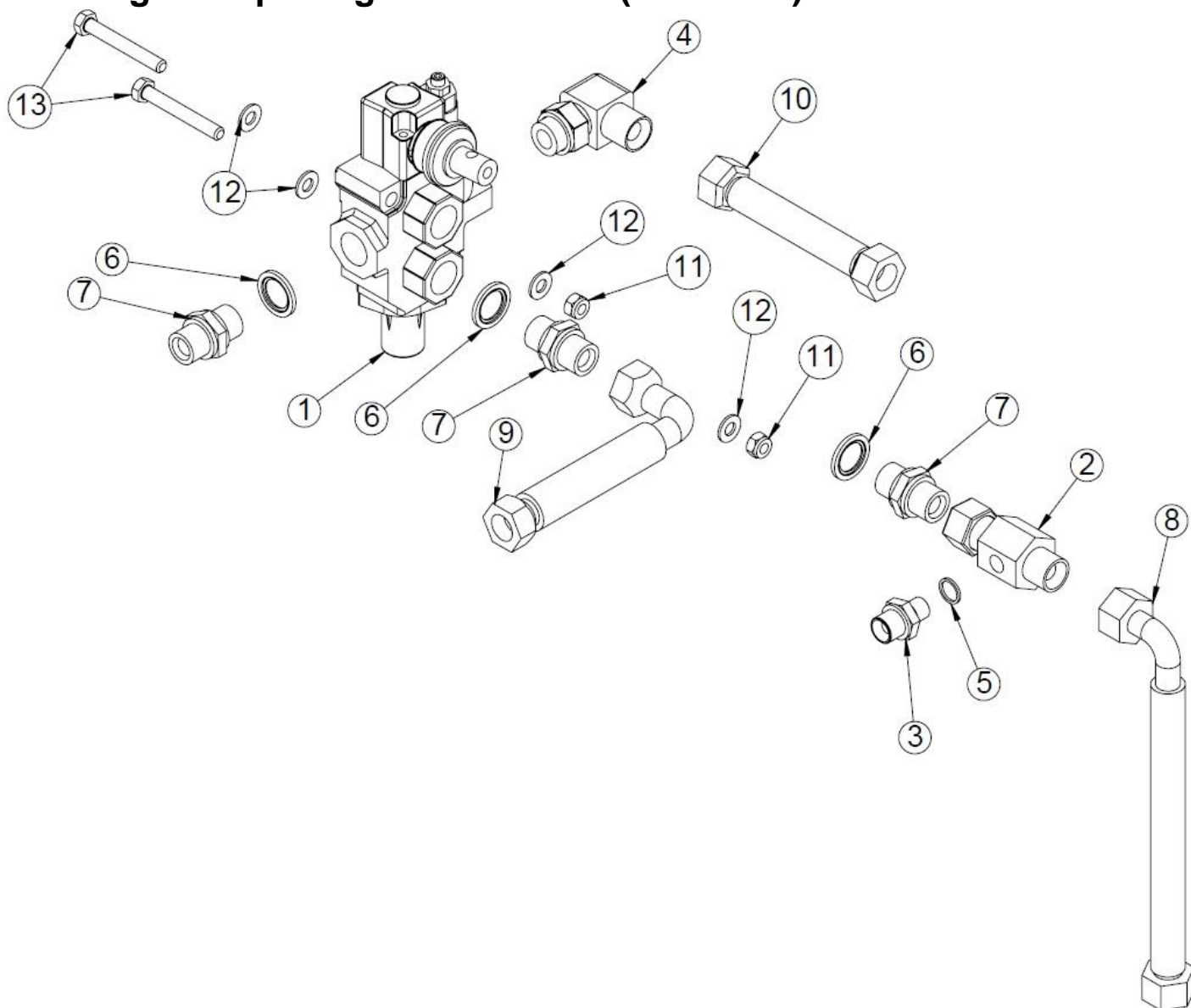
No.	Item	Part number	Dimensions	Pcs
9	Hydraulic hose	97178	850 x 3/8"	1
8	Hydraulic hose + fabric cover	97058		1
7	Adjustable L connector	97228	1/2"	1
6	Connecting nipple	97218	3/8" x 1/2"	1
5	Connecting nipple	97216	1/2" x 1/2"	1
4	Check valve	97252	1/2" 0.5 bar	1
3	USIT	97213	1/2"	2
2	Double nipple	97204	1/2" x 1/2"	1
1	Adjustable T connector	97229	1/2"	1

18 Splitting blades and blade adjuster



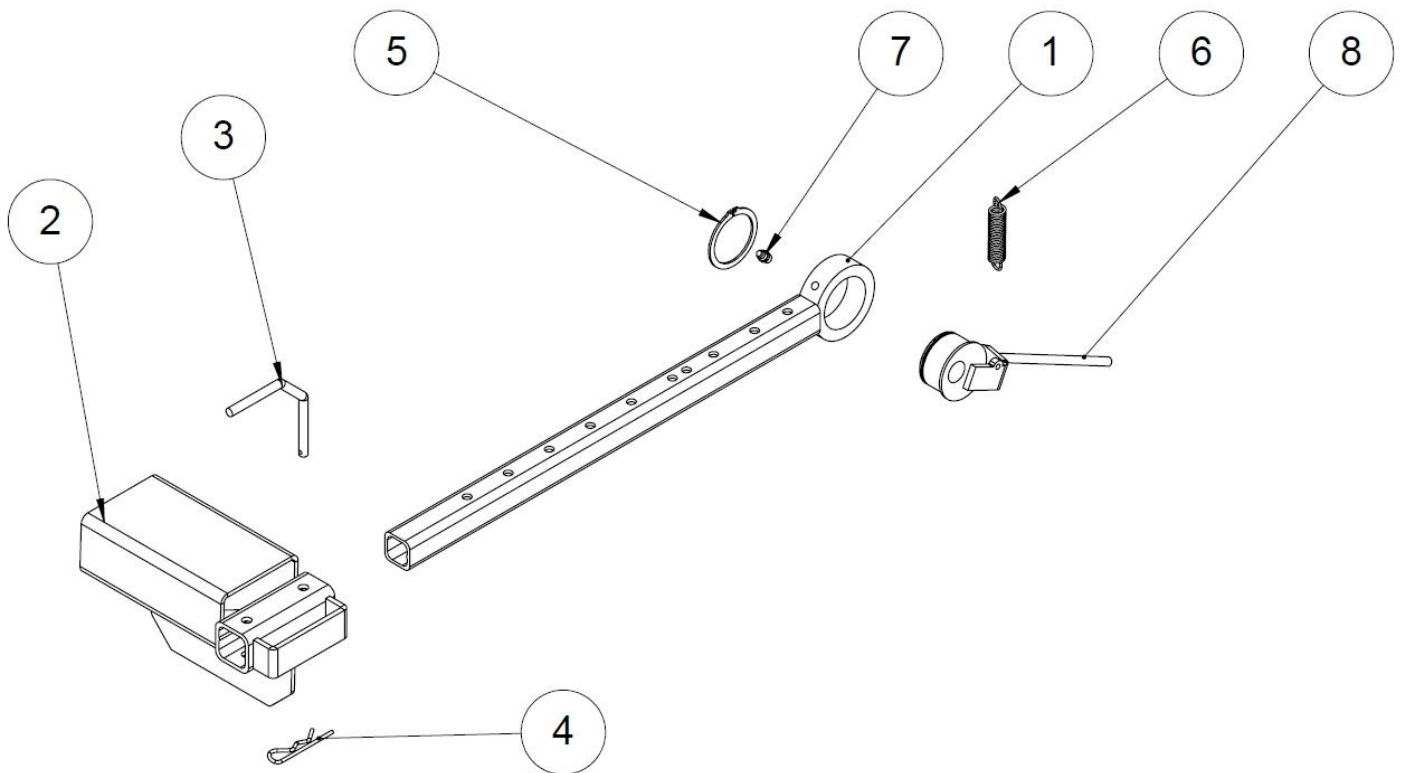
No.	Part number	Name	Pcs
1	50004469	Blade adjustment lever	1
2	95646	Pressure spring	1
3	50016873	4-way splitting blade	1
4	30300	6-way splitting blade	1
5	96054	Washer DIN 125 A24	3
6	96343	Hex screw	1
7	96214	Locking nut	1
8	95648	Sheath	1

19 Sawing and splitting control valve (50033283)



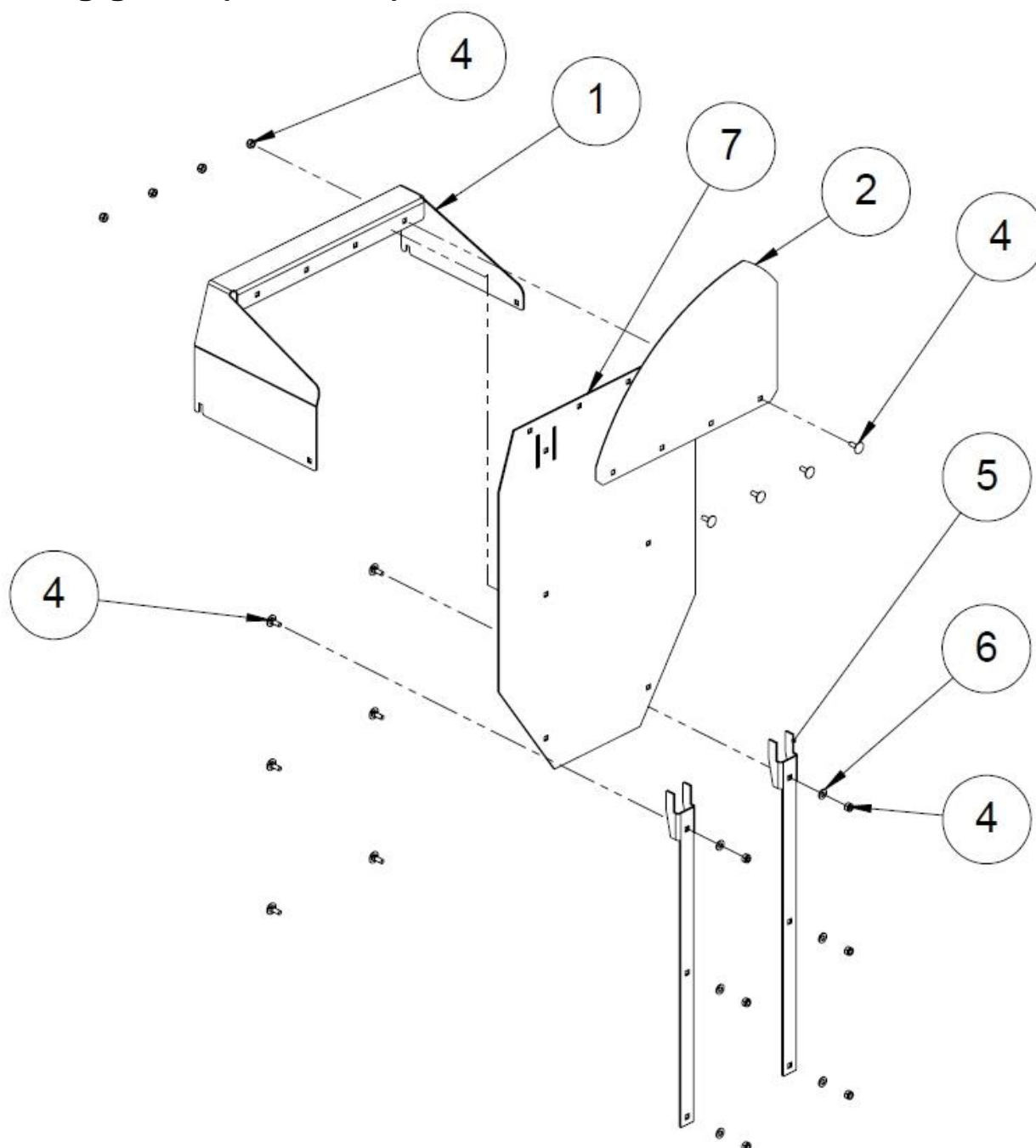
No.	Item	Part number	Dimensions	Pcs
13	Hex screw	96126	M8x60	2
12	Washer	96061	A8	4
11	Locking nut	96222	M8	2
10	Hydr. hose 650 x 1.2" straight int. thread/straight int. thread	97099		1
9	Hydr. hose 550 1/2" /straight 90 int. thread	97637		1
8	Hydr. hose 1,500 straight 90 fabric cover	97058		1
7	Double nipple 1/2" x 1/2"	97204		3
6	USIT 1/2"	97213		3
5	Copper washer 13	97469		1
4	Directional corner nipple 1/2"	97247		1
3	Double nipple 1/4" x 3/8"	97201		1
2	Connecting nipple 1/2" uk x 1/2" sk side connector 1/4"	97390		1
1	Saw valve Walvoil	97821		1

20 Log measuring device (50025531)



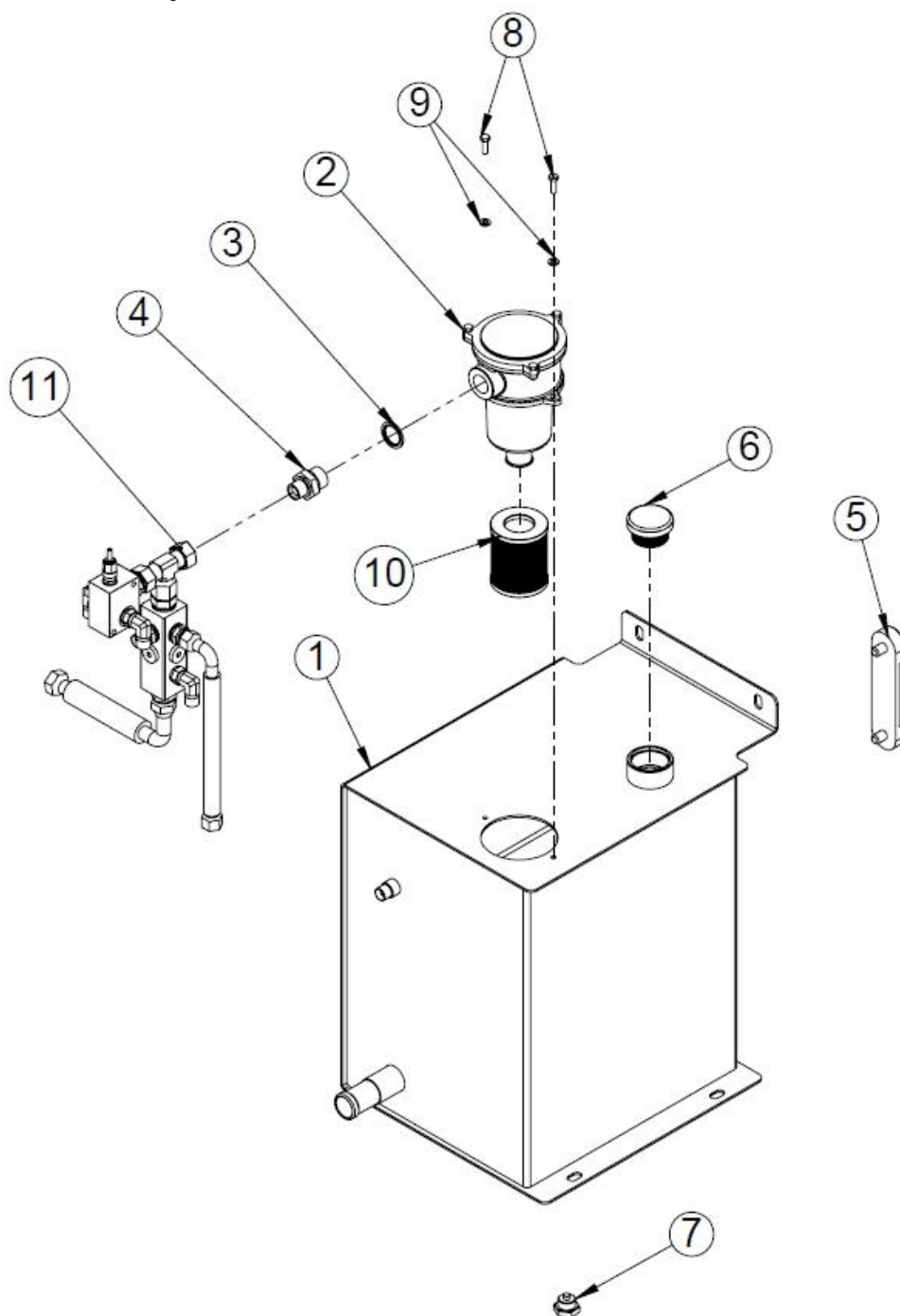
No.	Part number	Name	Pcs
1	10196	Log length limiter pipe	1
2	50026056	Log length limiter	1
3	10065	Locking pin	1
4	96208	Hitch pin	1
5	96046	Retaining ring DIN 471 50	1
6	95423	Draw spring	1
7	96276	Lubrication nipple M8X1	1
8	37562	Eccentric lever	1

21 Splitting guard (50022657)



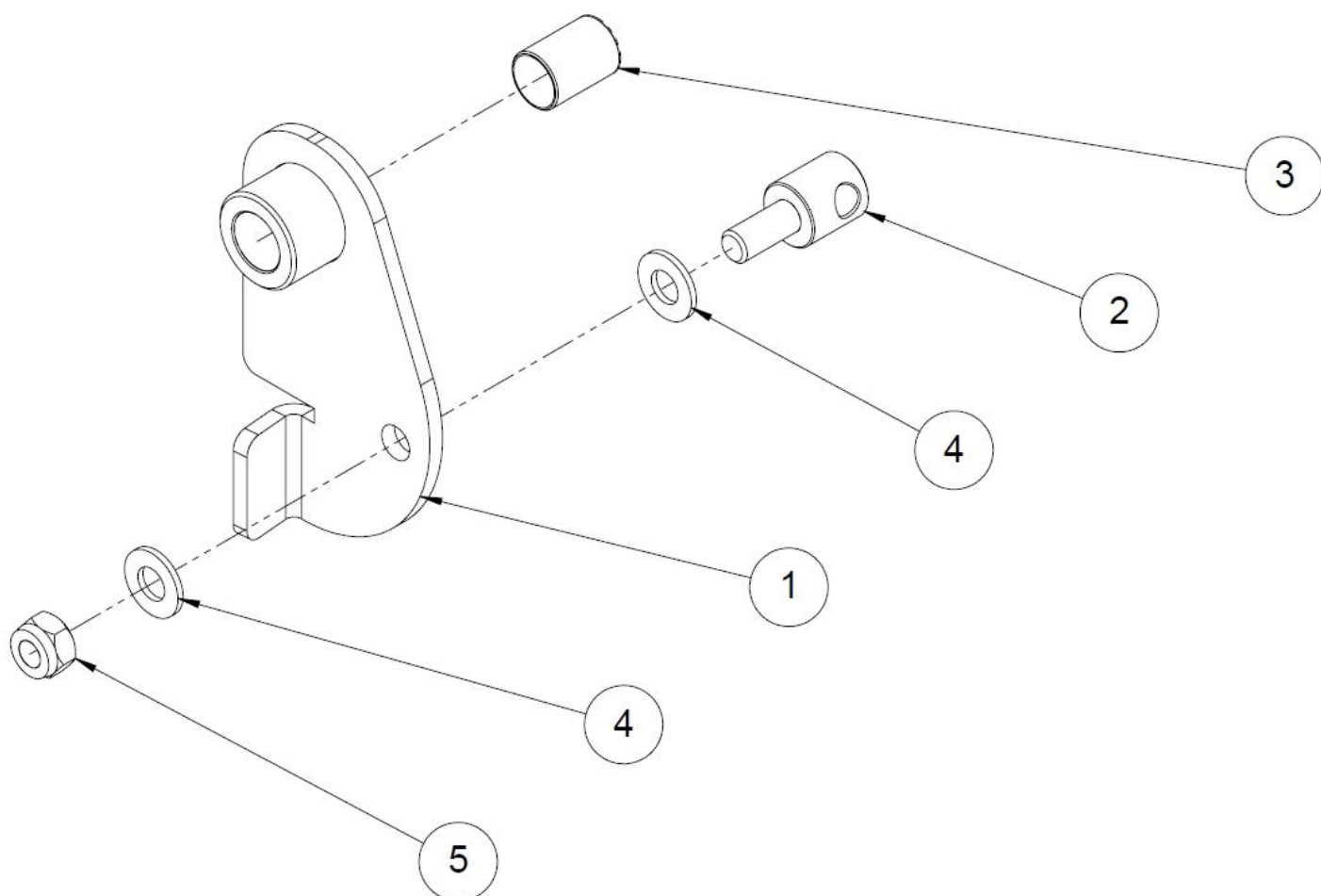
No.	Item	Part number	Dimensions	Pcs
7	Protective mat	50032580	PL3	1
6	Washer	96061	A8	6
5	Guard mesh plate	50022673	PL3	2
4	Locking nut	96222	M8	10
3	Lock screw	96187	M8x20	10
2	Upper splitting guard	37614	1.50x295x425	1
1	Splitting guard bracket	50022653	PL3	1

22 Oil tank (50019763)



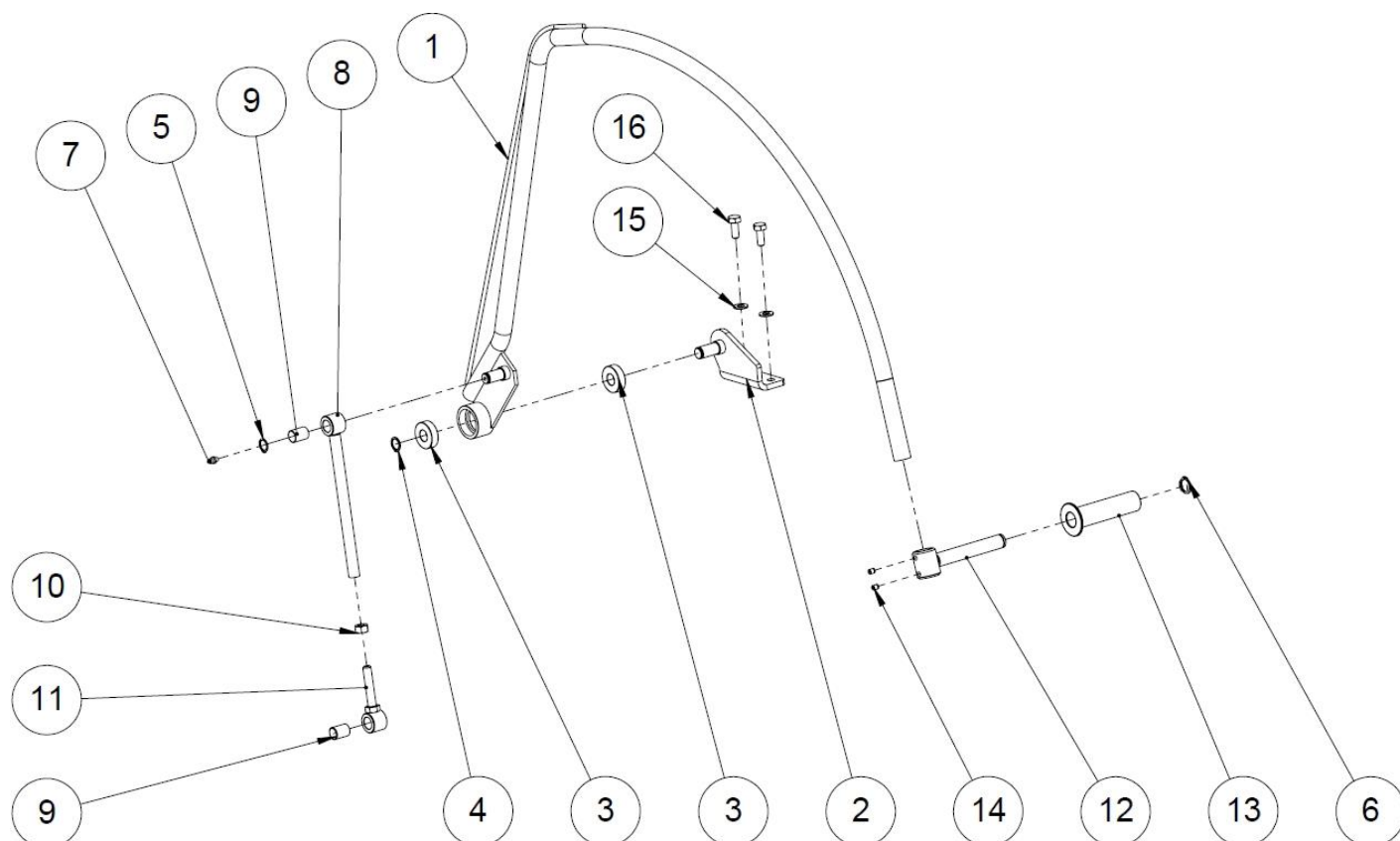
No.	Item	Part number	Dimensions	Pcs
11	Manifold + relief valve	50033297		1
10	Filter insert	97290		1
9	Washer	96060	A6	2
8	Hex screw	96135	M6x20	2
7	Base plug with magnet	97399	1/2"	1
6	Filler cap	97429		1
5	Oil level sight glass	97552		1
4	Double nipple	97205	1/2" x 3/4"	1
3	USIT	97214	3/4"	1
2	Filter complete	97291		1
1	Oil tank frame	50019762		1

23 Valve press (50017574)



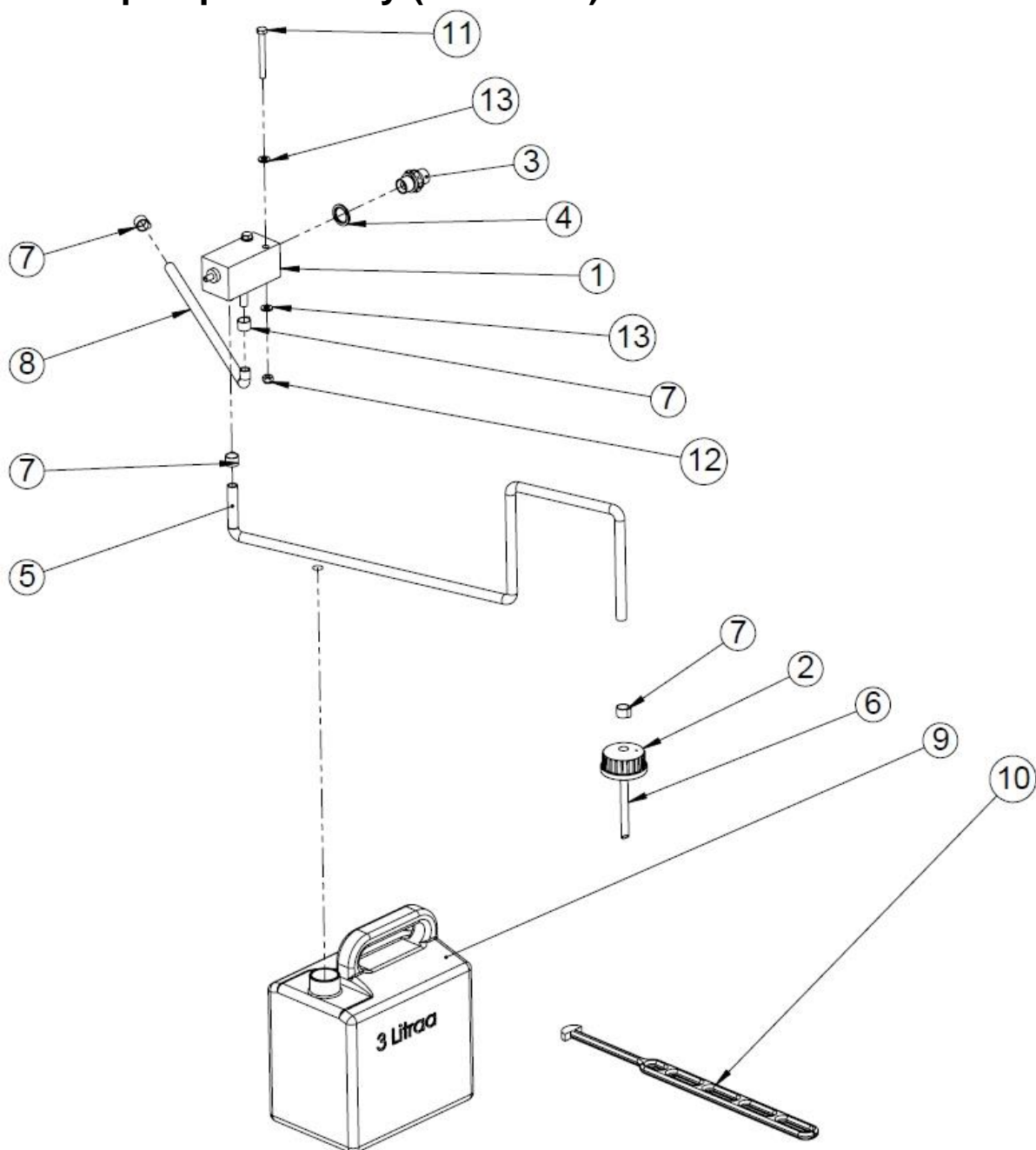
No.	Part number	Name	Pcs
1	50017573	Valve press	1
2	50006075	Joint nipple	1
3	95062	Slide bearing	1
4	96049	Washer DIN 125 A 10	2
5	96068	Locking nut DIN 985 M10	1

24 Operating lever (50017144)



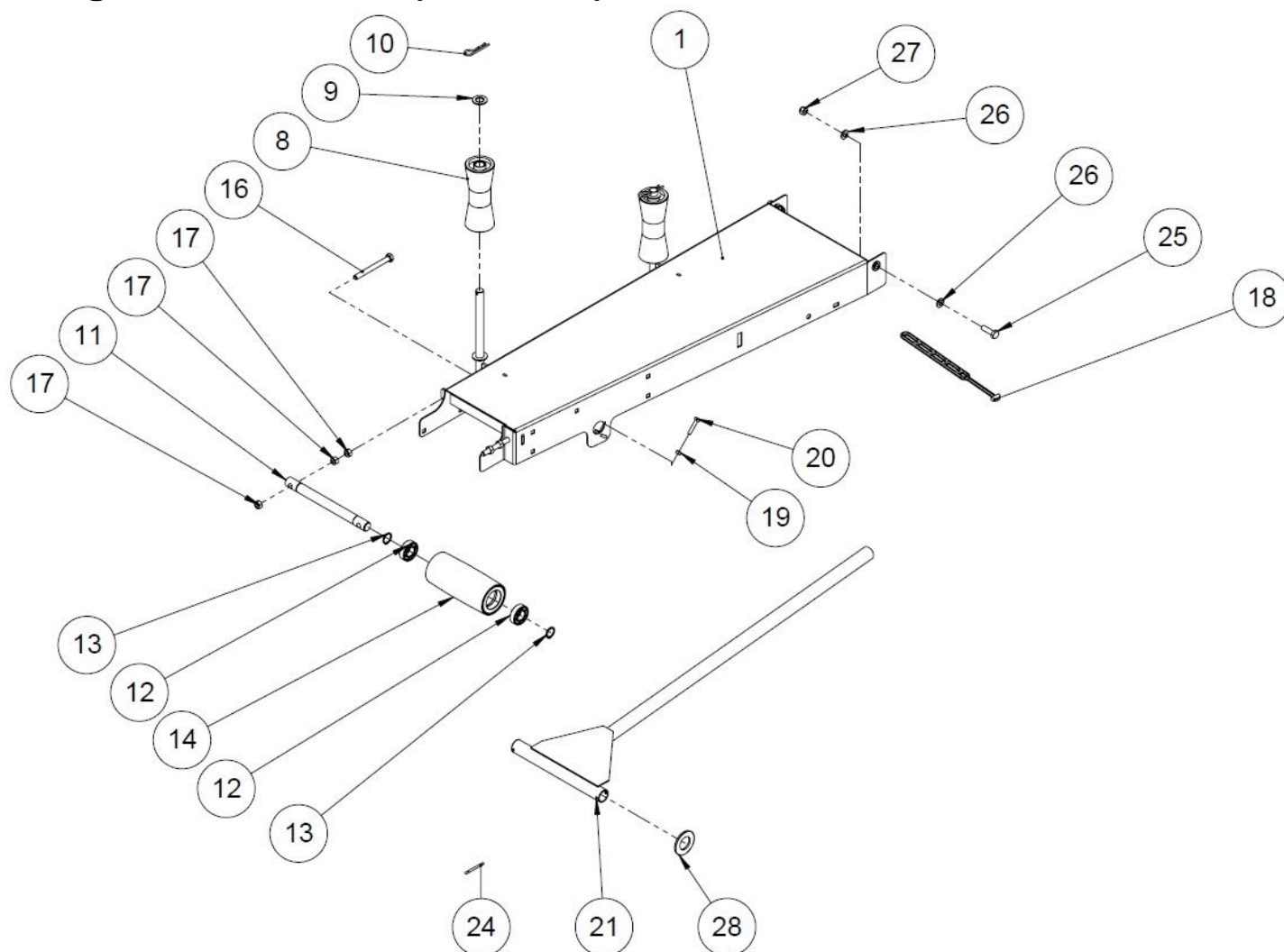
No.	Part number	Name	Dimensions	Pcs
1	50017136	Operating lever		1
2	50017138	Operating lever fastener		1
3	95048	Bearing	6203 2Z	2
4	96039	Retaining ring		1
5	96038	Retaining ring		1
6	96040	Retaining ring		1
7	96273	Lubrication nipple	M6X1	1
8	50017140	Operating rod half		1
9	95062	Slide bearing		2
10	96200	Hex nut	M12	1
11	10394	Rod adjuster		1
12	10510	Handle		1
13	95238	Handle	22x125	1
14	96228	Socket set screw		2
15	96049	Washer	A10	3
16	96139	Hex screw	M10x25	4

25 Saw chain pump assembly (50016796)



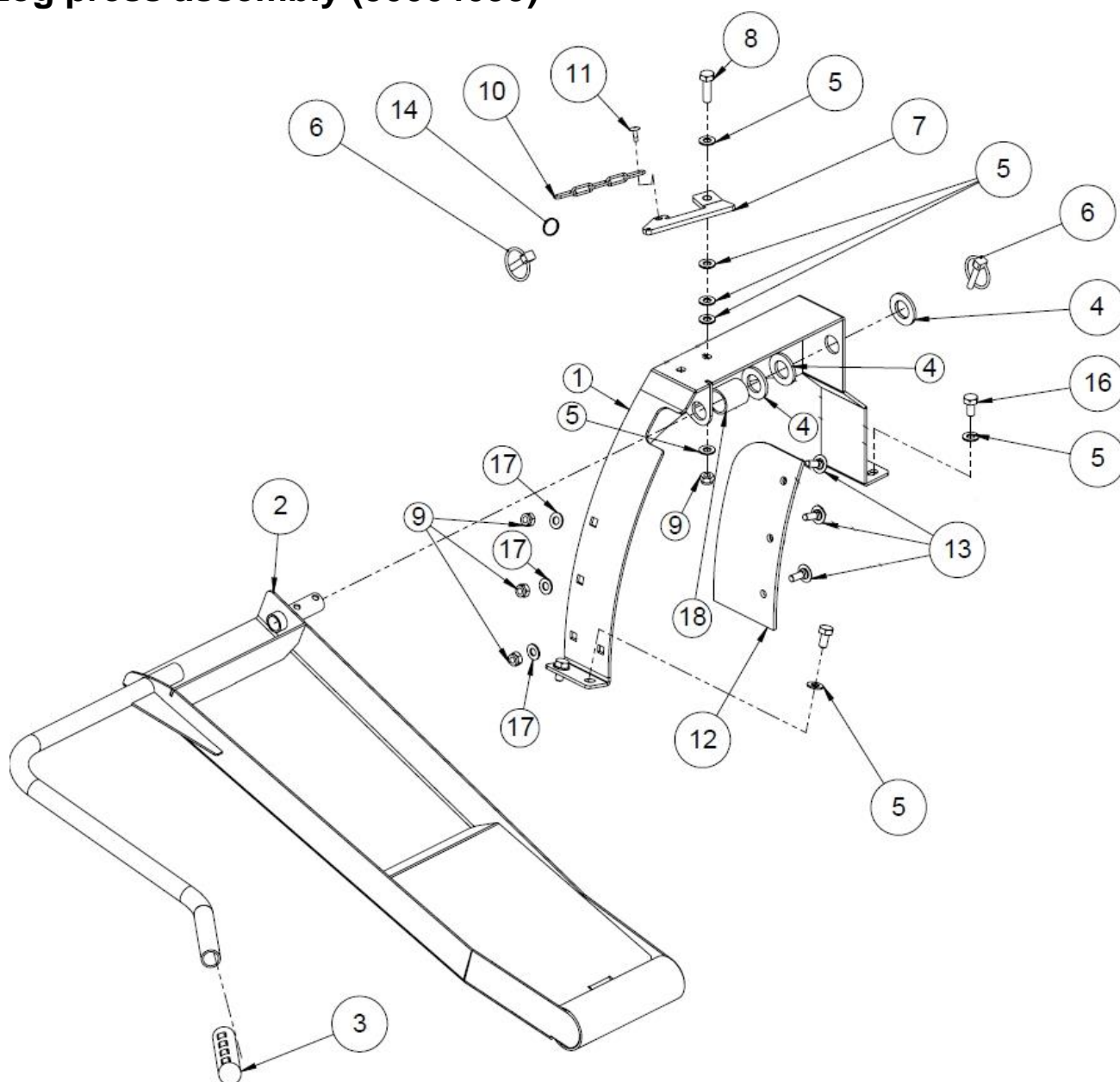
No.	Item	Part number	Dimensions	Pcs
13	Washer	96060	A6	4
12	Locking nut	96221	M6	2
11	Hex screw	96120	M6x55	2
10	Rubber cover fastener	95645		1
9	Oil container	95647	3l	1
8	ToppFlex PUR hose	95606	8/11	1
7	Hose tie	96174		4
6	Saw chain oil suction pipe	50014496		1
5	ToppFlex PUR hose	95606	8/11	1
4	USIT	97212	3/8"	1
3	Choke nipple	97276	3/8" x 3/8"	1
2	Oil cap	95644		1
1	Saw chain oil pump	97848		1

26 Log table extension (50012752)



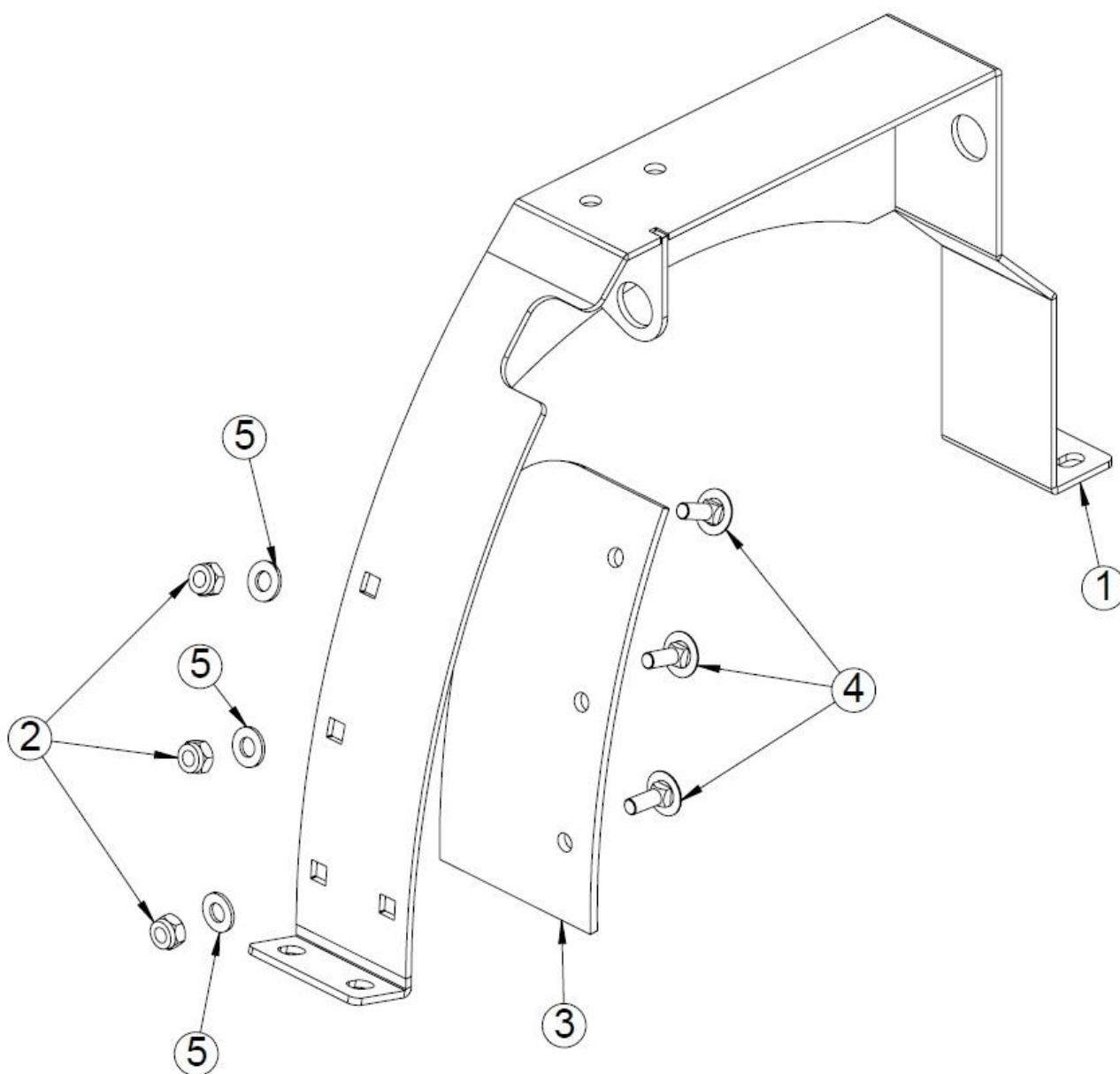
No.	Part number	Name	Dimensions	Pcs
1	50012750	Extension frame		1
8	95001	Keel roller		2
9	96053	Washer	125 A20	2
10	96347	Hitch pin	4 mm	2
11	37529	Shaft		1
13	96042	Retaining ring	DIN 471 25	2
14	37509	Tensioning roller		1
16	96142	Hex screw	DIN 933 M12x120	2
17	96200	Hex nut	DIN 934 M12	6
18	95645	Rubber cover fastener		1
19	96196	Hex nut	DIN 934 M8	1
20	96123	Hex screw	DIN 931 M8x40	1
21	50012751	Input table extension support		1
24	96250	Split pin	DIN 94 5x50	2
25	96148	Hex screw	DIN 933 M12x40	2
26	96058	Washer	DIN 125 A12	4
27	96218	Locking nut	DIN 985 M12	2
28	96410	Washer	DIN 125 A36	2

27 Log press assembly (50004099)



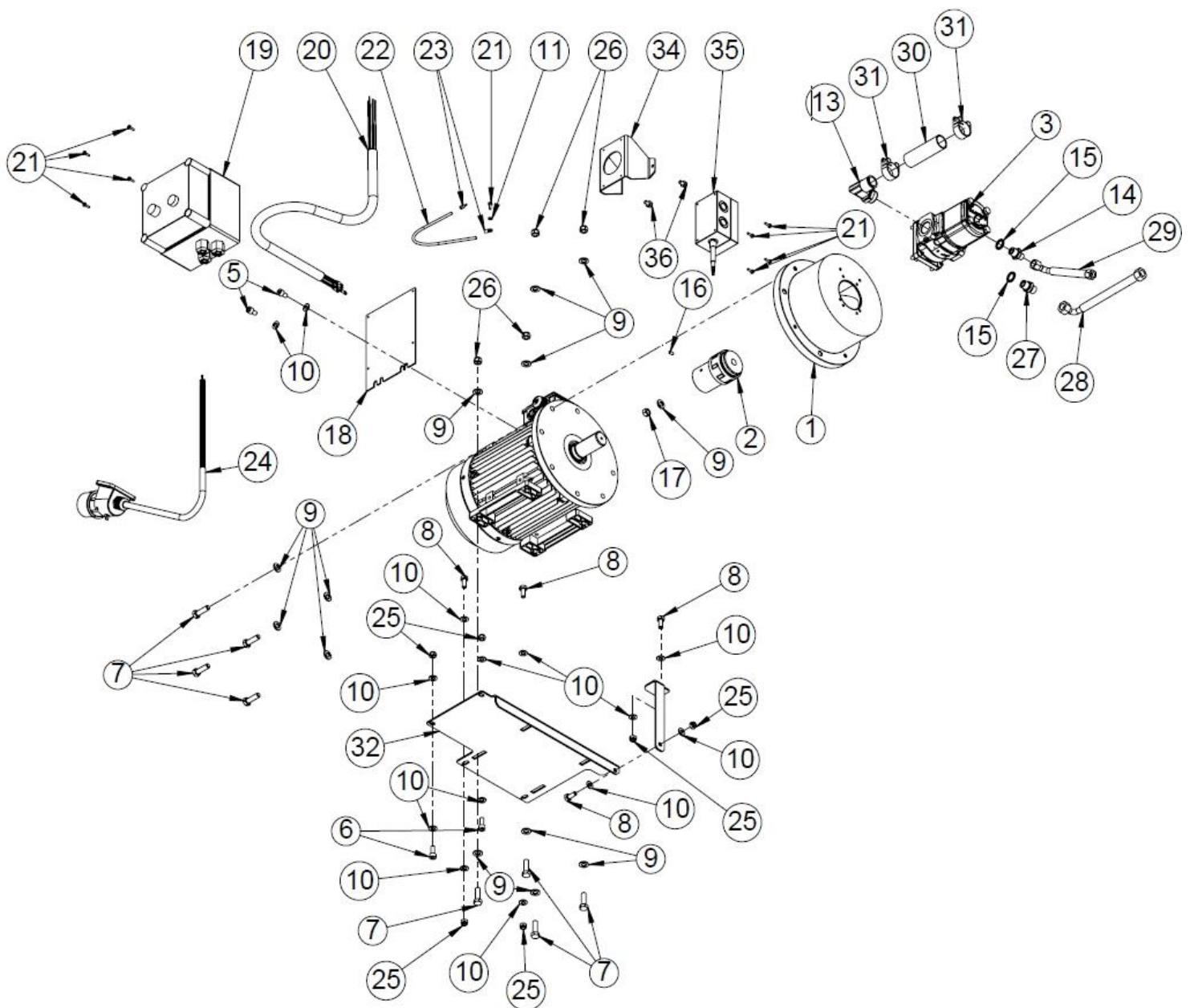
No.	Item	Part number	Dimensions	Pcs
18	Intermediate bushing	50036302	Ø35x3 L=40	1
17	Washer	96049	A10	3
16	Hex screw	96138	M10x20	4
15	Washer	96406	M10	2
14	Key ring	96422		1
13	Lock screw	96186	M10x25	3
12	Finger guard	50012922		1
11	Pop rivet	96271	4.8x16.5	1
10	Chain	95480	3 mm	1
9	Locking nut	96068	M10	6
8	Hex screw	96097	M10x35	1
7	Extension lock	50004101	65x132.50	1
6	Ring pin	96242	8 mm	2
5	Washer	96049	A10	9
4	Washer	96054	A24	3
3	Handle	95595		1
2	Wood gripper	50003671		1
1	Wood gripper fastener	50003683		1

28 Log press arch (50004099)



No.	Item	Part number	Dimensions	Pcs
5	Washer	96049	A10	3
4	Lock screw	96186	M10x25	3
3	Finger guard	50012922		1
2	Locking nut	96068	M10	3
1	Wood gripper fastener	50003683		1

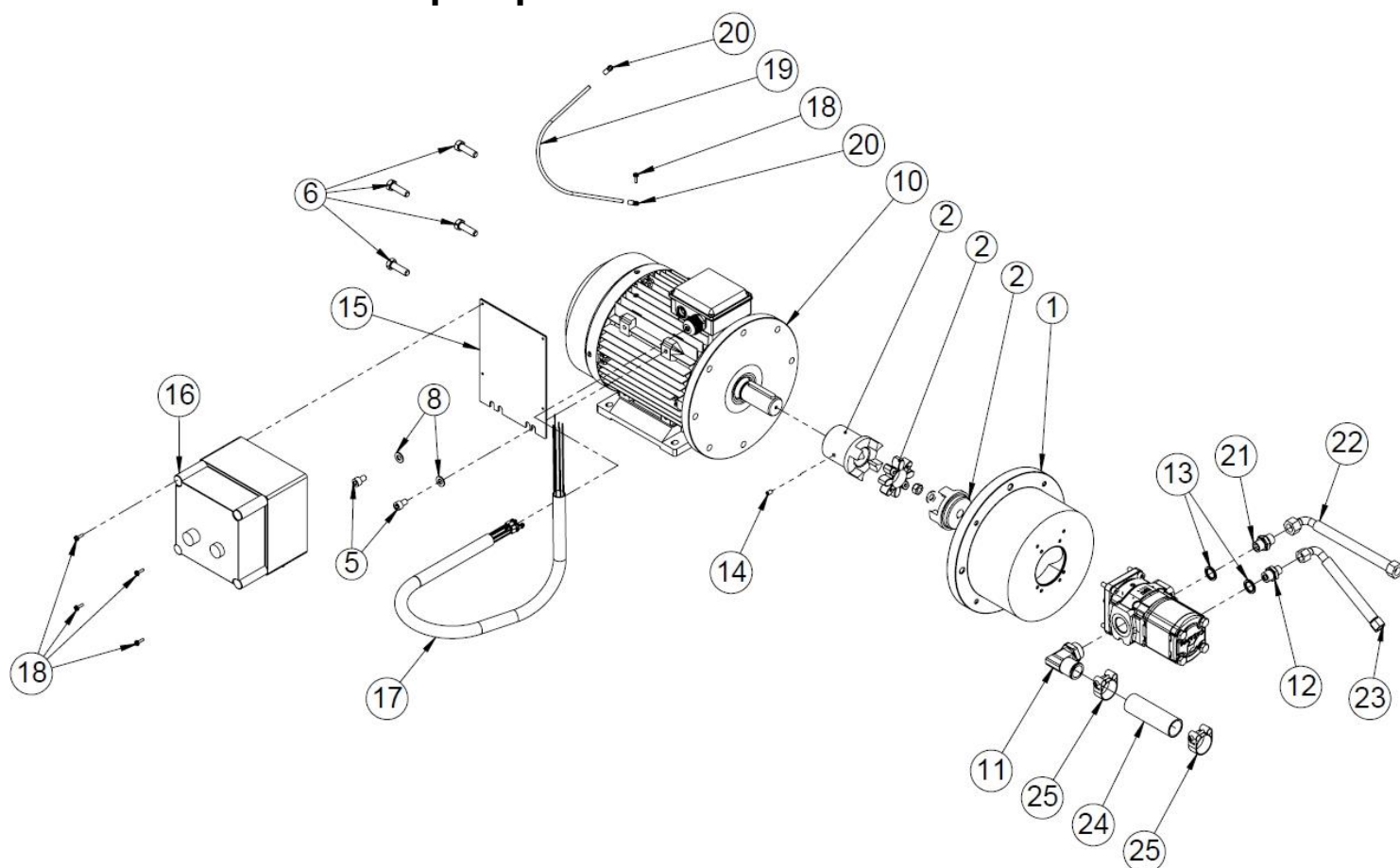
29 Electrical parts



30 Electrical parts list

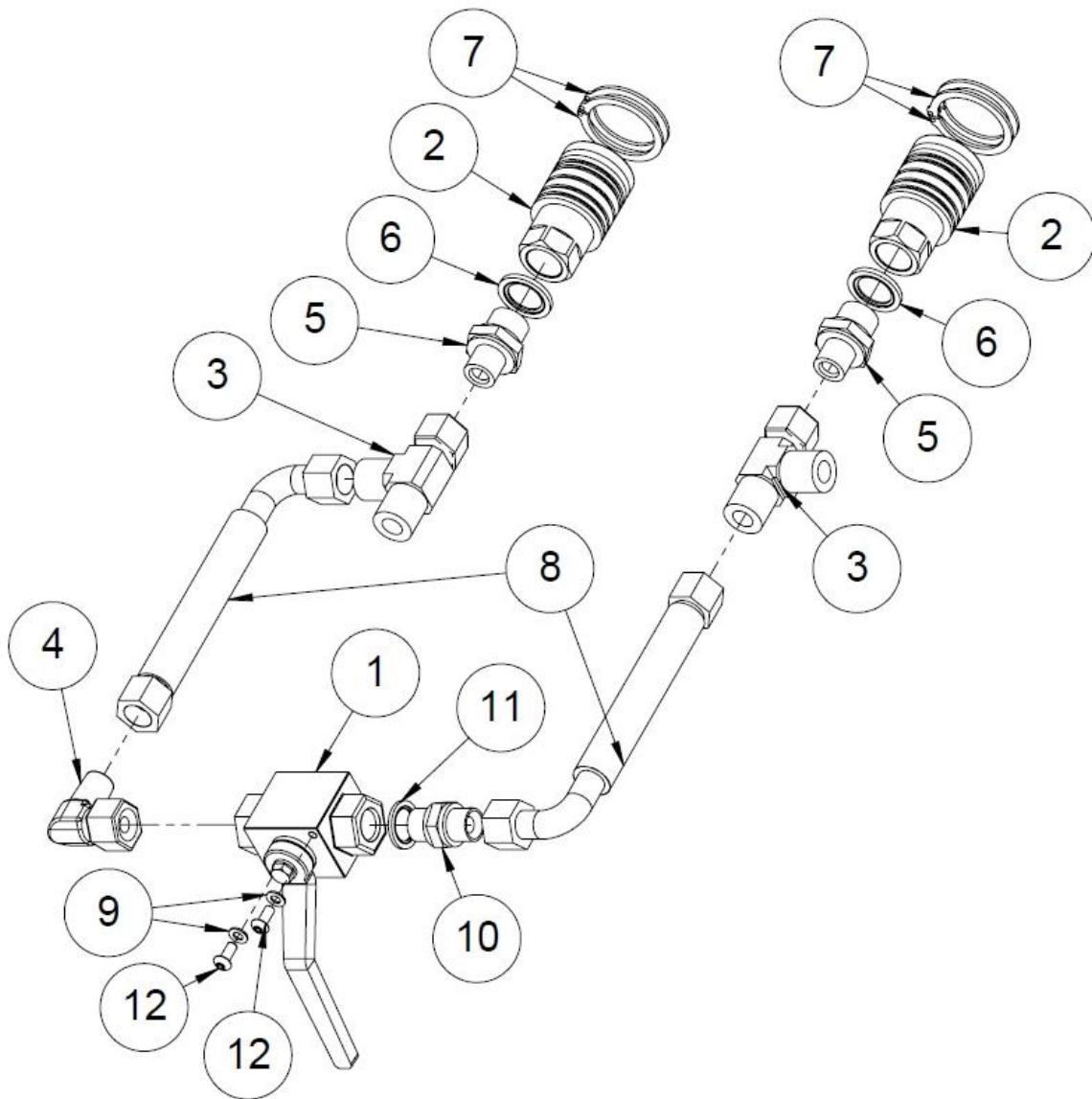
No.	Item	Part number	Dimensions	Pcs
36	Flange bolt	96427	8.8 ZN M8x12	2
35	Remote starter	37648		1
34	Starter bracket	50009788		1
33	Bracket	50032700		1
32	Electric motor bed	50032694		1
31	Steel hose clamp	97850	40-32	2
30	Suction hose	50037876	Ø32x L=32x650	1
29	Hydraulic hose	97008	700 x 3/8"	1
28	Hydraulics	97059	1500	1
27	Double nipple	97204	1/2" x 1/2"	1
26	Locking nut	96218	M12	4
25	Locking nut	96068	M10	6
24	Power cable + plug	10750		1
23	Eyelet connector	96398	M6	2
22	Earthing cable	95483	6 mm ² x 400 mm	1
21	Slot head screw	96262	M5x16 -Z	9
20	Rubber cable with connectors	95661	7x1.5 mm	1
19	Starter housing	95152	7.5 kW	1
18	Fastening plate	50017079		1
17	Hex nut	96200	M12	1
16	Socket set screw	96227	M8x12	1
15	USIT	97213	1/2"	2
14	Double nipple	97203	3/8" x 1/2"	1
13	Suction connector	97849	1"/32 mm	1
12	Electric motor	95039	7.5 kW	1
11	Washer	96055	A5	1
10	Washer	96049	A10	14
9	Washer	96058	A12	13
8	Hex screw	96139	M10x25	4
7	Hex screw	96148	M12x40	8
6	Hex socket screw	96329	M10x25	2
5	Hex socket screw	96024	M10x16	2
4	Hex socket screw	96341	M8x30	4
3	Hydraulic pump	97325		1
2	Intermediate switch	97351		1
1	Motor flange	97350		1

31 Electric motor and pump



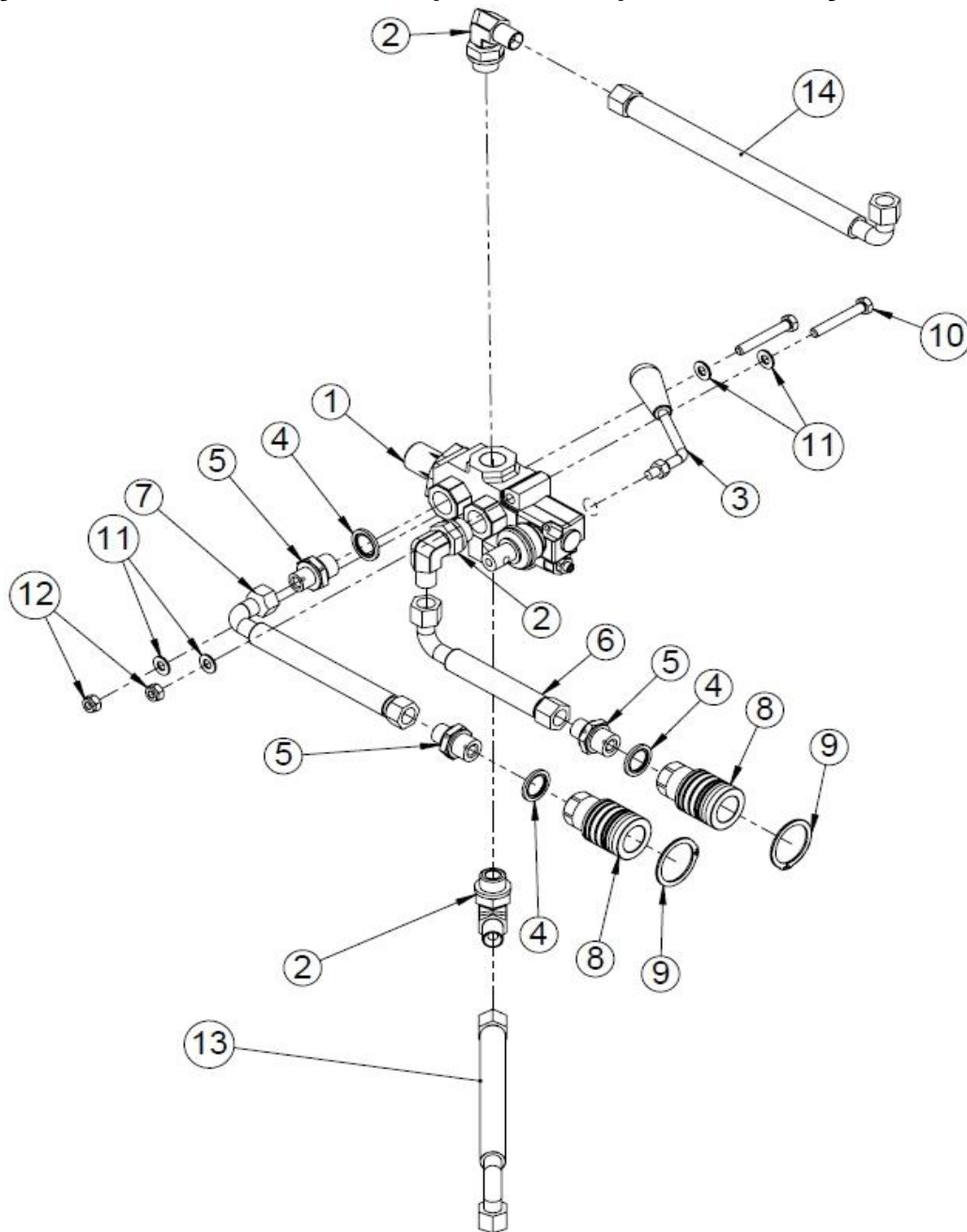
No.	Item	Part number	Dimensions	Pcs
26	Hose clamp	97850		2
25	Suction hose I	50037876	32x650	1
24	Hydraulic hose	97008	700 x 3/8"	1
23	Hydraulic hose	97059	1500	1
22	Double nipple	97204	1/2" x 1/2"	1
21	Eyelet connector	96398	M6 Yellow	2
20	Earthing cable	95483	6 mm ²	1
19	Slot head screw	96262	M5x16 -Z	5
18	Rubber cable	95661	7x1.5 mm with connectors	1
17	Starter housing	95152	7.5 kW	1
16	Fastening plate	50017079		1
15	Hex nut	96200	M12	1
14	Socket set screw	96227	M8x12	1
13	USIT	97213	1/2"	2
12	Double nipple	97203	3/8" x 1/2"	1
11	Suction connector	97849	1"/32 mm	1
10	Electric motor	95039	7.5 kW	1
9	Washer	96055	A5	1
8	Washer	96049	A10	2
7	Washer	96058	A12	5
6	Hex screw	96148	M12x40	4
5	Hex socket screw	96024	M10x16	2
4	Hex socket screw	96341	M8x30	4
2	Intermediate switch	97351		1
1	Motor flange	97350		1

32 Connector set for log table, accessory



No.	Item	Part number	Dimensions	Pcs
12	Hex socket screw	96003	M5x12	2
11	USIT	97212	3/8"	1
10	Double nipple	97202	3/8", 3/8"	1
9	Washer	96055	A5	2
8	Hydraulic hose	97028	360 x 3/8"	2
7	Retaining ring	96371	38	4
6	USIT	97213	1/2"	2
5	Double nipple	97203	3/8" x 1/2"	2
4	Directional corner nipple	97250	3/8"	1
3	T-junction (L-connector)	97234		2
2	Quick coupler	97388	1/2"	2
1	Ball valve	50000298		1

33 Auxiliary device control valve (50033299), accessory



No.	Item	Part number	Dimensions	Pcs
14	Hydraulic hose	97050	3/8" x 1,100	1
13	Hydraulic hose	97182	3/8" x 3,300	1
12	Locking nut	96222	M8	2
11	Washer	96061	A8	4
10	Hex screw	96125	M8x55	2
9	Retaining ring	96371	38	2
8	Quick coupler female	97388	1/2"	2
7	Hydraulic hose	97044	450 x 3/8"	1
6	Hydraulic hose	97147	250 x 3/8"	1
5	Double nipple	97203	3/8" x 1/2"	3
4	USIT	97213	1/2"	3
3	Valve operating lever	50033921	Ø8	1
2	Directional elbow nipple	97610	1/2" x 3/8"	3
1	Manual directional valve	97842		1