

# Hakki Pilke

## 50 Pro

### FIREWOOD PROCESSOR SPARE PARTS MANUAL



*MAASELÄN KONE OY*  
Valimotie 1, FI-85800 Haapajärvi  
Tel. +358 (0)8 772 7300  
[info@hakkipilke.fi](mailto:info@hakkipilke.fi)  
[www.hakkipilke.fi](http://www.hakkipilke.fi)

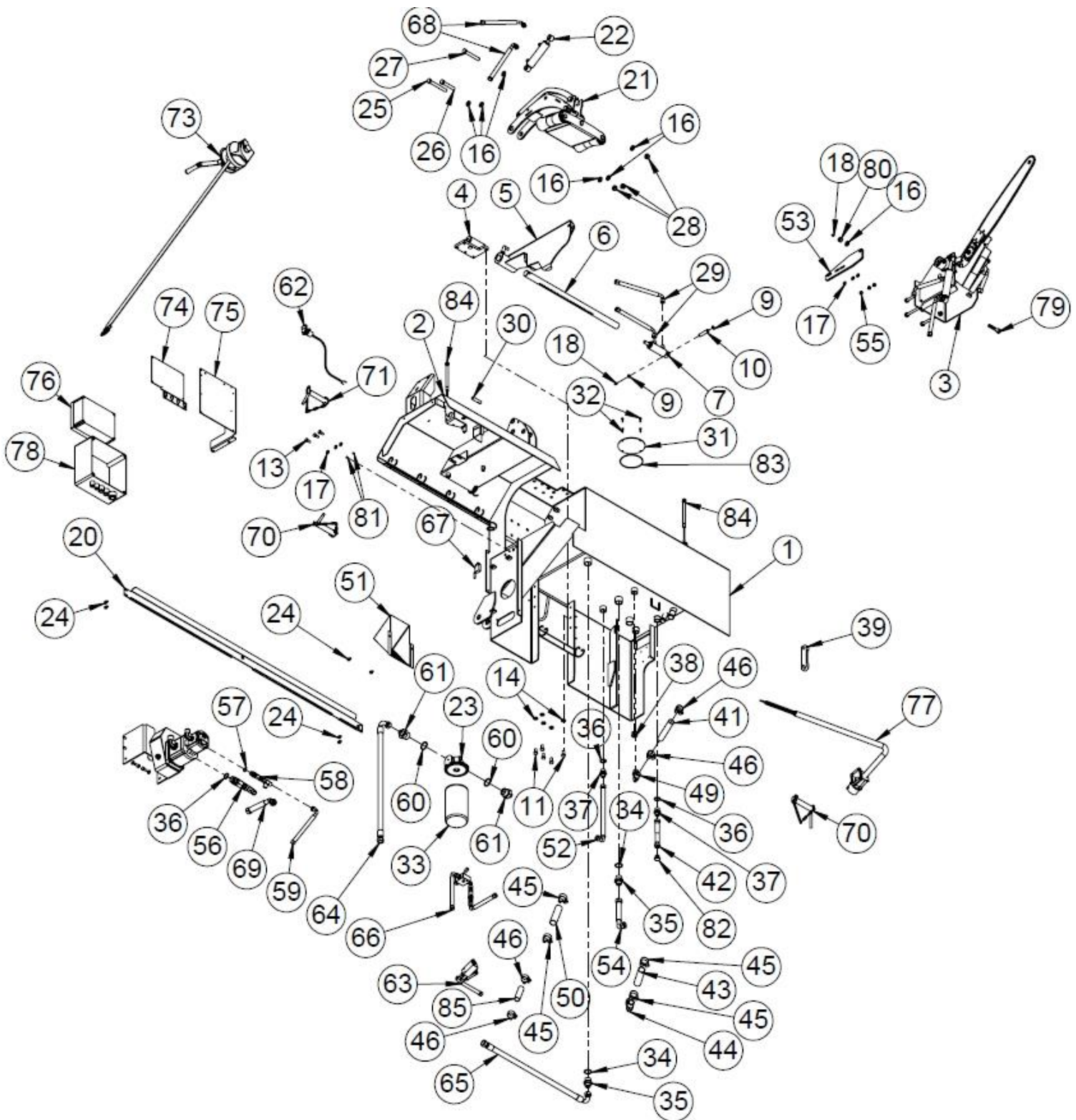
## Contents

1.1	Exploded view 1 of the oil tank and other parts of the machine.....	5
1.2	Oil tank parts list .....	6
1.3	Exploded view of the frame .....	8
1.4	Frame parts list.....	9
1.5	Frame 2.....	10
1.6	Frame 2 parts list.....	11
1.7	Control panel assembly (50037624) .....	13
1.8	Control panel parts list.....	14
1.9	Guards (as of 20 May 2019) .....	15
1.10	Exploded view of the power transmission (PTO) .....	16
1.11	Exploded view of the winch (47310).....	17
1.12	Exploded view of the power transmission (electrical).....	18
1.13	Exploded view of the out-feed conveyor (50030200).....	19
1.14	Out-feed conveyor parts list (50030200) .....	20
1.15	Upper section of the out-feed conveyor (50030189) .....	21
1.16	Out-feed conveyor upper section parts list (50030189) .....	22
1.17	Lower section of the out-feed conveyor (50030190) .....	23
1.18	Out-feed conveyor lower section parts list.....	24
1.19	Out-feed conveyor lifting cylinder, left (50001988).....	25
1.20	Out-feed conveyor lifting cylinder, right (50001989) .....	26
1.21	Splitting blades .....	27
1.22	Splitting blade lifting unit .....	28
1.23	Log press.....	29
1.24	Log press retainer valve (50035859) .....	30
1.25	Log press control valve (50034462) .....	31
1.26	Relief valve, out-feed conveyor turning cylinder (50034430) .....	32
1.27	Out-feed conveyor lock valve (lifting/lowering) .....	33
1.28	Out-feed conveyor control valve (50034463) .....	34

1.29	Saw unit (50033043) .....	35
1.30	Saw unit parts list (50033043).....	36
1.31	Automatic chain tensioner (50028446) .....	37
1.32	Chain tensioner parts list .....	38
1.33	Saw drive head assembly (50027417).....	39
1.34	Saw valve.....	40
1.35	Saw valve parts list .....	41
1.36	Chain tensioner valve .....	42
1.37	Saw bar lowering valve (50034466) .....	43
1.38	Saw chain lubrication pump, electrical (50040251).....	44
1.39	Oil cooler (50034467).....	45
1.40	Slide + splitting cylinders.....	46
1.41	Splitting cylinders and slide parts list .....	47
1.42	High-pressure cylinder, lower (50030155).....	48
1.43	Splitting function guide plate (50034533).....	49
1.44	Log guide plate assembly (50037455).....	50
1.45	Log guide plate assembly, operator's side (50037583) .....	51
1.46	Control valves.....	52
1.47	Control valve parts list.....	53
1.48	Saw control valve assembly .....	54
1.49	Load control valve (50034484).....	55
1.50	Load control valve parts list .....	56
1.51	High-pressure valve (50036017) .....	57
1.52	Control panel.....	58
1.53	Control panel parts list.....	59
1.54	Auxiliary device control valve (50034465) .....	60
1.55	4-block valve (50034457) .....	61
1.56	Log guide plate control valve (50040548).....	62
1.57	Log measuring device plate.....	63
1.58	Splitting groove plate (50014138).....	64

1.59	In-feed conveyor extension.....	65
1.60	In-feed conveyor extension parts list.....	66
1.61	In-feed conveyor carryover roller (47189).....	67
1.62	In-feed conveyor rear roller (47200).....	68
1.63	Exploded view of the electrical power transmission parts (combi model).....	69
1.64	Exploded view of the electrical power transmission parts (combi model).....	70
1.65	Relay cover (95901).....	71
1.66	Electric motor assembly, 60 Hz/380 V (50036066).....	72
1.67	Electric motor assembly, 60 Hz/380 V (50036066) parts list.....	73
1.68	Saw dust extractor with tractor hydraulics (50034476).....	74
1.69	Saw dust extractor parts list.....	75
1.70	Saw cylinder (10243).....	76
1.71	Splitting blade control cylinder (47733).....	77
1.72	Log measuring device cylinder (50027088).....	78
1.73	Manifold assembly (50034458).....	79
1.74	Manifold assembly parts list.....	80
1.75	Splitting function relief valve (50035244).....	81

### 1.1 Exploded view 1 of the oil tank and other parts of the machine

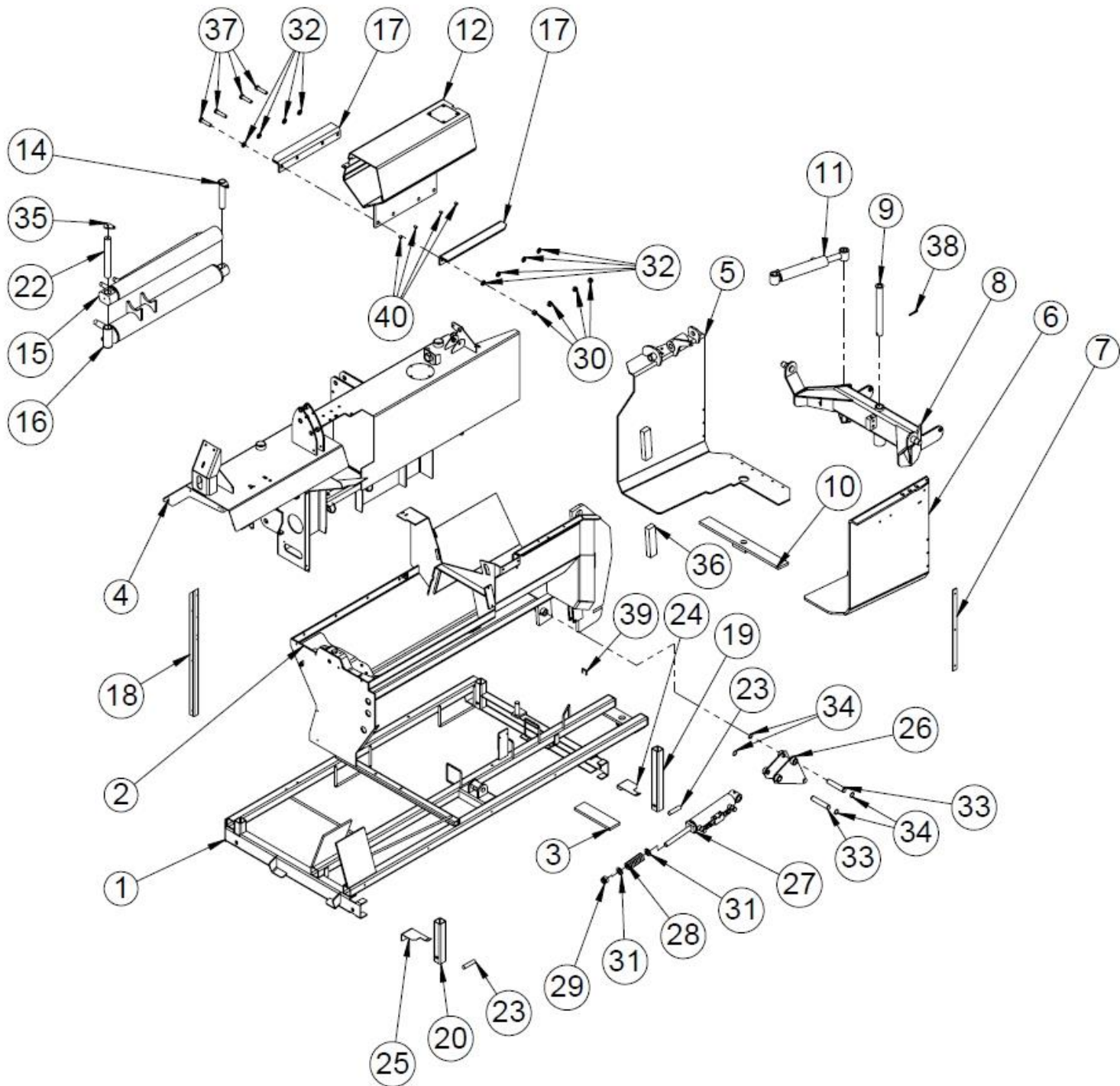


## 1.2 Oil tank parts list

No.	Item	Part number	Dimensions	Pcs
85	Suction hose Coroil 25 x 600	97752	Ø25	1
84	Gas spring	95539		2
83	O ring	50034764		1
82	Hex plug 1/2" external thread	97395		1
81	Socket set screw pointed	96397	M8x12	2
80	Hex nut	96195	M16	1
79	Hex screw M16	37550		1
78	Starter MS 11/15 Automatic Y/D	95157		1
77	32A plug phase switch + rubber cable	50035376		1
76	Relay cover 50 Pro	95901		1
75	Starter fastening plate	50033234	PL3	1
74	Relay box fastener	50029521	PL3	1
73	Out-feed conveyor winch	37151		1
72	Cardan shaft hook	8055		1
71	Push bar pin 25 x 130	95716		1
70	Drawbar pin 28 x 130	95717		2
69	Hydraulic hose 3/4" x 620 straight/45°	97916		1
68	Hydraulic hose 1,000 x 3.8" straight/90° 350 bar	97025		2
67	Pin limit switch	95421		1
66	Chain tensioner 3-way valve kit	50034460		1
65	Hydraulic hose 1,000 x 3/4" straight internal thread/90° machine angle	97063		1
64	Hydraulic hose 800 x 3/4" straight internal thread/90°	97031		1
63	Saw chain oil pump assembly	50034489		1
62	12V plug + cable	50035377		1
61	Double nipple 1" 1/4" x 3/4"	97642		2
60	USIT 1" 1/4"	97643		2
59	Hydraulic hose 850 x 3.8" straight/90°	97178		1
58	Check valve kit 3 (combi)	50036957		1
57	USIT 3/8"	97212		1
56	Check valve kit 2 (combi)	50036956		1
55	Locking nut	96068	M10	3
54	Hydraulic hose 2,400 x 3/4" straight/90° machine angle	97068		1
53	Cylinder mounting plate	50033210		1
52	Hydraulic hose 3,300 x 1/2" straight/90°	97192		1
51	Sawdust guide	47570		1
50	Suction hose Coroil 32 x 500 mm	97595	Ø32	1
49	Suction connector 3/4"/25 mm	97929		1
48	Oil gauge	97446		1
47	Filler cap	97429		2
46	Steel hose clamp 40	97896		4
45	Steel hose clamp 40-32	97850		4
44	Suction connector 1"/32 mm	97849		1
43	Suction hose Coroil 32 x 950 mm	97587	Ø32	1
42	400 x 1.2 straight - straight	97032		1

41	Suction hose Coroil 25 x 850 mm	97732	Ø25	1
40	Plug 3/8" internal thread	97376	Ø22	1
39	Oil level sight glass	97552		1
38	Plug 3/4" external thread	97266		1
37	Double nipple 1/2" x 3/4"	97205		2
36	USIT 3/4"	97214		3
35	Double nipple 3/4" x 1"	97208		2
34	USIT 1"	97215		2
33	Filter cartridge CS150P25A	97742		1
32	Hex screw	96135	M6x20	4
31	Cover	50034710	PL4	1
30	Pin	47442	Ø16 L=63	1
29	Hydraulic hose 2,200 x 3.8" straight/90°	97095		2
28	Locking nut	96219	M16	3
27	Hex screw	96351	M16x110	1
26	Hex screw	96118	M16x90	1
25	Hex screw	96113	M16x130	1
24	Flange bolt 8.8 ZN M8x12	96427		8
23	Return filter frame	97741		1
22	Hydraulic cylinder	47381		1
21	Log press	50035637		1
20	Rear guard	50033185	PL3	1
19	Gear + pump PTO, combi and electrical	50033220		1
18	Lubrication nipple M6x1	96273		2
17	Washer	96049	A10	12
16	Washer	96059	A16	7
15	Washer	96061	A8	4
14	Washer	96058	A12	5
13	Hex screw	96139	M10x25	9
12	Hex screw	96161	M8x20	2
11	Hex screw	96405	M12x25	5
10	Pin	50025660	Ø16	1
9	Retaining ring	96038	16	2
8	Hex nut	96436	M16	1
7	Cylinder	50027088		1
6	Measuring device bar	50025639		1
5	Log stopper	50035286		1
4	Slide	50035296		1
3	Drive end assembly HP 50 Pro complete	50033043		1
2	Saw chain oil tank	50033819		1
1	Oil tank assembly	50033817		1

### 1.3 Exploded view of the frame

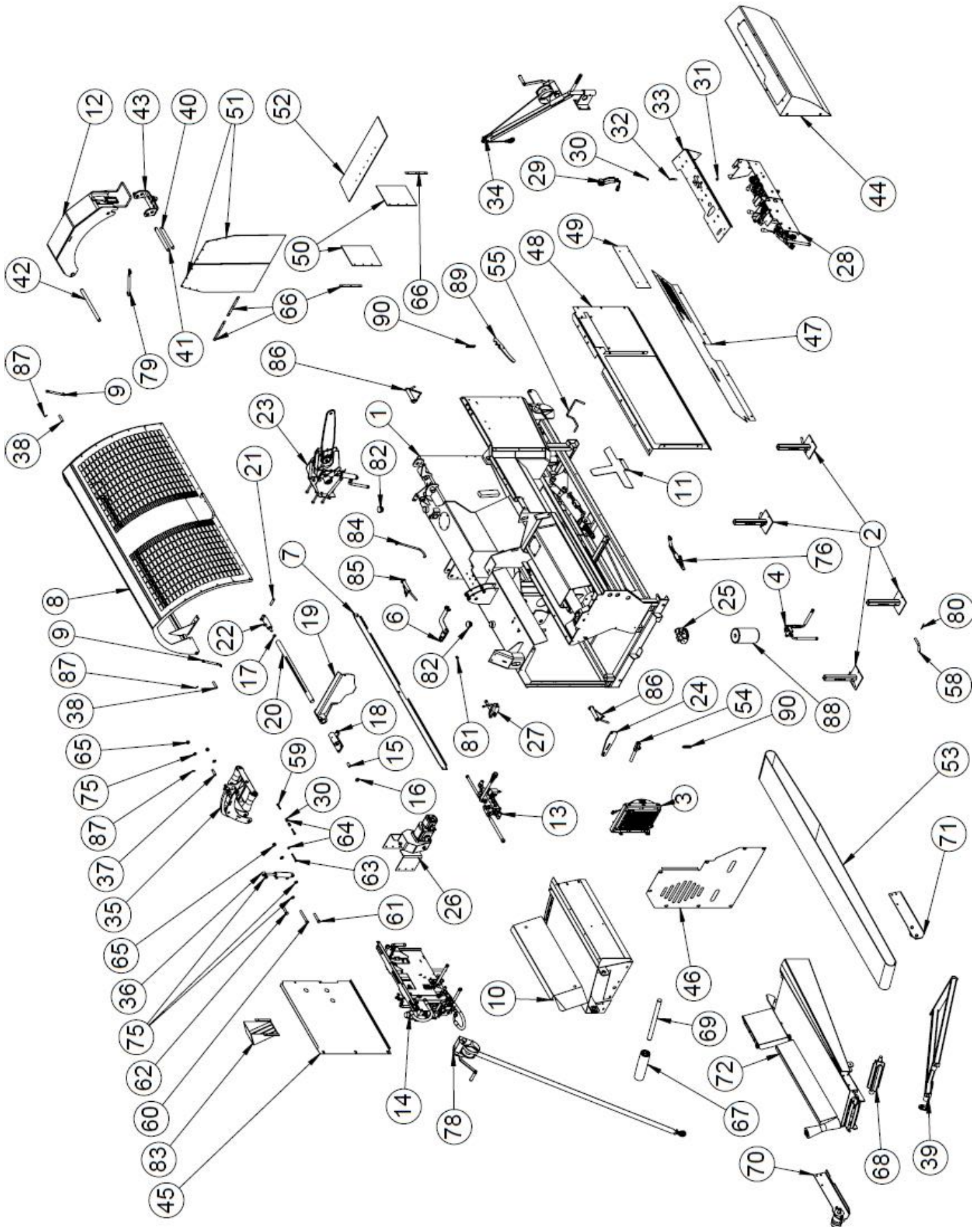




**1.4 Frame parts list**

<b>No.</b>	<b>Item</b>	<b>Part number</b>	<b>Dimensions</b>	<b>Pcs</b>
40	Intermediate part	50035879		4
39	Lock	50034807		1
38	Spring pin	96079	8x60	1
37	Hex screw	96155	M16x70	4
36	Splitting blade side support	47810		1
35	Retainer	50011927	PL6	1
34	Retaining ring	96042	25	4
33	Splitting blade adjustment pin	47052		2
32	Washer	96059	A16	8
31	Washer	96054	A24	2
30	Locking nut	96219	M16	4
29	Locking nut	96214	M24	1
28	Pressure spring (blade adjustment)	95026		1
27	Splitting blade cylinder lock valve	50036604		1
26	Blade lifter	47050		1
25	Lower guide left	50015285		1
24	Lower guide right	50015305		1
23	Slide pin	50015223		2
22	Pin	50009295		1
21	Support plate	50014476		1
20	Leg pipe	50014781		1
19	Support pipe	50015212		1
18	Corner pipe	50033639		1
17	Slide fastening plate	47362		2
16	High-pressure cylinder (lower)	50030155		1
15	High-pressure cylinder (upper)	50028450		1
14	Cylinder pin slide	50034407		1
13	Hex screw	96144	M12x20	1
12	Slide	50034373		1
11	Cylinder (conveyor turning)	47243		1
10	Log groove plate	47091		1
9	Pin conveyor turning	47094		1
8	Out-feed conveyor swivel device	47080		1
7	Guard fastening plate	47929		1
6	Splitting groove plate	50009824		1
5	Splitting groove plate	50014138		1
4	Oil tank assembly	50033052		1
3	Support plate	50014926		1
2	Frame upper part	50033836		1
1	Frame lower part	50033840		1

1.5 Frame 2

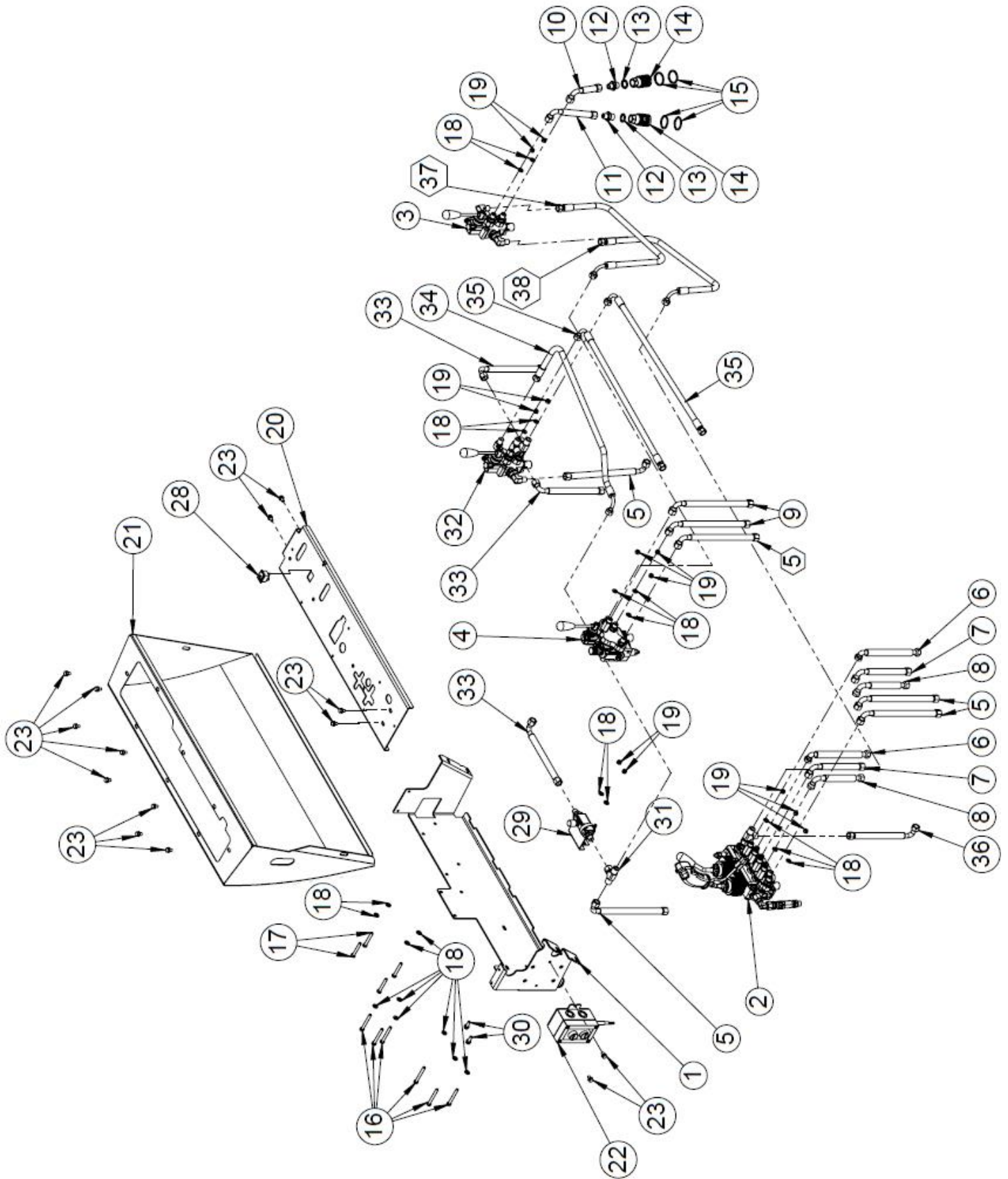


### 1.6 Frame 2 parts list

No.	Item	Part number	Dimensions	Pcs
90	Draw spring 2 x 20 x 100	95390		2
89	Conveyor locking latch	47089		1
88	Filter cartridge CS150P25A	97742		1
87	Spring pin	96354	6x24	3
86	Drawbar pin 28x130	95717		2
85	Push bar pin 25x130	95716		1
84	Cardan shaft hook	8055		1
83	Sawdust guide	47570		1
82	Filler cap	97429		2
81	Oil gauge	97446		1
80	Hitch pin	96208		4
79	Gas spring (upper support)	95662		1
78	Out-feed conveyor winch	37151		1
77	Relief valve out-feed conveyor turning	50034430		1
76	Lock valve, conveyor lifting/lowering	47226		1
75	Washer	96059	A16	6
74	USIT 3/8"	97212		1
73	Choke nipple 3/8" ext. thread x 3/8" ext. thread 1 mm	97276		1
72	In-feed conveyor extension	50035160		1
71	Drive roller fastening	47217		1
70	Tail roller fastening assembly	47216		1
69	In-feed, extension attachment shaft	47193		1
68	Drive roller part assembly	47210		1
67	Spacer	47189		1
66	Plate reinforcement	50008967		4
65	Locking nut	96219	M16	3
64	Locking nut	96068	M10	3
62	Hex screw	96351	M16x110	1
61	Hex screw	96118	M16x90	1
60	Hex screw	96113	M16x130	1
59	Hex screw	96099	M10x50	2
58	Pin	48033		4
56	Sensor fastener	50034800		1
55	Splitting blade stopper	50034761		1
54	Locking handle in-feed conveyor	47160		1
53	In-feed conveyor belt	95129		1
52	Splitting groove rubber plate	95527		1
51	Splitting groove cover right	95499		2
50	Splitting groove side rubber	95655		2
49	Cover plate	50034752		1
48	Front guard	50014940		1
47	Lower guard	50014941		1
46	End guard plate	50034365		1

45	Maintenance hatch	47920		1
44	Control panel	50014973		1
43	Locking plate	50012573		1
42	Shaft	50012014		1
41	Locking pin	50014321		1
40	Locking pin	50012016		1
39	In-feed conveyor support	47954		1
38	Cage pin	47967		2
37	Pin	47442		1
36	Hydraulic cylinder	47381		1
35	Log press	50035637		1
34	Splitting blade winch	47310		1
33	Valve mount cover	50034496		1
32	Fastener	50029950		1
31	Hex nut	96200	M12	1
30	Hex nut	96199	M10	3
29	Control handle Joystic HP50 Pro	97928		1
28	Regulating valve mount	50034501		1
27	Saw chain oil pump assembly	50034489		1
26	Gear + pump PTO, combi and electrical	50033220		1
25	Return filter frame	97741		1
24	Cylinder mounting plate	50033210		1
23	Drive end assembly HP 50 Pro complete	50033043		1
22	Cylinder	50027088		1
21	Pin	50025660		1
20	Measuring device bar	50025639		1
19	Log stopper	50035286		1
18	Slide	50035296		1
17	Hex nut	96436	M16	1
16	Hex nut	96437	M20	1
15	Socket set screw	96438	M20x40	1
14	Splitting valve kit	50034485		1
13	Return oil manifold	50034458		1
12	Upper support	50011978		1
11	Flange guard	47814		1
10	Log rack	47833		1
9	Gas spring with ends 350 Nm	95539		2
8	Protective cage	47870		1
7	Rear guard	50033185		2
6	Splitting mechanism trigger	50034533		1
5	Hex socket screw	96022	M10x20	3
4	Chain tensioner 3-way valve kit	50034460		1
3	Cooler kit	50034467		1
2	Height adjustment leg	50014783		4
1	Frame	50034000		1

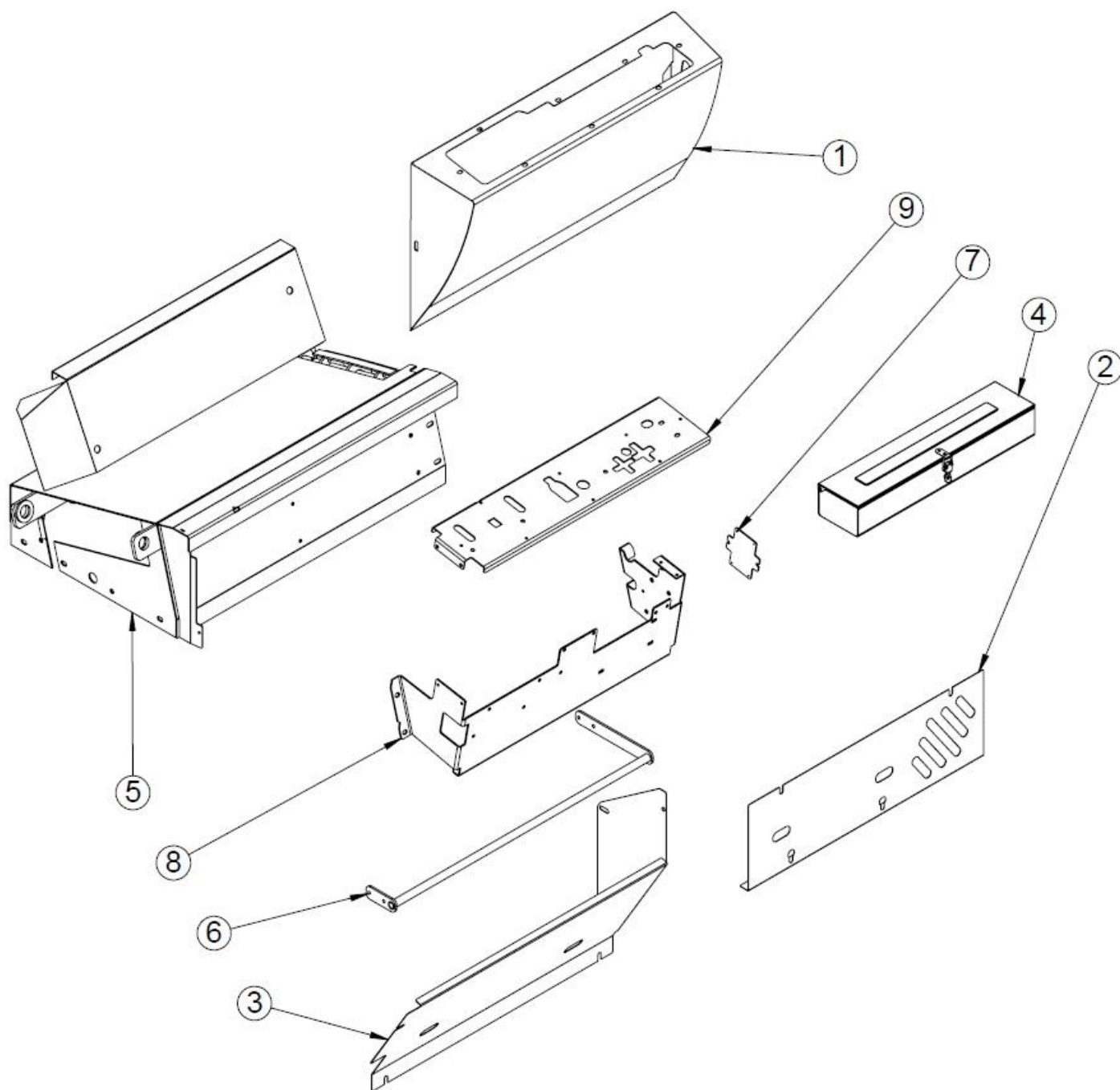
## 1.7 Control panel assembly (50037624)



**1.8 Control panel parts list**

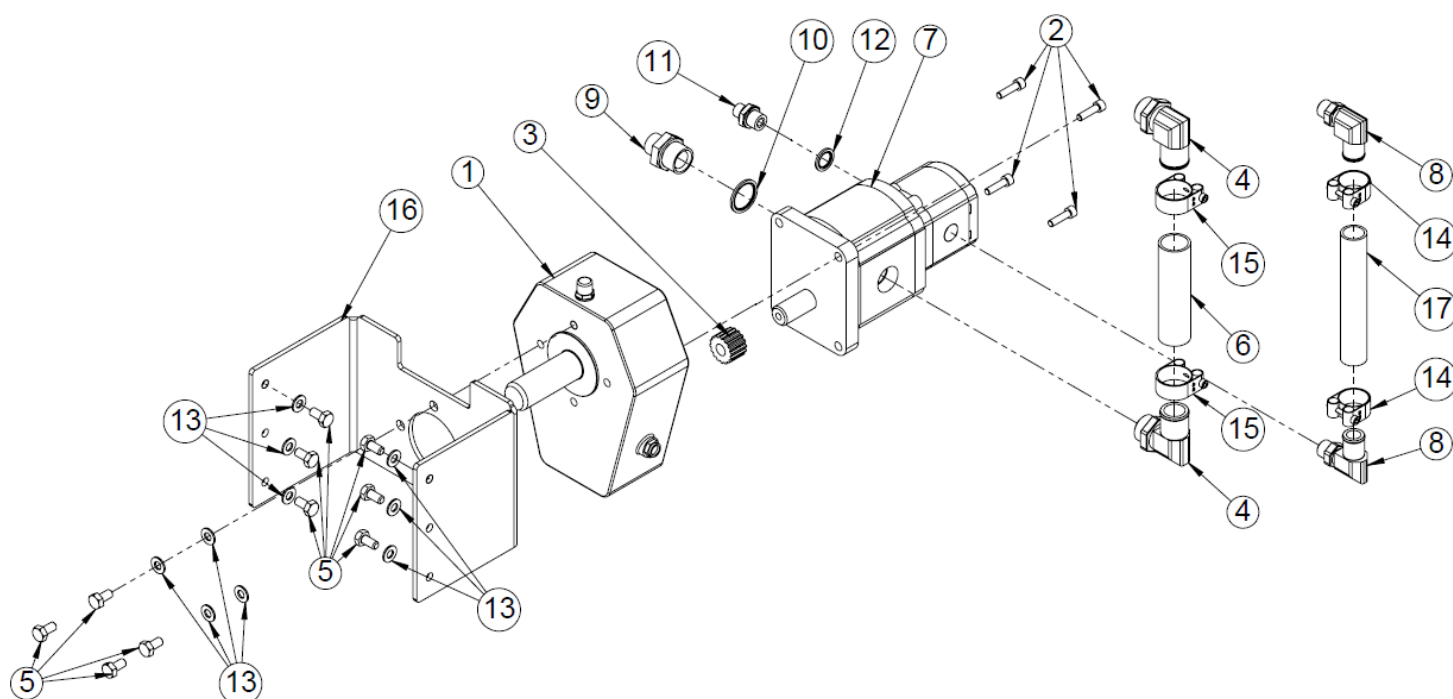
No.	Item	Part number	Dimensions	Pcs
1	Control valve bracket	50037600		1
2	4-block valve kit	50034457		1
3	Auxiliary valve	50034465		1
4	Out-feed conveyor valve	50034463		1
5	Hydraulic hose	97045	1,600 x 3/8"	5
6	Hydraulic hose	97089	1,800 x 3/8"	2
7	Hydraulic hose	97008	700 x 3/8"	2
8	Hose	97131	1,200 x 3/8"	2
9	Hydraulic hose	97103	3,700 x 3/8"	2
10	Hydraulic hose	97028	360 x 3/8"	1
11	Hydraulic hose	97180	500 x 3/8"	1
12	Double nipple	97203	3/8" x 1/2"	2
13	USIT	97213	1/2"	2
14	Quick coupler female	97388	1/2"	2
15	Retaining ring	96371	38	4
16	Hex screw	96127	M8x65	6
17	Hex screw	96125	M8x55	4
18	Washer	96061	A8	22
19	Locking nut	96222	M8	12
20	Cover plate	50039846		1
21	Panel shorter	50037180		1
22	Remote starter and fastener	50037338		1
23	Flange bolt	96427	8.8 ZN M8x12	16
24	Control handle	97928		1
25	Fastener	50029950		1
26	Hex nut	96199	M10	1
27	Hex nut	96200	M12	1
28	Rocker switch 2 x ON-OFF	95705		1
29	Saw bar speed adjustment	50029553		1
30	Flange bolt	96173	M8x20	2
31	Adjustable T connector	97230	3/8"	1
32	Guide plate valve	50040548		1
33	Hydraulic hose	97095	2,200 x 3/8"	3
34	Hydraulic hose	97178	850 x 3/8"	1
35	Hydraulic hose	97195	900 x 3/8"	2
36	Hydraulic hose	97035	1,400 x 3/8"	1
37	Hydraulic hose	97178	850 x 3/8"	1
38	Hydraulic hose	97008	700 x 3/8"	1

### 1.9 Guards (as of 20 May 2019)



No.	Item	Part number	Pcs
1	Panel shorter	50037180	1
2	Lower guard right	50034915	1
3	Front guard left	50034917	1
4	Toolbox, big	50021751	1
5	Log rack	50037190	1
6	Hose support	50037219	1
7	Remote starter plate	50037188	1
8	Control valve bracket	50037600	1
9	Cover plate	50039846	1

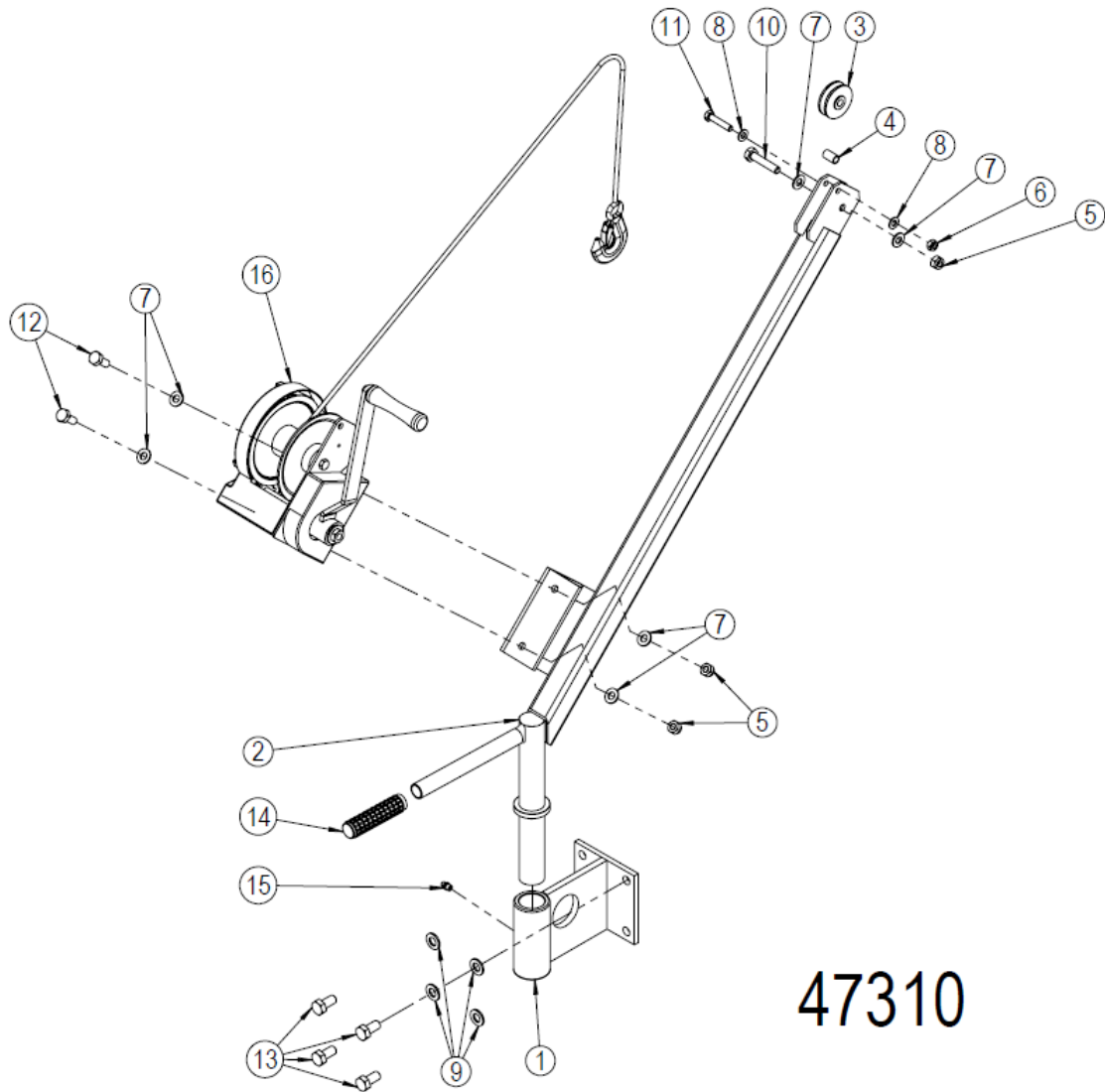
### 1.10 Exploded view of the power transmission (PTO)



No.	Item	Part number	Dimensions	Pcs
17	Suction hose Coroil 25 x 420 mm	97732	Ø25	1
16	Multiplier fastener	50033619	PL6	1
15	Steel hose clamp 40-32	97850		2
14	Steel hose clamp 40	97896		2
13	Washer	96049	A10	10
12	USIT 1/2"	97213		1
11	Double nipple 3/8" x 1/2"	97203		1
10	USIT 1"	97215		1
9	Double nipple 3/4" x 1"	97208		1
8	Suction connector 1/2"/25 mm	97893		1
7	Hydraulic pump 50 Pro	97878		1
6	Suction hose Coroil 32 x 950 mm	97587	Ø32x	1
5	Hex screw	96138	M10x20	10
4	Suction connector 1"/32 mm	97849		1
3	Boron bushing 3 series	95683		1
2	Hex socket screw	96341	M8x30	4
1	Multiplier gear ML52	95652		1



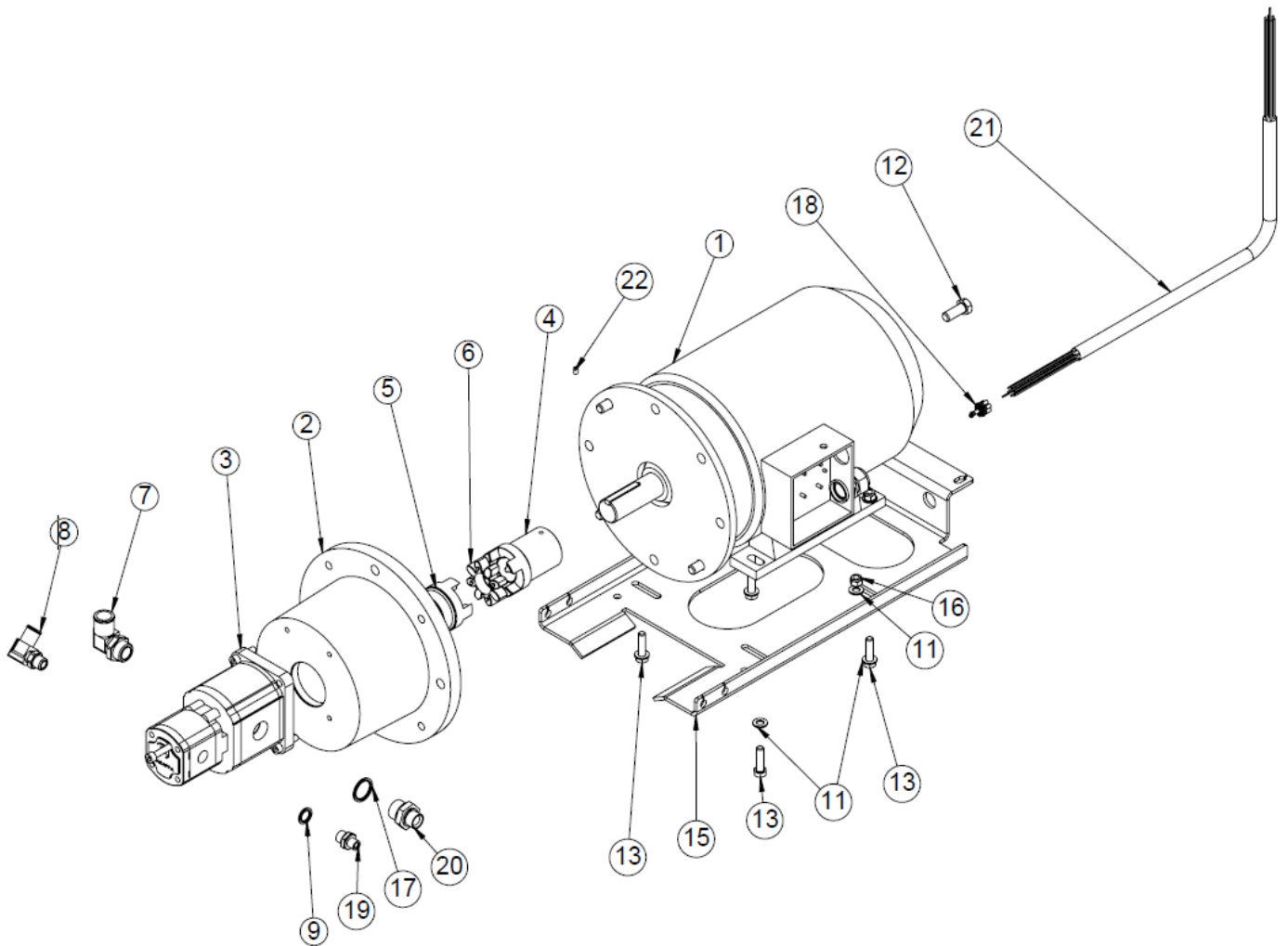
### 1.11 Exploded view of the winch (47310)



# 47310

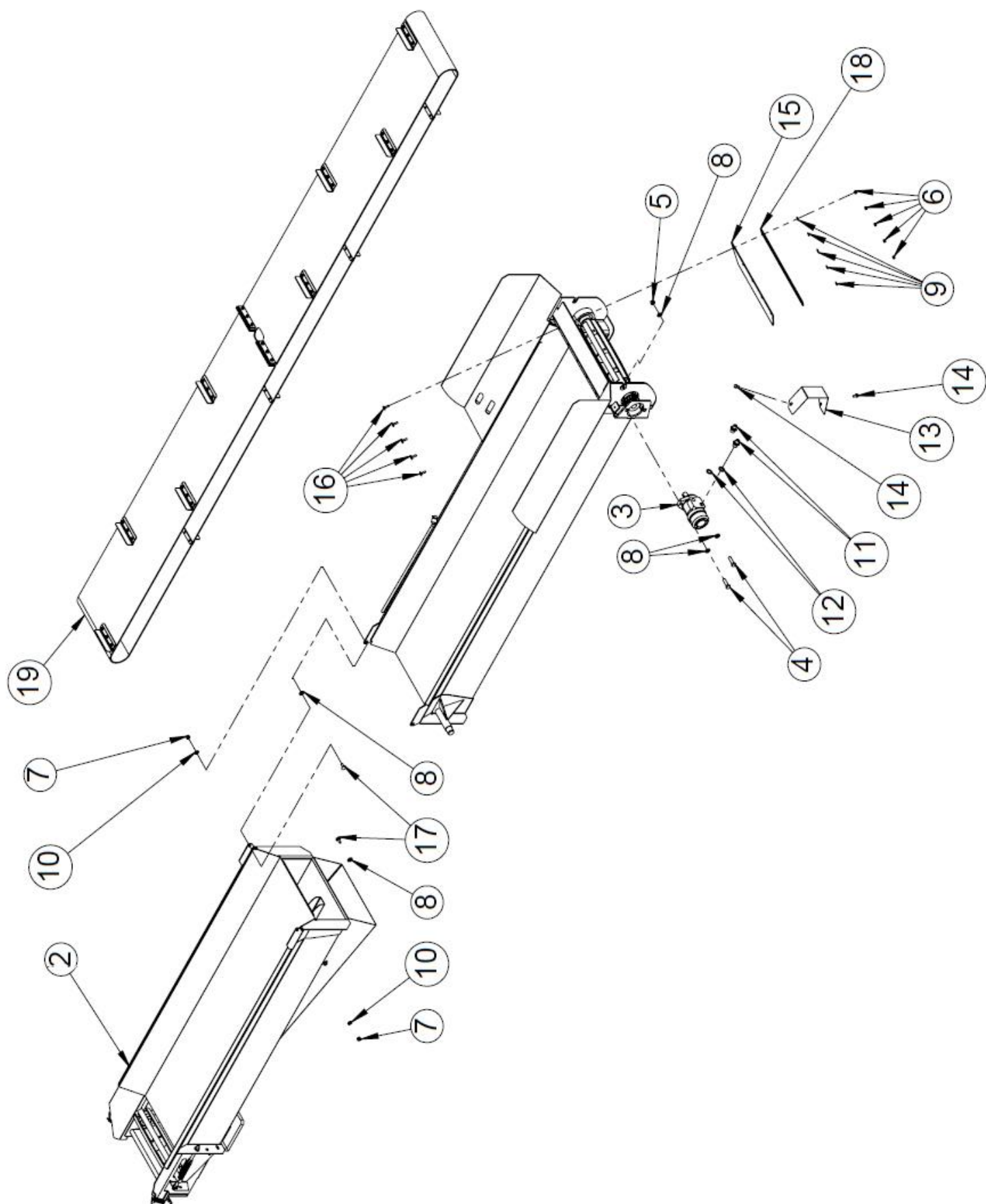
No.	Item	Part number	Dimensions	Pcs
16	Winch + wire and hook	95495		1
15	Lubrication nipple M8x1	96276		1
14	Handle	95034		1
13	Hex screw	96405	M12x25	4
12	Hex screw	96139	M10x25	2
11	Hex screw	96123	M8x40	1
10	Hex screw	96099	M10x50	1
9	Washer	96058	A12	4
8	Washer	96061	A8	2
7	Washer	96049	A10	6
6	Locking nut	96222	M8	1
5	Locking nut	96068	M10	3
4	Sheave pipe	47312a		1
3	Wire sheave	47311		1
2	Splitting blade lifting winch arm	47309		1
1	Splitting blade lifting winch mount	47308		1

### 1.12 Exploded view of the power transmission (electrical)



No.	Item	Part number	Dimensions	Pcs
22	Socket set screw pointed	96397	M8x12	1
21	Rubber cable	95221	1,150 mm	1
20	Double nipple 3/4" x 1"	97208		1
19	Double nipple 3/8" x 1/2"	97203		1
18	Split ring M6 blue	96372		7
17	USIT 1"	97215		1
16	Locking nut	96218	M12	4
15	Electric motor plate	50023608	PL6	1
14	Hex socket screw	96010	M10x40	4
13	Hex screw	96149	M12x45	4
12	Hex screw	96154	M16x40	4
11	Washer	96058	A12	8
10	Washer	96059	A16	4
9	USIT 1/2"	97213		1
8	Suction connector 1/2"/25 mm	97893		1
7	Suction connector 1"/32 mm	97849		1
6	Switch rubber R103	97872		1
5	Switch pump side	97871		1
4	Switch motor side	97870		1
3	Hydraulic pump	97878		1
2	Intermediate flange for 15 kW motor	97518		1
1	Electric motor 15 kW B3, B5 380 V	95463		1

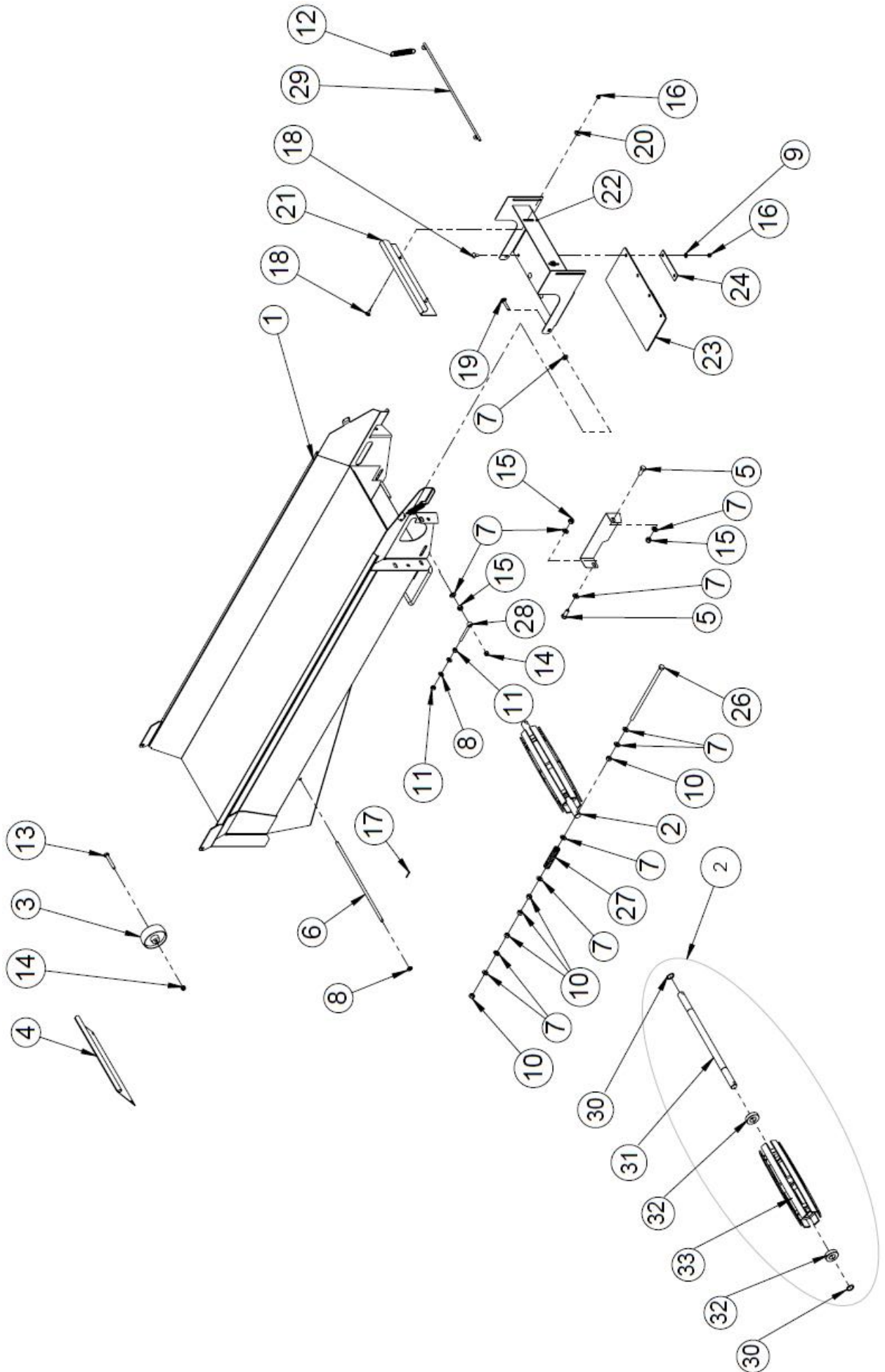
**1.13 Exploded view of the out-feed conveyor (50030200)**



**1.14 Out-feed conveyor parts list (50030200)**

<b>No.</b>	<b>Item</b>	<b>Part number</b>	<b>Dimensions</b>	<b>Pcs</b>
19	Conveyor belt intermittent	47800		1
18	Conveyor rubber flap fastening plate	47709		1
17	Lock screw	96186	M10x25	2
16	Lock screw	96191	M8x25	5
15	Rubber flap	95275		1
14	Flange bolt M8x16	96172		2
13	Guard	47654		1
12	USIT 1/2"	97213		2
11	Double nipple 3/8" x 1/2"	97203		2
10	Washer	96049	A10	2
9	Washer	96061	A8	5
8	Washer	96058	A12	6
7	Locking nut	96068	M10	2
6	Locking nut	96222	M8	5
5	Locking nut	96218	M12	2
4	Hex screw	96107	M12x45	2
3	Hydraulic motor MP50	97334		1
2	Conveyor upper part debris removal	50030189		1
1	Conveyor lower part	50030190		1

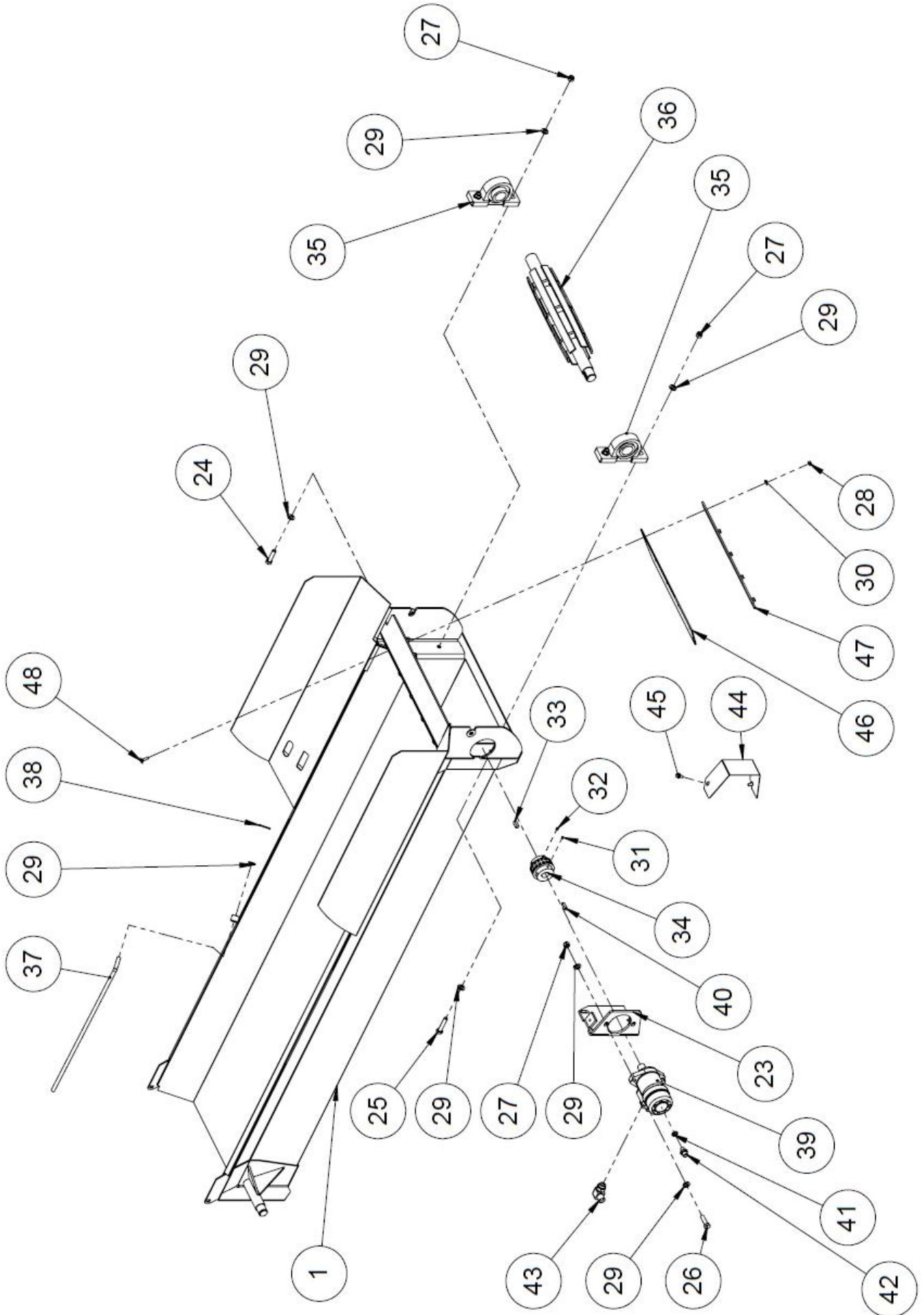
1.15 Upper section of the out-feed conveyor (50030189)



**1.16 Out-feed conveyor upper section parts list (50030189)**

<b>No.</b>	<b>Item</b>	<b>Part number</b>	<b>Dimensions</b>	<b>Pcs</b>
33	Roller	50001412		1
32	Bearing	95050	6205	2
31	Shaft	47636		1
30	Retaining ring	96042	25	2
29	Limiter bar	50030043		1
28	Eye bolt	96338	M10x90	2
27	Pressure spring	95722	d5 D24 L100	2
26	Hex screw	96355	M12x280	2
25	Roller protective plate	10858		1
24	Rubber fastening lower plate	37596		2
23	Debris separator rubber	50029792		1
22	Debris separator	50029728		1
21	Lip plate	47858		1
20	Washer	96085	M8	2
19	Lock screw	96312	M10x50	2
18	Lock screw	96187	M8x20	6
17	Split pin	96245	3.2x20	2
16	Locking nut	96222	M8	6
15	Locking nut	96218	M12	4
14	Locking nut	96068	M10	3
13	Hex screw	96317	M10x70	1
12	Draw spring	95390	2x20x100	2
11	Hex nut	96199	M10	4
10	Hex nut	96200	M12	10
9	Washer	96061	A8	4
8	Washer	96049	A10	6
7	Washer	96058	A12	19
6	Hinge rod	47863		1
5	Hex screw	96146	M12x30	2
4	Protective plate	47836		1
3	Wheel	95493	Manner 100 x 36	1
2	Conveyor upper roller	47711		1
1	Upper section frame	50030185		1

### 1.17 Lower section of the out-feed conveyor (50030190)

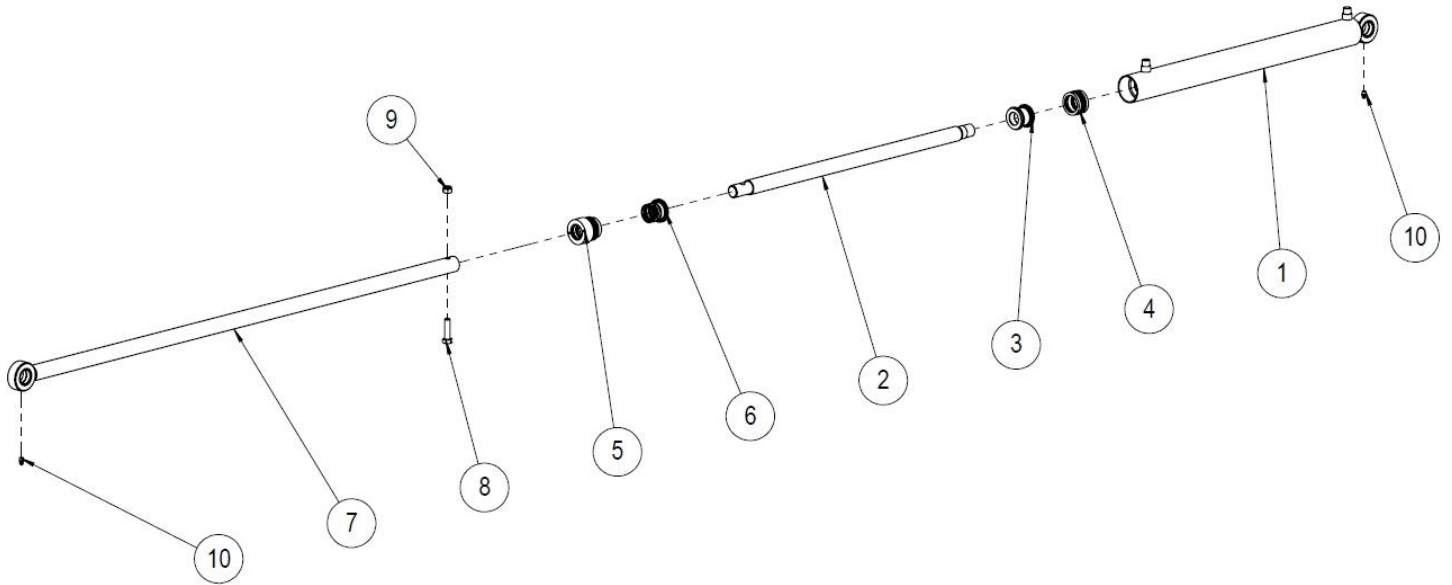


**1.18 Out-feed conveyor lower section parts list**

<b>No.</b>	<b>Part number</b>	<b>Item</b>	<b>Dimensions</b>	<b>Pcs</b>
1	50030191	Frame		1
23	50015466	Motor fastening plate		1
24	96108	Hex screw	M12x50	2
25	96109	Hex screw	M12x60	2
26	96107	Hex screw	M12x45	2
27	96218	Locking nut	M12	6
28	96222	Locking nut	M8	5
29	96058	Washer	A12	13
30	96061	Washer	A8	5
31	96362	Socket set screw	M6x8	2
32	96228	Socket set screw	M8x8	2
33	47642	Wedge	10x8 L=25	1
34	95448	Chain coupling		1
35	95059	Bearing	UCP208	2
36	50001410	Drive roller		1
37	47055	Conveyor belt holder		1
38	96246	Split pin	3.2x32	1
39	97334	Hydraulic motor	MP50CU	1
40	97371	Wedge hydraulic motor		1
41	97211	USIT 1/4"		1
42	97201	Double nipple 1/4" x 3/8"		1
43	97247	Directional corner nipple 1/2"		2
44	47654	Guard		1
45	96172	Flange bolt	M8x16	2
46	95275	Rubber flap		1
47	47709	Rubber flap fastener	5x30 L=490	1
48	96191	Lock screw	M8x25	5

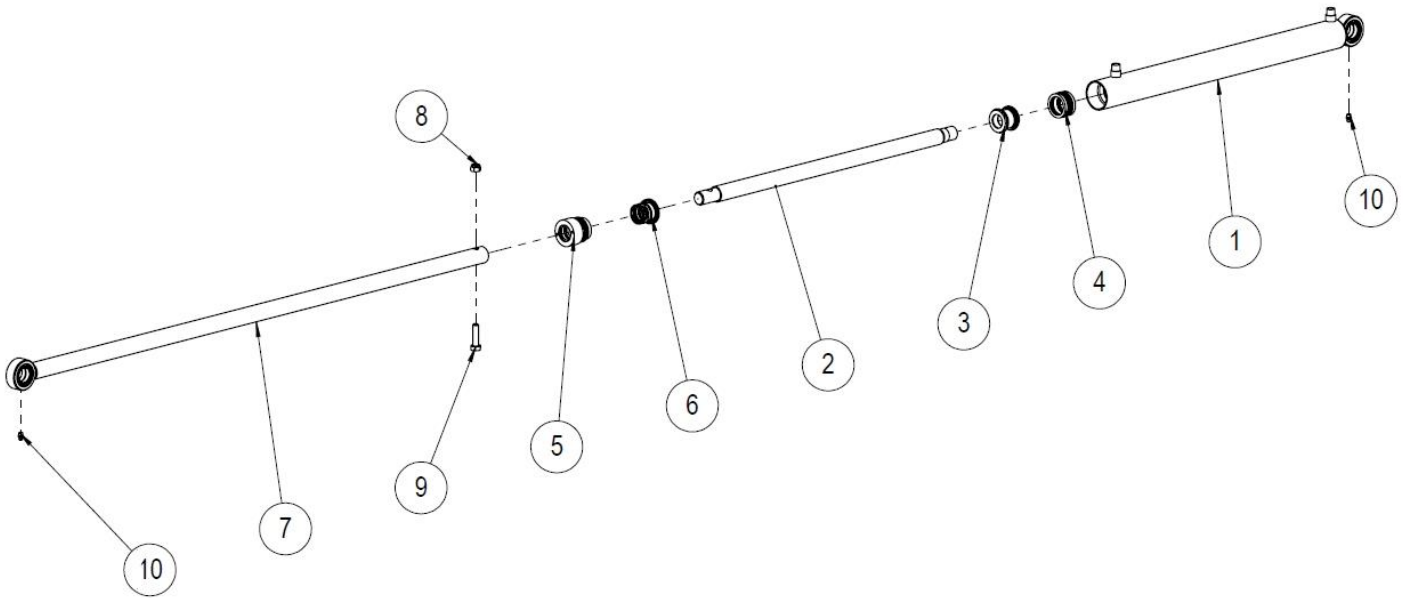


### 1.19 Out-feed conveyor lifting cylinder, left (50001988)



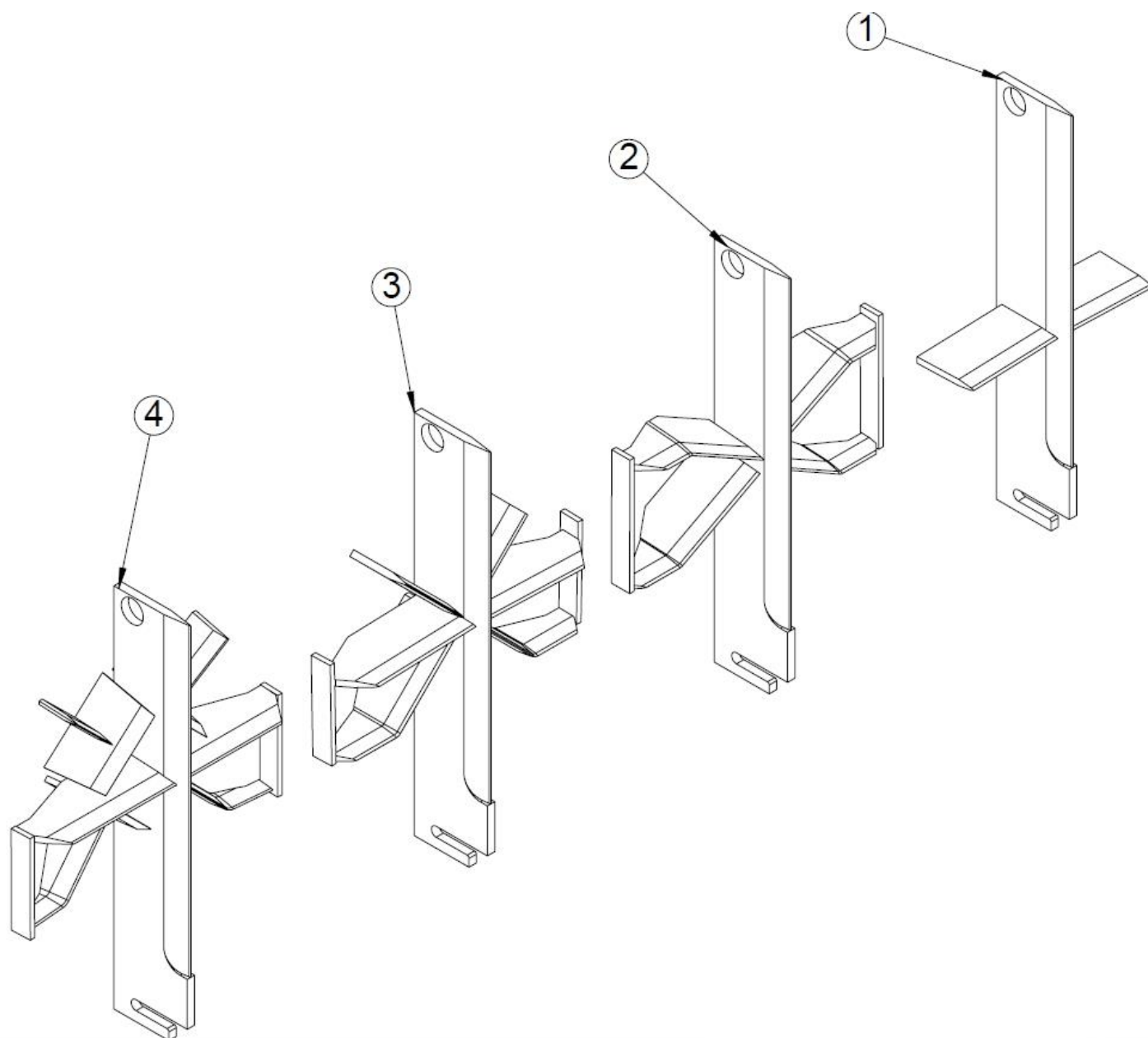
No.	Part number	Item	Dimensions	Pcs
1	47746	Cylinder pipe		1
2	47744	Cylinder rod	D32	1
3	10260	Piston		1
4	97294	Piston seal kit	50-32	1
5	10261	Rod guide		1
6	97294	Rod seal kit	50-32	1
7	47717	Cylinder connecting rod		1
8	96149	Hex screw	M12x45	1
9	96218	Locking nut	M12	1
10	96276	Lubrication nipple	M8X1	2

### 1.20 Out-feed conveyor lifting cylinder, right (50001989)



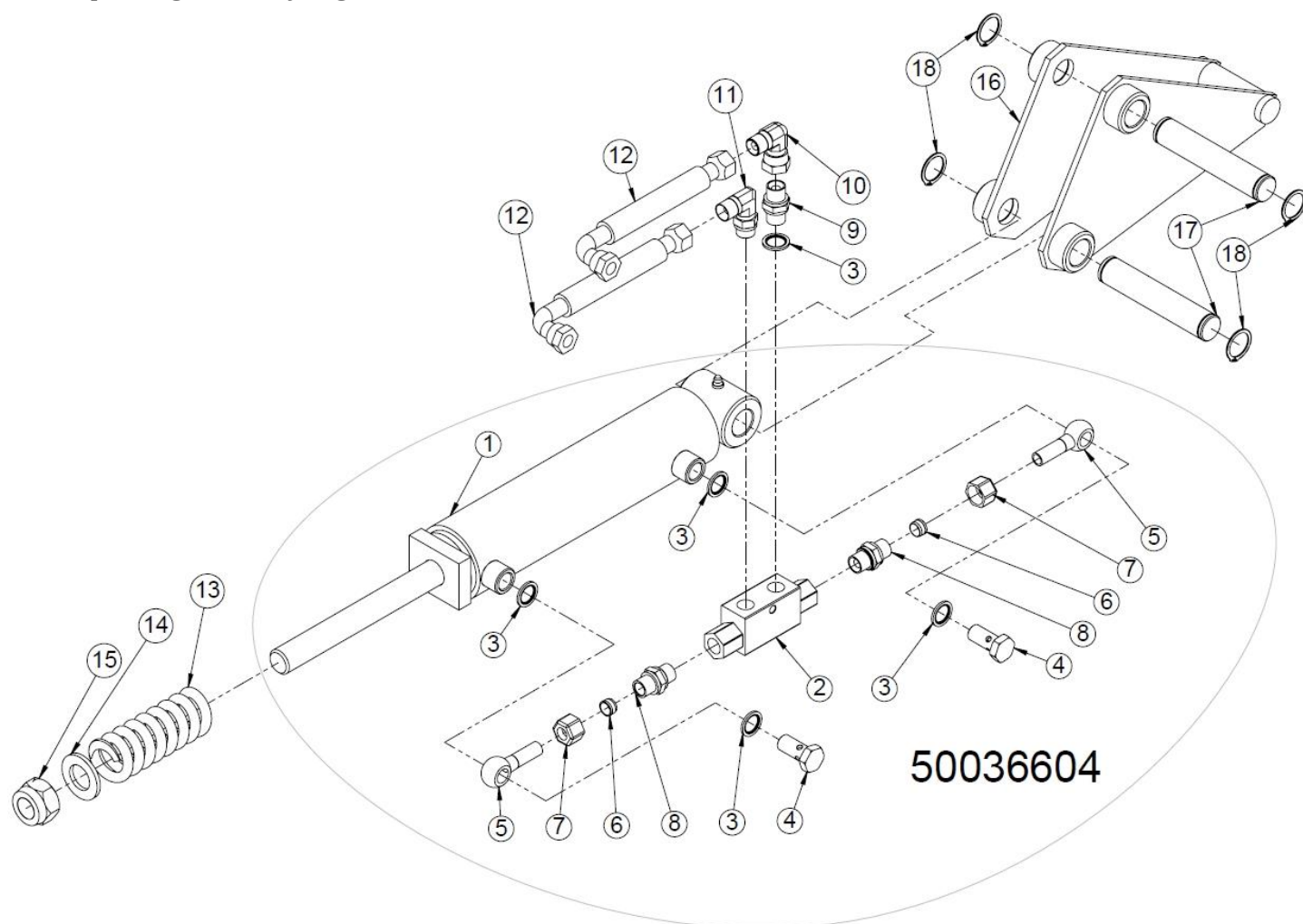
No.	Part number	Item	Dimensions	Pcs
1	47751	Cylinder pipe		1
2	47744	Cylinder rod	D32	1
3	10260	Piston		1
4	97294	Piston seal kit	50-32	1
5	10261	Rod guide		1
6	97294	Rod seal kit	50-32	1
7	47740	Cylinder connecting rod		1
8	96218	Locking nut	M12	1
9	96149	Hex screw	M12x45	1
10	96276	Lubrication nipple	M8X1	2

## 1.21 Splitting blades



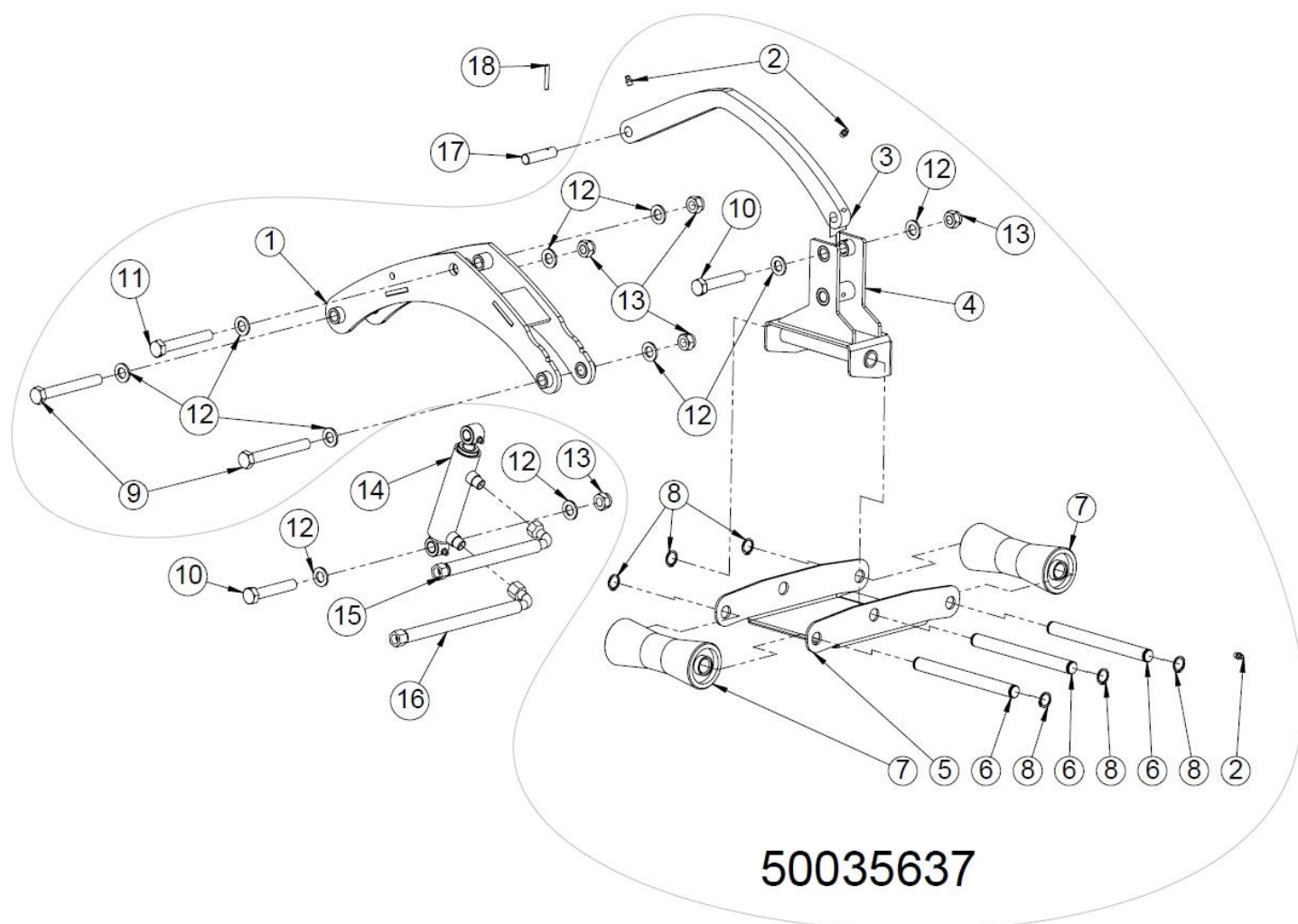
No.	Item	Part number	Pcs
4	12-way splitting blade	50018117	1
3	8-way splitting blade	47679	1
2	6-way splitting blade	47768	1
1	4-way splitting blade	47764	1

## 1.22 Splitting blade lifting unit



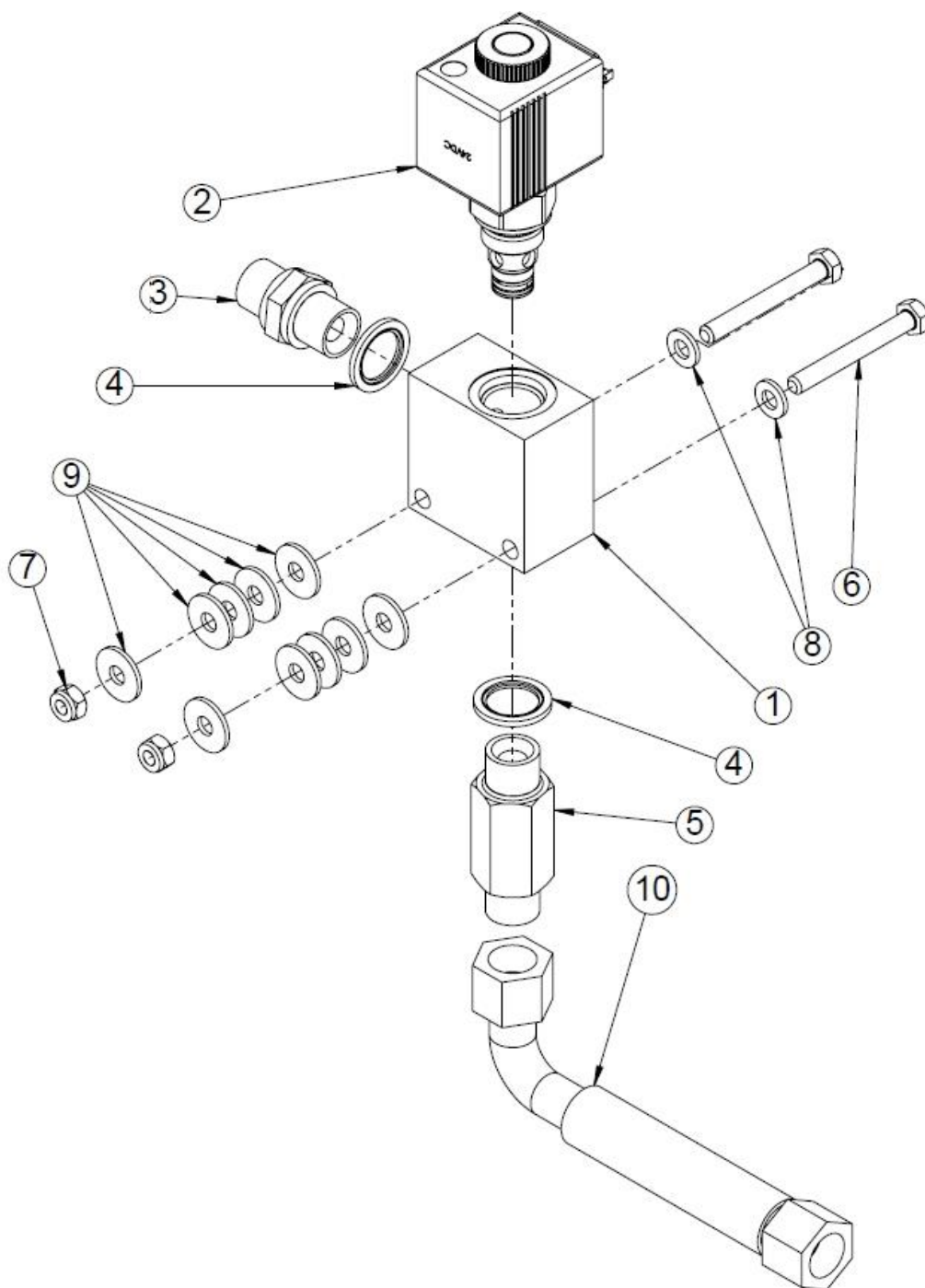
No.	Item	Part number	Dimensions	Pcs
18	Retaining ring	96042	25	4
17	Splitting blade adjustment pin	47052	Ø25 L=130	2
16	Blade lifter	47050		1
15	Locking nut	96214	M24	1
14	Washer	96054	A24	1
13	Pressure spring Ø26-9-120	95026		1
12	Hose 1,200 x 3/8 straight/90° + protective cover	97131		2
11	Directional corner nipple 3/8"	97250		1
10	Corner nipple 90° 3/8" ext. thread x 3/8" int. thread	97240		1
9	Double nipple 3/8" x 3/8"	97202		1
8	Connecting nipple/output connector frame	97223		2
7	Mantle nut 3/8"-12 mm pipe	97466		2
6	Cutting ring 12 mm	97465		2
5	Banjo fitting with pipe	97262		2
4	Banjo bolt BSB 3/8"	97258		2
3	USIT 3/8"	97212		5
2	Lock valve 0.5 bar	97854		1
1	Splitting blade cylinder assembly	47733		1

## 1.23 Log press



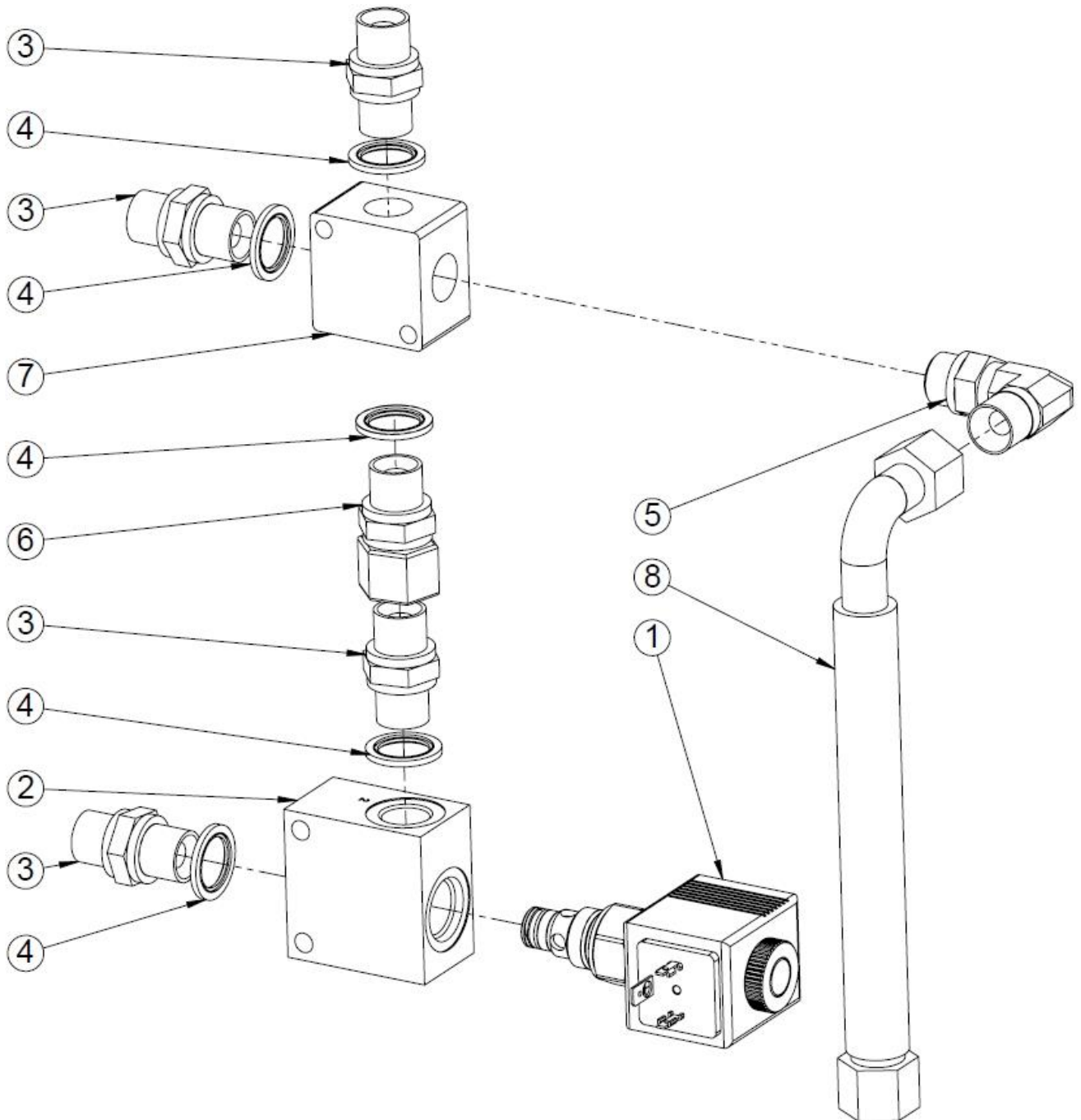
No.	Item	Part number	Dimensions	Pcs
18	Spring pin	96354	6x24	1
17	Pin	47442	Ø16 L=63	1
16	Hydraulic hose 1,600 x 3.8" straight/90°	97045		1
15	Hydraulic hose 1,000 x 3.8" straight/90° 350 bar	97025		1
14	Hydraulic cylinder	47381		1
13	Locking nut	96219	M16	5
12	Washer	96059	A16	10
11	Hex screw	96351	M16x110	1
10	Hex screw	96118	M16x90	2
9	Hex screw	96113	M16x130	2
8	Retaining ring	96040	20	6
7	Keel roller	95001		2
6	Pin	50029234	Ø20	3
5	Press plate	50007756	PL4	1
4	Hanger	50035627		1
3	Stabiliser rod	50014645	PL20	1
2	Lubrication nipple M8x1	96276		3
1	Press frame	47904		1

### 1.24 Log press retainer valve (50035859)



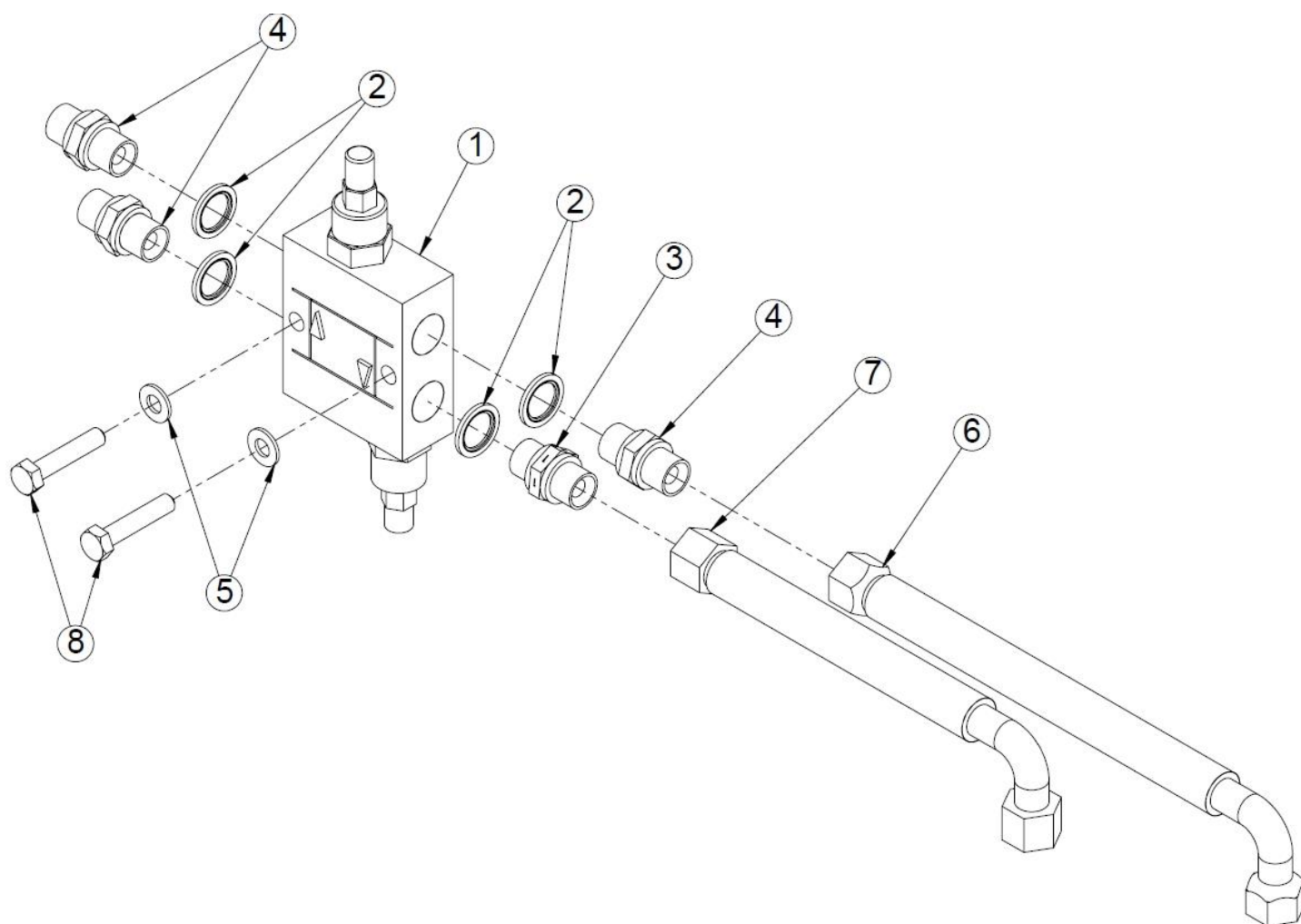
No.	Item	Part number	Dimensions	Pcs
10	Hydraulic hose 200 x 3.8" straight/90°	97146		1
9	Washer	96084	M6	10
8	Washer	96060	A6	2
7	Locking nut	96221	M6	2
6	Hex screw	96119	M6x50	2
5	Long double nipple 3/8"	3046		1
4	USIT 3/8"	97212		2
3	Double nipple 3/8" x 3/8"	97202		1
2	Cartridge valve	97887		1
1	Cartridge valve block 3	97888		1

### 1.25 Log press control valve (50034462)



No.	Item	Part number	Pcs
8	Hydraulic hose 700 x 3.8" straight/90°	97008	1
7	Distribution block	50033770	1
6	Connecting nipple 3/8" ext. thread x 3/8" int. thread	97219	1
5	Directional corner nipple 3/8"	97250	1
4	USIT 3/8"	97212	5
3	Double nipple 3/8" x 3/8"	97202	4
2	Cartridge valve block 3	97888	1
1	Cartridge valve	97887	1

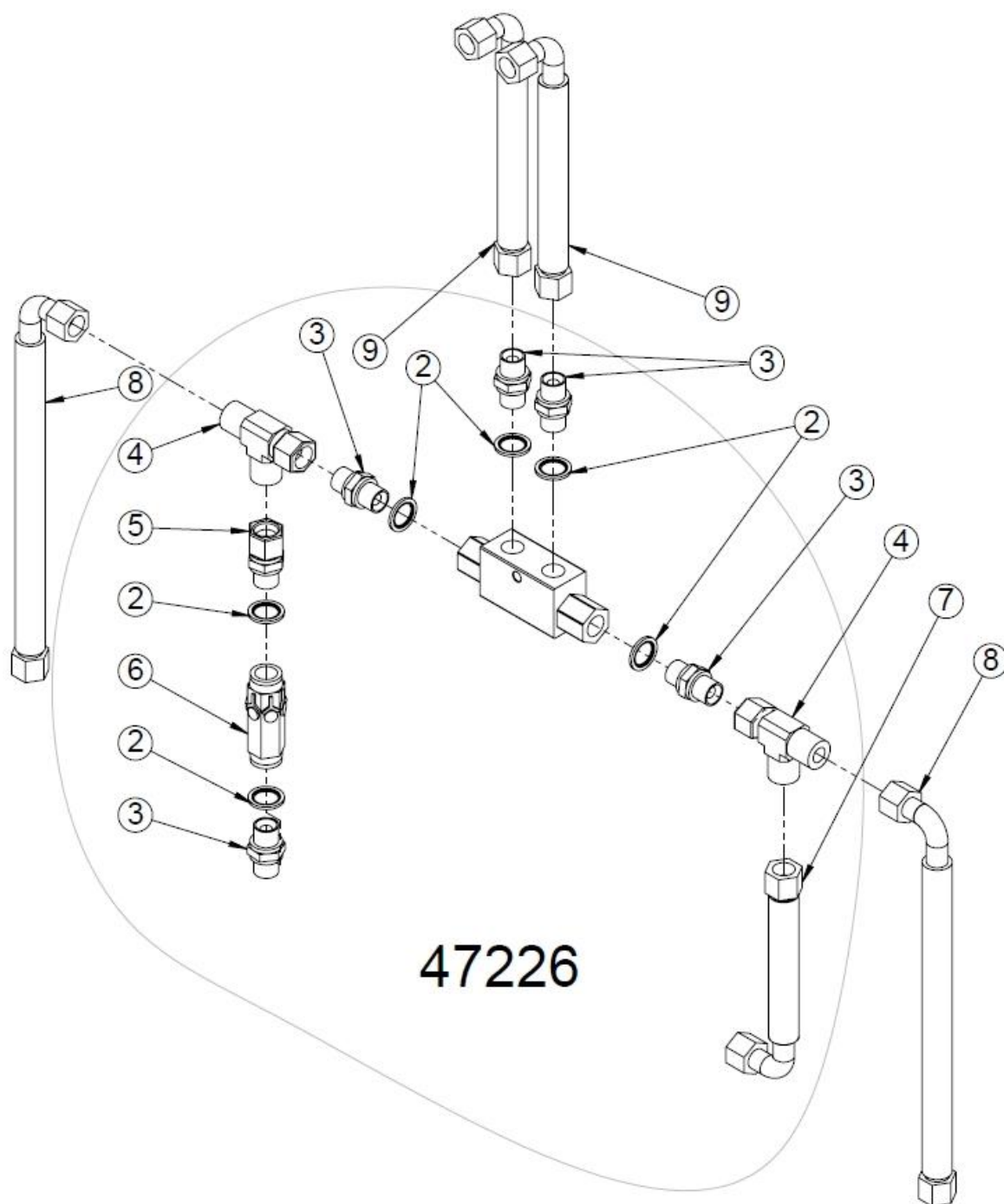
### 1.26 Relief valve, out-feed conveyor turning cylinder (50034430)



No.	Item	Part number	Dimensions	Pcs
8	Hex screw	96123	M8x40	2
7	Hydraulic hose	97008	700 x 3/8"	1
6	Hydraulic hose	97025	1,000 x 3/8"	1
5	Washer	96061	A8	2
4	Double nipple	97202	3/8" x 3/8"	3
3	Choke nipple	97276	3/8", 1 mm	1
2	USIT	97212	3/8"	4
1	Double pressure relief valve	97904	3/8"	1

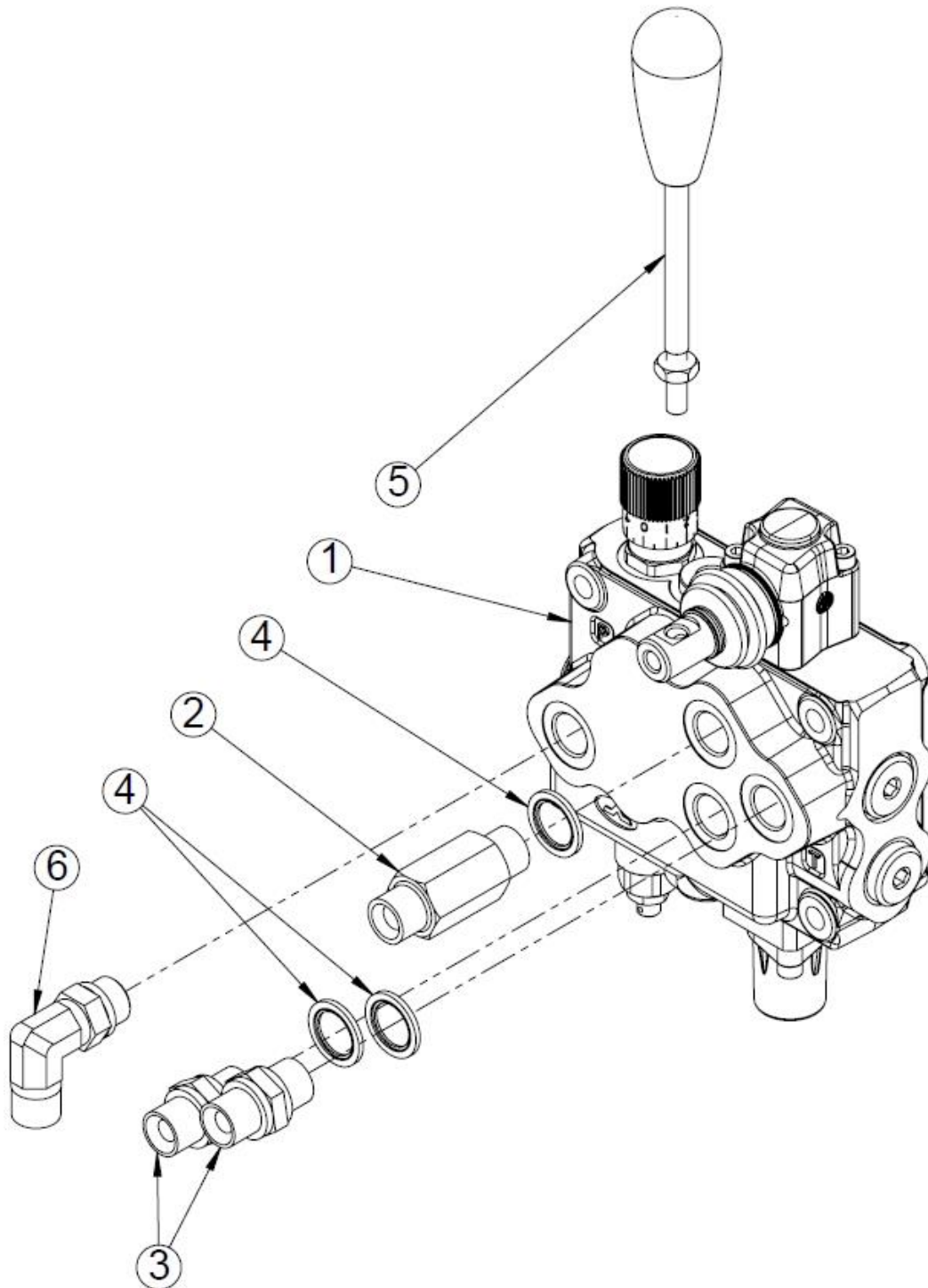


### 1.27 Out-feed conveyor lock valve (lifting/lowering)



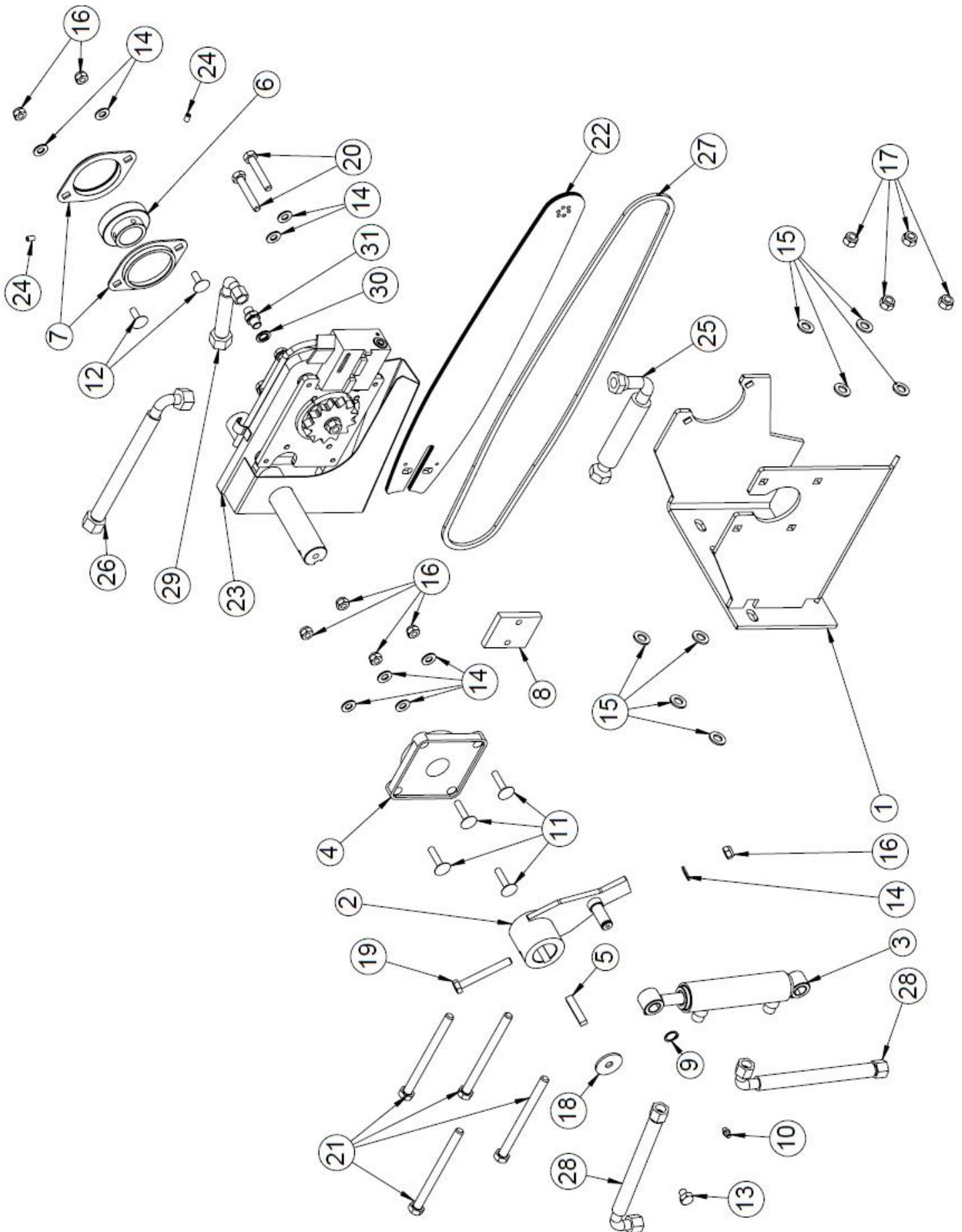
No.	Item	Part number	Pcs
9	Hydraulic hose 700 x 3/8"	97008	2
8	Hydraulic hose 2,400 x 3/8"	97198	2
7	Hydraulic hose 360 x 3/8"	97028	1
6	Check valve 3/8" 2 bar	97616	1
5	Connecting nipple 3/8" x 3/8"	97219	1
4	Adjustable L connector 3/8"	97234	2
3	Double nipple 3/8" x 3/8"	97202	5
2	USIT 3/8"	97212	6
1	Lock valve	97854	1

### 1.28 Out-feed conveyor control valve (50034463)



No.	Item	Part number	Pcs
6	Directional elbow nipple	97250	1
5	AL01 M8 120 lever	97423	1
4	USIT 3/8"	97212	4
3	Double nipple 3/8" x 3/8"	97202	3
2	Long double nipple 3/8"	3046	1
1	Out-feed conveyor valve	97879	1

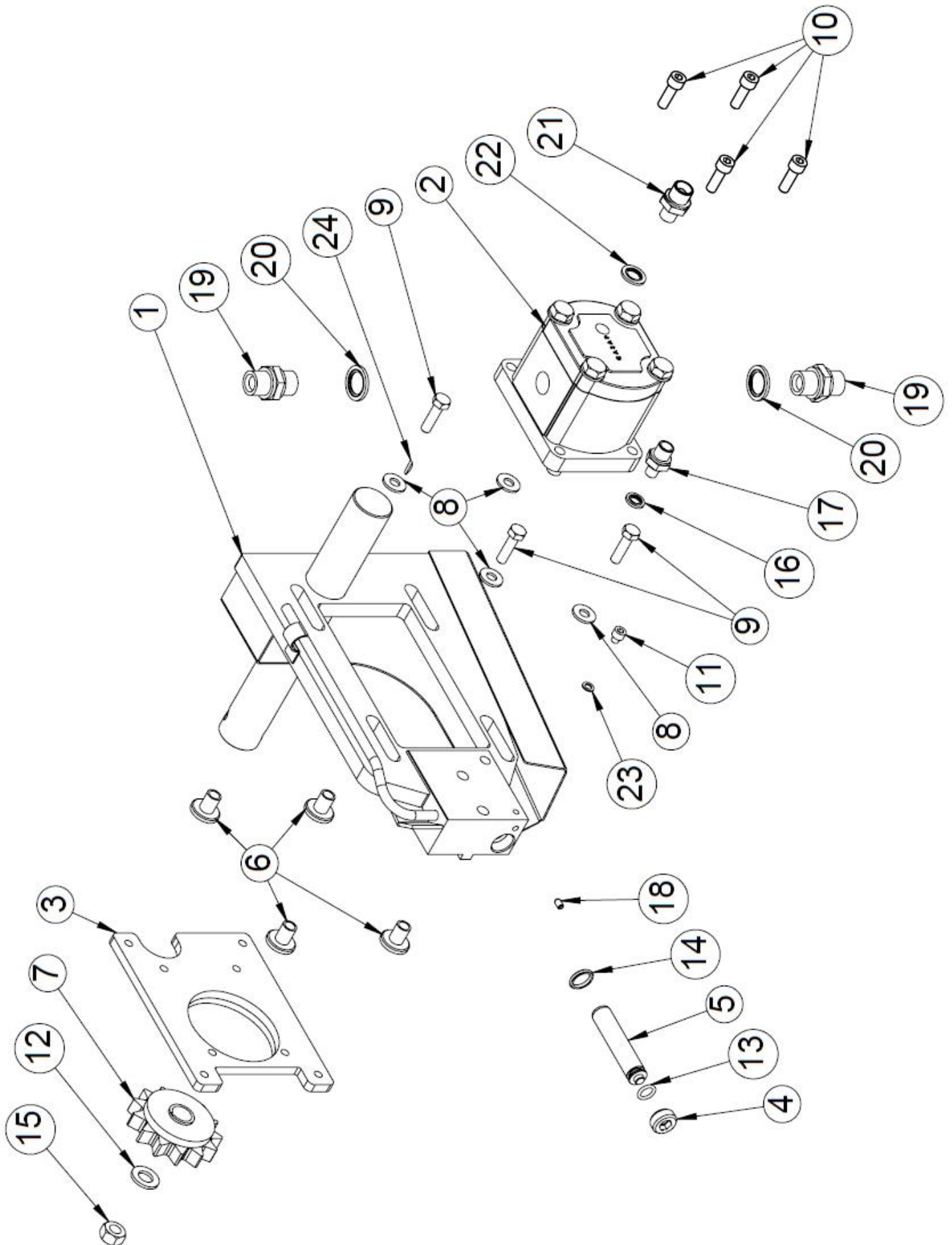
## 1.29 Saw unit (50033043)



**1.30 Saw unit parts list (50033043)**

No.	Item	Part number	Dimensions	Pcs
31	Double nipple	97200		1
30	USIT	97211	1/4"	1
29	Hydraulic hose	97146		1
28	Hydraulic hose	97178	850 x 3/8"	2
27	Saw chain .404 1.6 mm 72 drive links 0.8 mm	95719		1
26	Hydraulic hose	97058	1,500	1
25	Hydraulic hose	97111	1,200 x 1/2"	1
24	Socket set screw pointed	96397	M8x12	2
23	Hydraulic chain tensioner	50028446		1
22	Saw bar	95137	20"	1
21	Hex screw	96105	M12x150	4
20	Hex screw	96100	M10x60	2
19	Hex screw	96445	M10x80	1
18	Washer	10492	Ø40xØ11 L=3	1
17	Locking nut	96218	M12	4
16	Locking nut	96068	M10	7
15	Washer	96058	A12	8
14	Washer	96049	A10	9
13	Hex screw	96137	M10x12	1
12	Lock screw	96186	M10x25	2
11	Lock screw	96314	M10x40	4
10	Lubrication nipple	96273	M6X1	1
9	Retaining ring	96038	16	1
8	Saw bar fastening plate	47294	10x60 L=70	1
7	Bearing housing	50025848	PFL 7 FK	2
6	Bearing	50025848	SB207 (B7) FK	1
5	Wedge	47837	10x8 L=50	1
4	Bearing unit	95277	UCF207	1
3	Hydraulic cylinder	47381		1
2	Cylinder mounting	50033613		1
1	Drive end mount	50033719		1

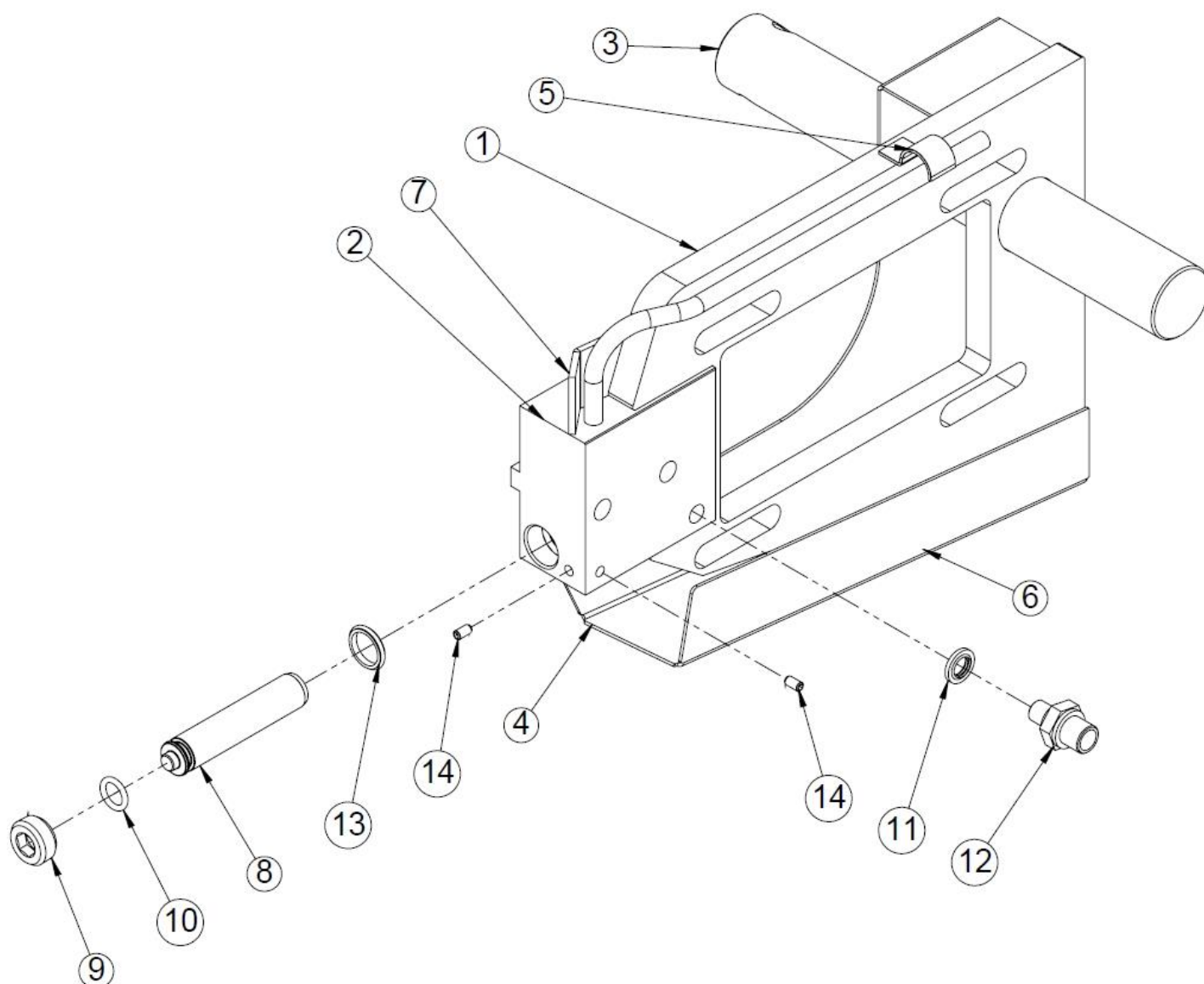
### 1.31 Automatic chain tensioner (50028446)



**1.32 Chain tensioner parts list**

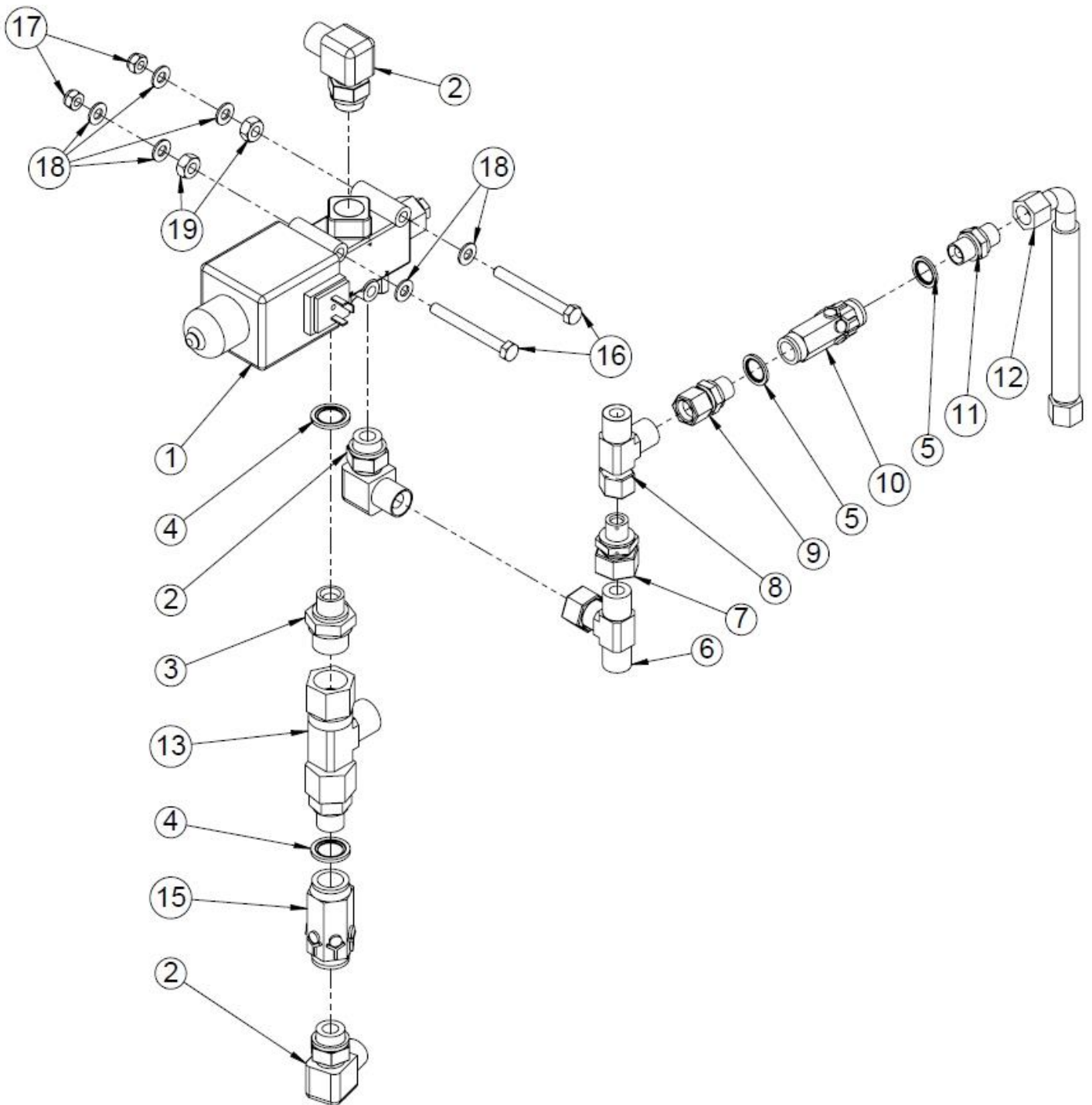
<b>No.</b>	<b>Item</b>	<b>Part number</b>	<b>Dimensions</b>	<b>Pcs</b>
23	Copper washer	96557	6 x10 x1	1
22	USIT	97211	1/4"	1
21	Double nipple	97201	1/4" x 3/8"	1
20	USIT	97213	1/2"	2
19	Double nipple	97204	1/2" x 1/2"	2
18	Socket set screw	96362	M6x8	1
17	Double nipple	97729	1/4" x 1/8"	1
16	USIT	97730	1/8"	1
15	Hex nut	96200	M12	1
14	Spindle seal	97717	16 + OR	1
13	O ring	97731	12 x 2.5	1
12	Washer	96058	A12	1
11	Hex socket screw	96558	M6x6	1
10	Hex socket screw	96035	M8x25	4
9	Hex screw	96165	M8x30	4
8	Plastic cleat washer	96404	M8	4
7	Chain drive wheel	50004550		1
6	Intermediate bushing	50027387		4
5	Cylinder rod	50025782	Ø16	1
4	Plug	97728	1/2"	1
3	Sliding plate assembly	50027418		1
2	Gear motor 50 Pro	97589	DH	1
1	Drive end frame	50027417		1

### 1.33 Saw drive head assembly (50027417)



No.	Item	Part number	Dimensions	Pcs
14	Socket set screw	96362	M6x8	2
13	Spindle seal	97717		1
12	Double nipple	97729	1/4" x 1/8"	1
11	USIT	97730	1/8"	1
10	O ring	97731	12 x 2.5	1
9	Plug	97728	1/2"	1
8	Cylinder rod	50025782		1
7	Oil pipe protective strip	47273		1
6	Reinforcement plate	10034a		1
5	Pipe fastening strap	10035b		1
4	Sawdust guide	50027390		1
3	Drive head shaft	50020309		1
2	Flange fastening	50029497		1
1	Drive head plate	50027385		1

## 1.34 Saw valve

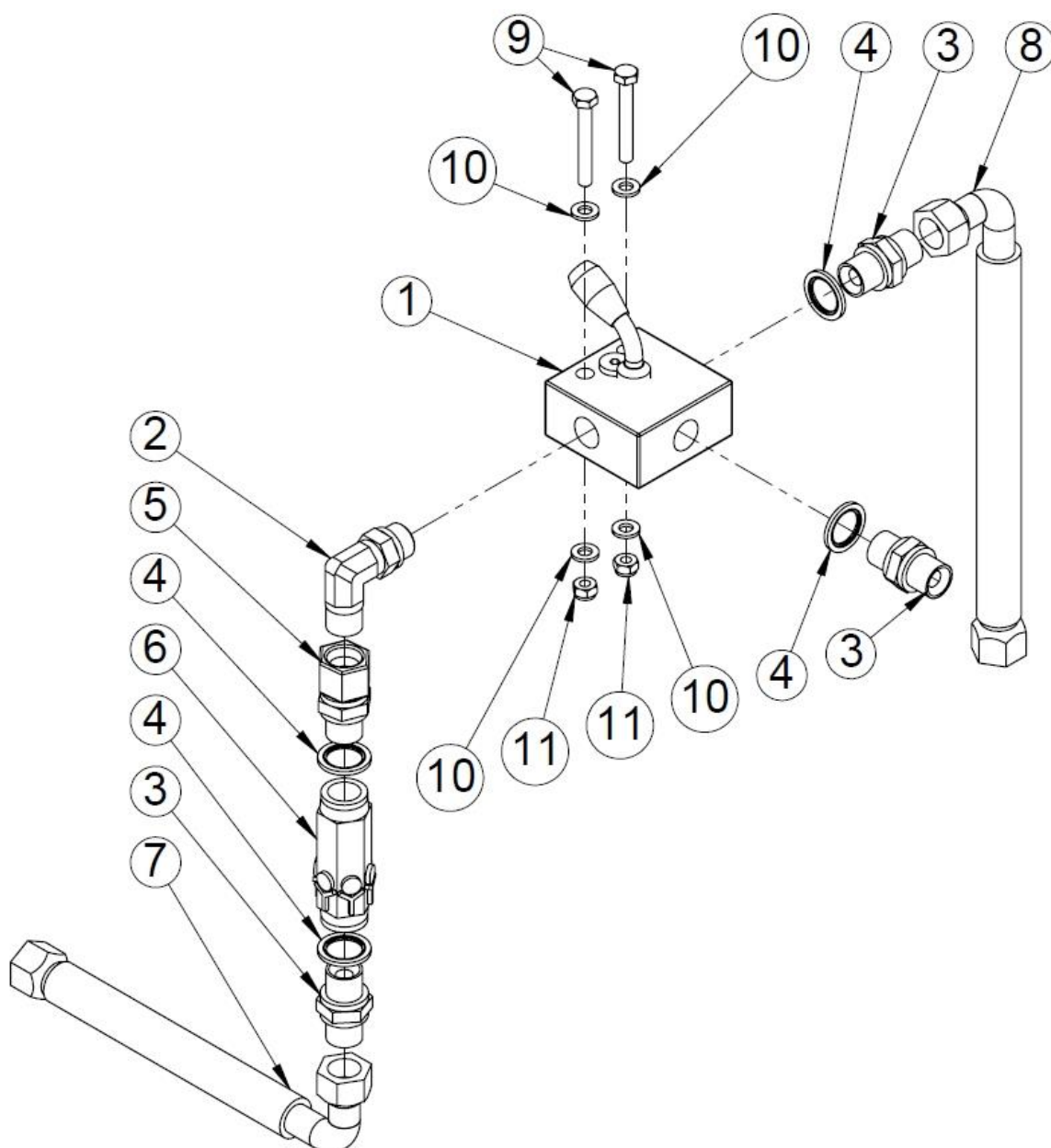




**1.35 Saw valve parts list**

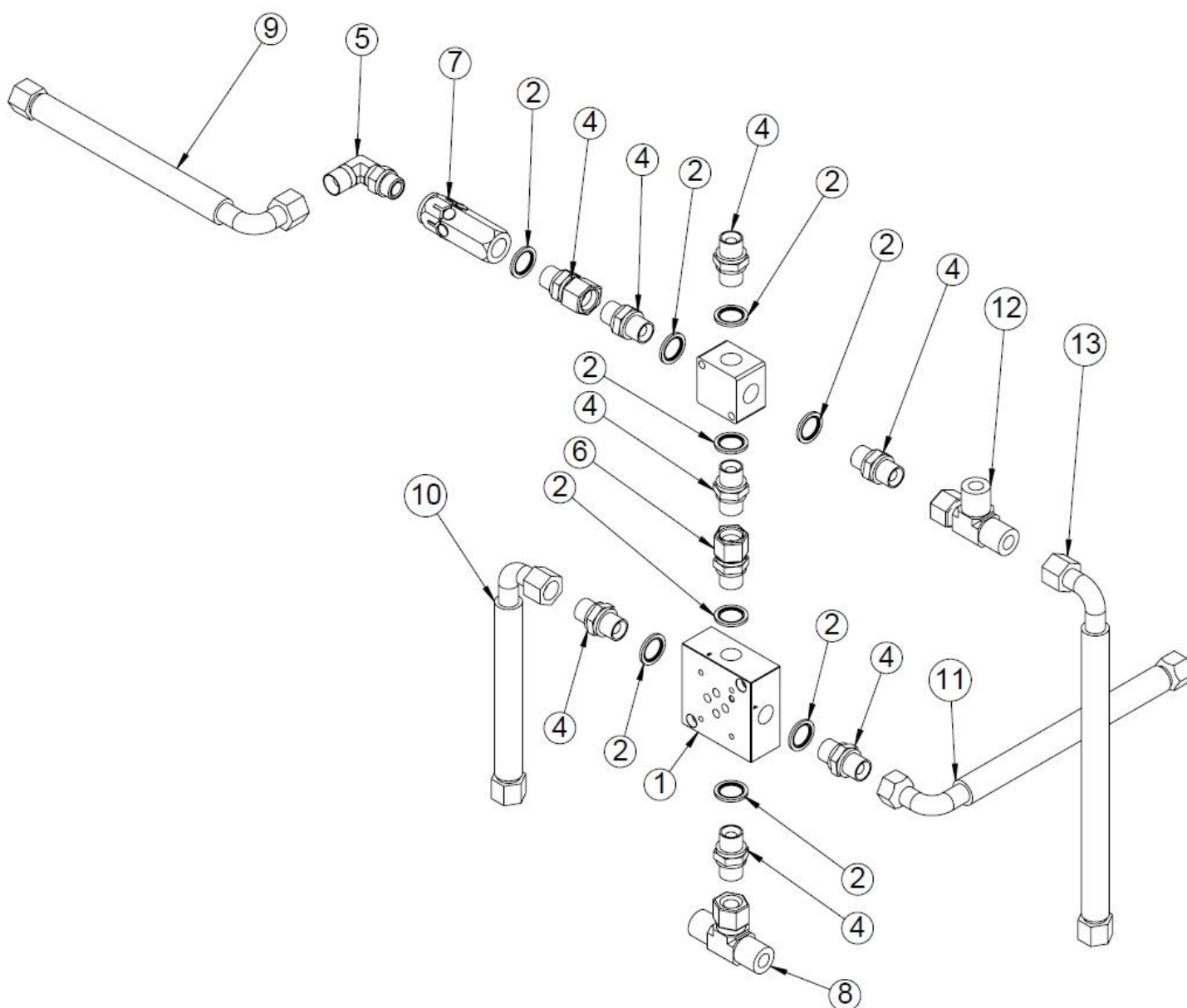
<b>No.</b>	<b>Item</b>	<b>Part number</b>	<b>Dimensions</b>	<b>Pcs</b>
19	Hex nut	96199	M10	2
18	Washer	96061	A8	6
17	Locking nut	96222	M8	2
16	Hex screw	96128	M8x75	2
15	Check valve 1/2" 0.5 bar	97252		1
14	Connecting nipple 1/2" ext. thread x 3/4" int. thread	97221		1
13	Adjustable L connector 3/4"	97235		1
12	Hydraulic hose 550 x 3.8" straight/90°	97185		1
11	Double nipple 3/8" x 3/8"	97202		1
10	Check valve 3/8" 0.5 bar	97251		1
9	Connecting nipple 3/8" ext. thread x 3/8" int. thread	97219		1
8	Adjustable L connector 3/8"	97234		1
7	Connecting nipple 3/8" ext. thread x 1/2" int. thread	97218		1
6	Adjustable T connector 1/2"	97229		1
5	USIT 3/8"	97212		2
4	USIT 1/2"	97213		2
3	Double nipple 1/2" x 3/4"	97205		1
2	Directional corner nipple 1/2"	97247		3
1	Saw valve	97883		1

## 1.36 Chain tensioner valve



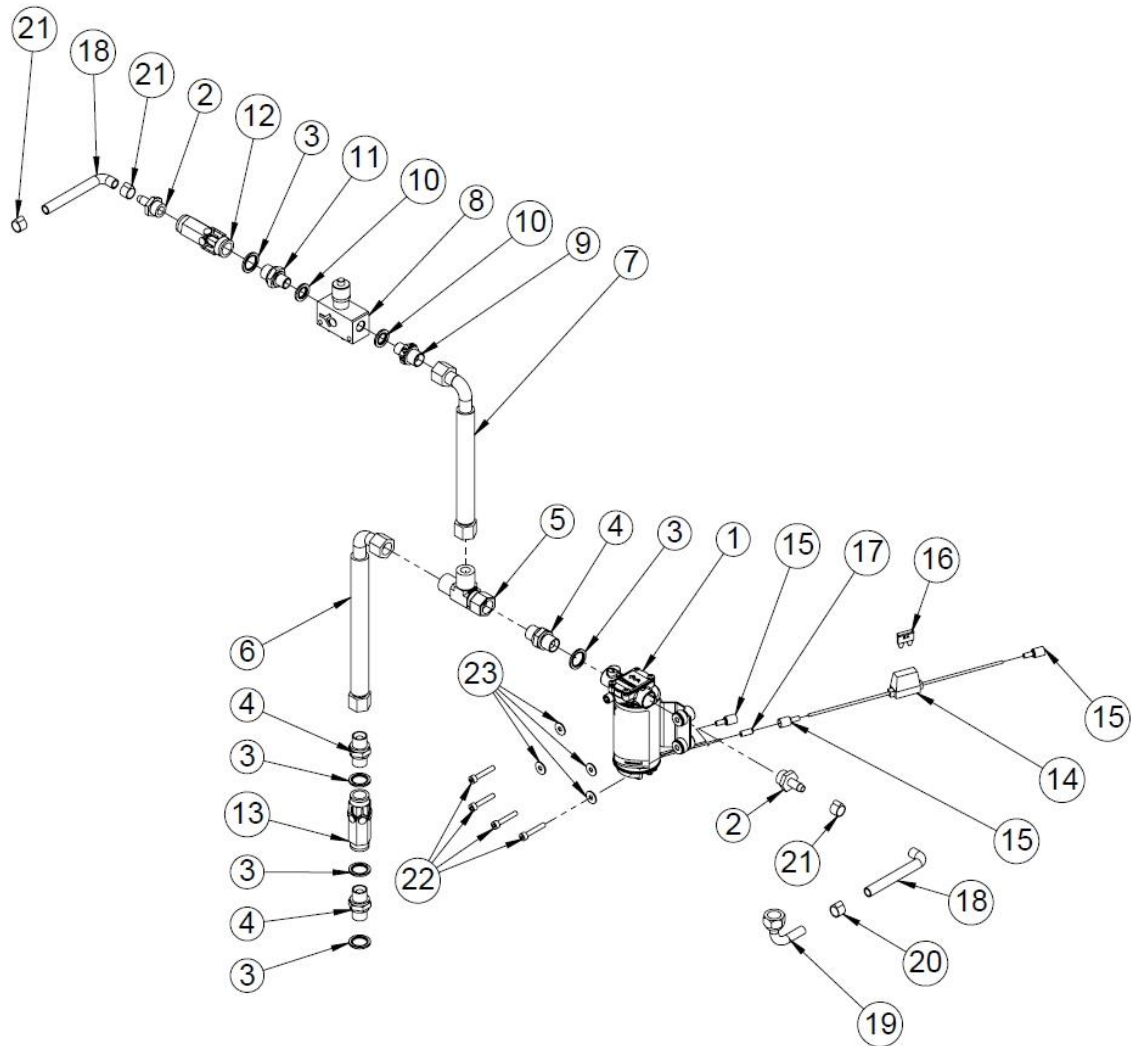
No.	Item	Part number	Dimensions	Pcs
11	Locking nut	96221	M6	2
10	Washer	96060	A6	4
9	Hex screw	96336	M6x45	2
8	Hydraulic hose	97176	1,300 x 3/8"	1
7	Hydraulic hose 350 bar	97044	450 x 3/8"	1
6	Check valve 0.5 bar	97251	3/8"	1
5	Connecting nipple	97219	3/8"	1
4	USIT	97212	3/8"	4
3	Double nipple	97202	3/8"	3
2	Directional elbow nipple	97250	3/8"	1
1	3-way valve	97533	3/8"	1

### 1.37 Saw bar lowering valve (50034466)



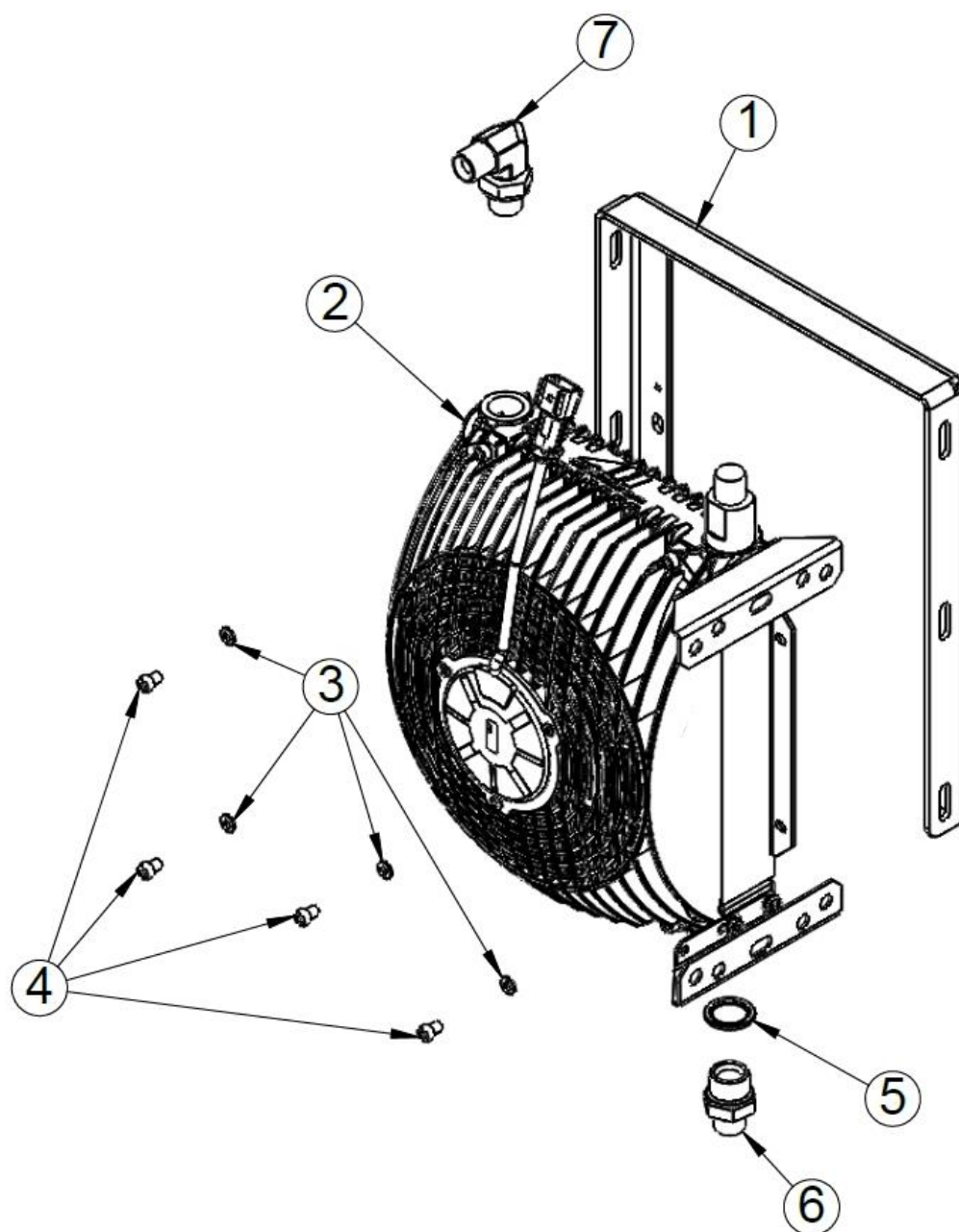
No.	Item	Part number	Pcs
1	Base plate NG 6	97882	1
2	USIT 3/8"	97212	9
3	Distribution block	50033770	1
4	Directional corner nipple 3/8"	97250	1
5	Double nipple 3/8" x 3/8"	97202	7
6	Connecting nipple 3/8" x 3/8"	97219	2
7	Check valve 3/8" 2 bar	97618	1
8	Adjustable T-connector 3/8"	97230	1
9	Hydraulic hose 850 x 3/8"	97178	1
10	Hydraulic hose 300 x 3/8"	97023	1
11	Hydraulic hose 1,400 x 3/8"	97035	1
12	Adjustable L connector 3/8"	97234	1
13	Hydraulic hose 1,600 x 3/8"	97045	1

### 1.38 Saw chain lubrication pump, electrical (50040251)



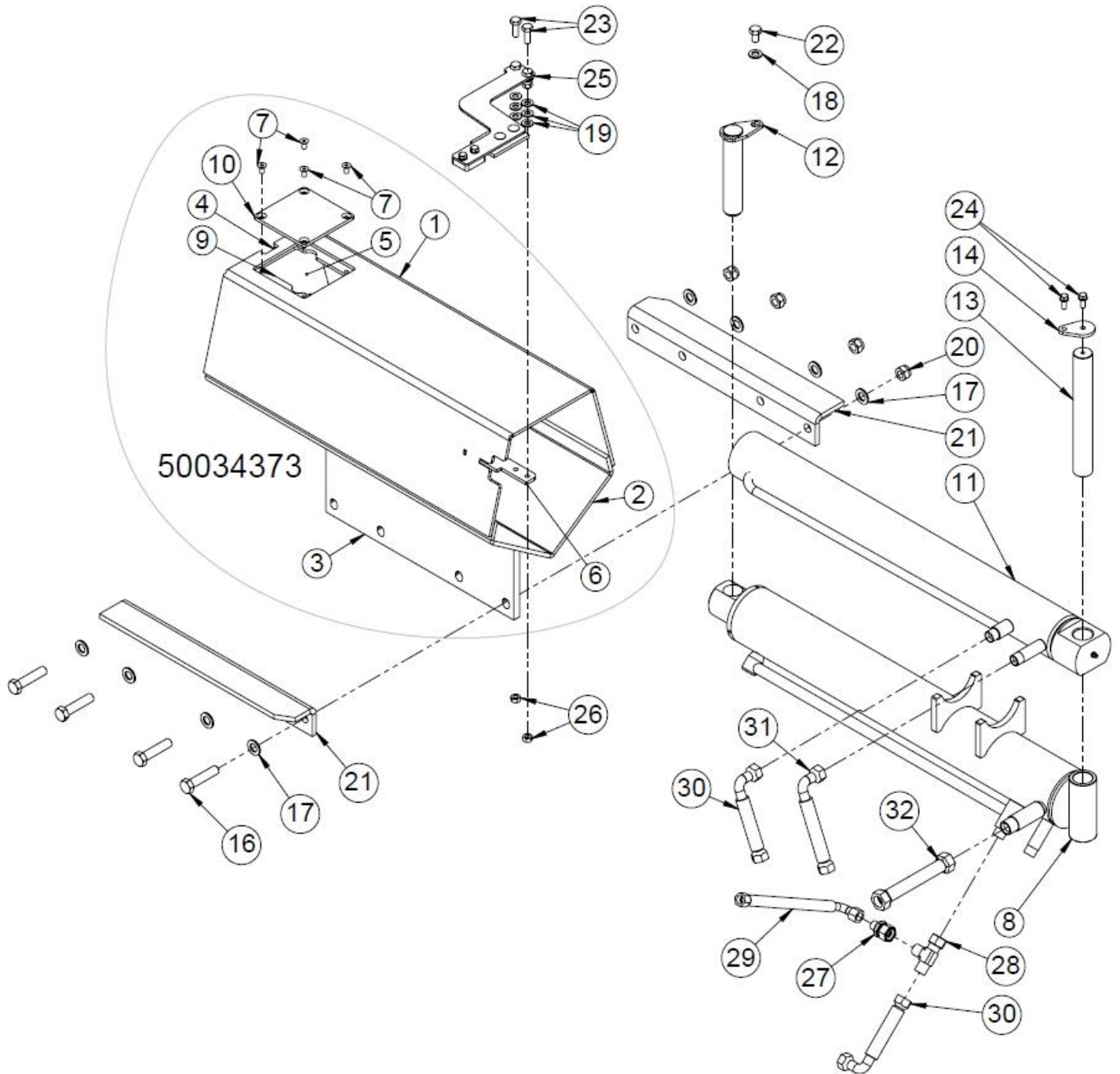
No.	Item	Part number	Dimensions	Pcs
1	Oil pump	97654		1
2	Shaft	97281	8 mm	2
3	USIT	97212	3/8"	5
4	Double nipple	97202	3/8" x 3/8"	3
5	Adjustable L connector	97234	3/8"	1
6	Hydraulic hose	97178	850 x 3/8"	1
7	Hydraulic hose	97023	300 x 3/8"	1
8	Needle valve SMS	97656	1/4"	1
9	Choke nipple	97590	3/8" x 1/4"	1
10	USIT	97211	1/4"	2
11	Double nipple	97201	1/4" x 3/8"	1
12	Check valve	97251	3/8" 0.5 bar	1
13	Check valve	97616	3/8" 2 bar	1
14	Fuse holder	50030084		1
15	Blade fuse 5 A	50040252		1
16	Wire connector, pin, male	50037815	M5 2.5 mm	1
17	Wire connector, round, blue	50036765		3
18	ToppFlex PUR hose 8/11	95606	600 mm and 700 mm	1+1
19	Hose spindle	97640	3/8" -9.5 mm	1
20	Hose tie 10	96175		1
21	Hose tie 10	96174		3
22	Hex socket screw	96030	M5	4

## 1.39 Oil cooler (50034467)



No.	Item	Part number	Dimensions	Pcs
7	Directional elbow nipple	97631	3/4" x 1/2"	1
6	Double nipple	97205	1/2" x 3/4"	1
5	USIT	97214	3/4"	1
4	Hex socket screw	96031	M6x10	4
3	Washer	96060	A6	4
2	Oil cooler ASA	97885		1
1	Cooler bracket	50030479	PL4	1

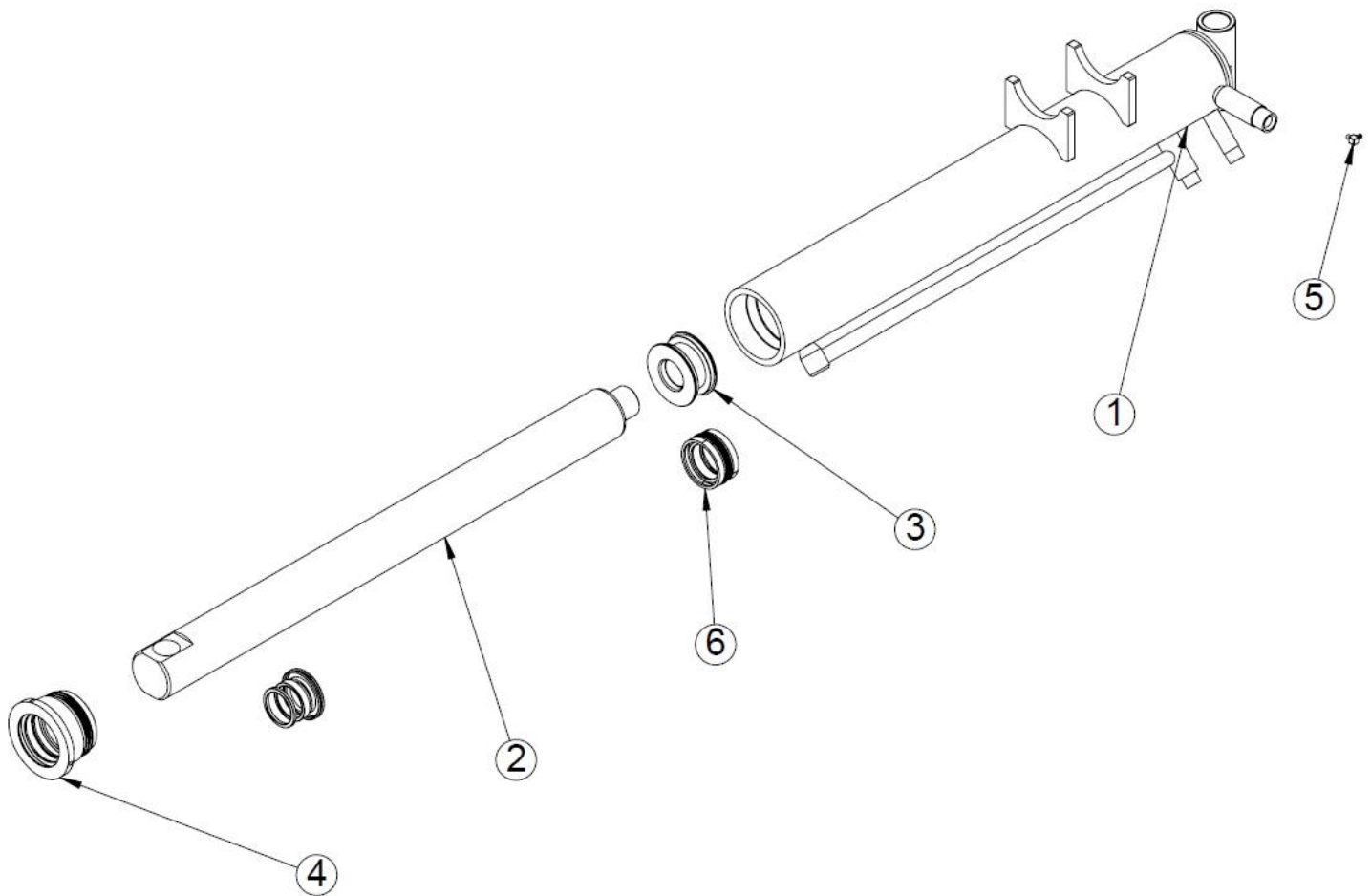
### 1.40 Slide + splitting cylinders



**1.41 Splitting cylinders and slide parts list**

<b>No.</b>	<b>Item</b>	<b>Part number</b>	<b>Dimensions</b>	<b>Pcs</b>
32	Hydraulic hose (high-pressure hose)	97917	750 x 3/4"	1
31	Hydraulic hose	97013	1,000 x 1/2"	1
30	Hydraulic hose	97918	750 x 1/2"	2
29	Hydraulic hose	97045	1,600 x 3/8"	1
28	Adjustable L connector 1/2"	97228		1
27	Connecting nipple	97218	3/8" x 1/2"	1
26	Hex nut	96199	M10	2
25	Splitting mechanism trigger	50034533		1
24	Flange bolt	96173	M8x20	2
23	Hex screw	96133	M10x30	2
22	Hex screw	96144	M12x20	1
21	Slide fastening plate	47362		2
20	Locking nut	96219	M16	4
19	Washer	96049	A10	6
18	Washer	96058	A12	1
17	Washer	96059	A16	8
16	Hex screw	96155	M16x70	4
15	Lubrication nipple	96276	M8X1	1
14	Retainer	50011927	PL6	1
13	Pin	50009295	Ø35 L=265	1
12	Cylinder pin slide	50034407		1
11.1	High-pressure seal kit (upper cylinder)	97620		1
11	High-pressure cylinder (upper)	50028450		1
10	Hatch cover	50034428	PL6	1
9	Hatch fastening plate	50034427	PL6	1
8.1	High-pressure seal kit (lower cylinder)	50037611		1
8	High-pressure cylinder (lower)	50030155		1
7	Hex socket screw	96007	M8x16	4
6	Trigger fastener	50027317	PL6	1
5	Slide end welding	50034378		1
4	Slide end spacer plate	47361		2
3	Slide fastening plate	47353		1
2	Slide plates lower	47352		1
1	Cover plate	50034376	PL6	1

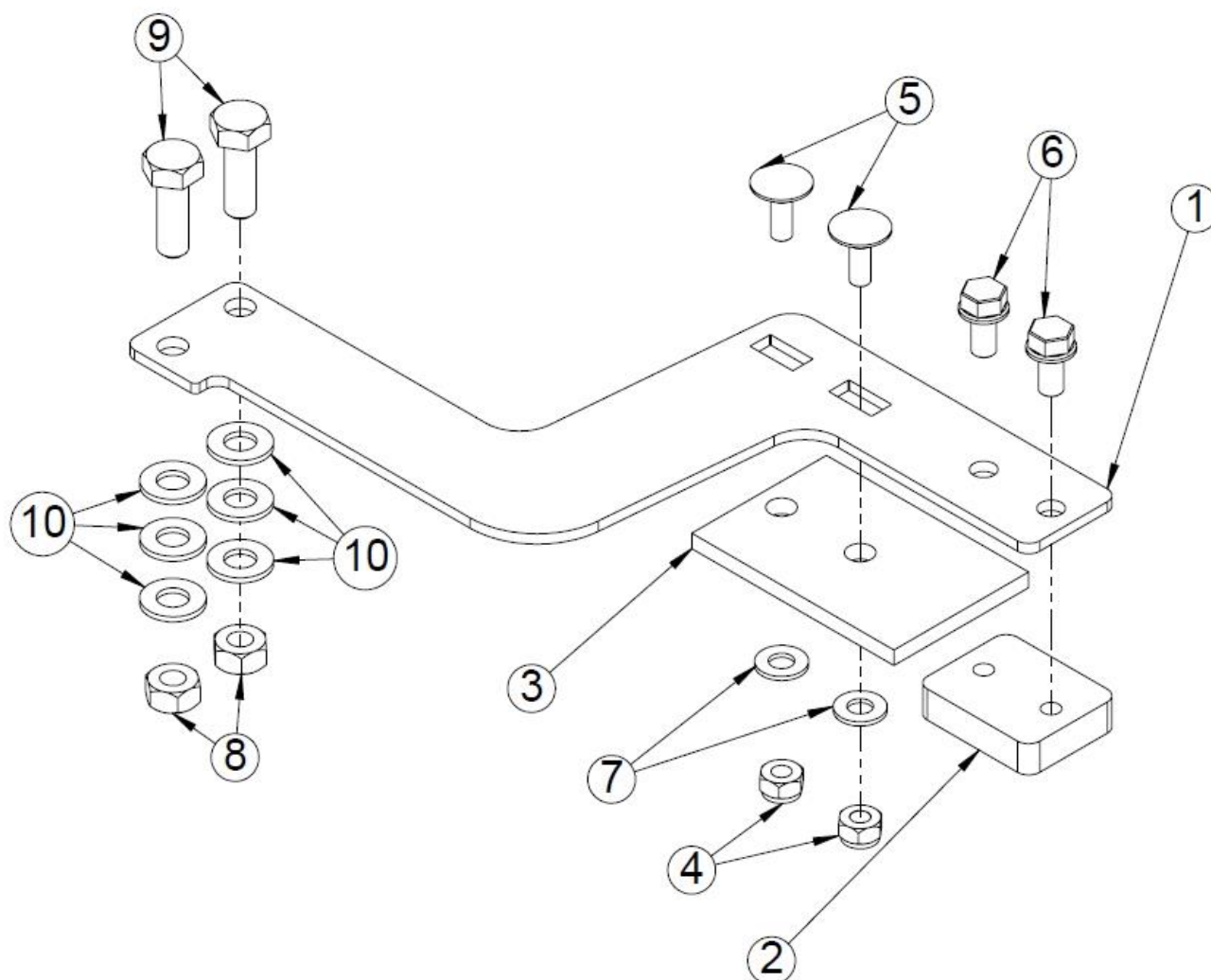
### 1.42 High-pressure cylinder, lower (50030155)



No.	Item	Part number	Pcs
6	High-pressure seal kit 400 bar.	50037611	1
5	Lubrication nipple M6x1 90 GR	96304	1
4	Rod guide 90/70	50030164	1
3	Piston 90	50030162	1
2	Cylinder rod 70	50030161	1
1	Pipe welding	50030156	1

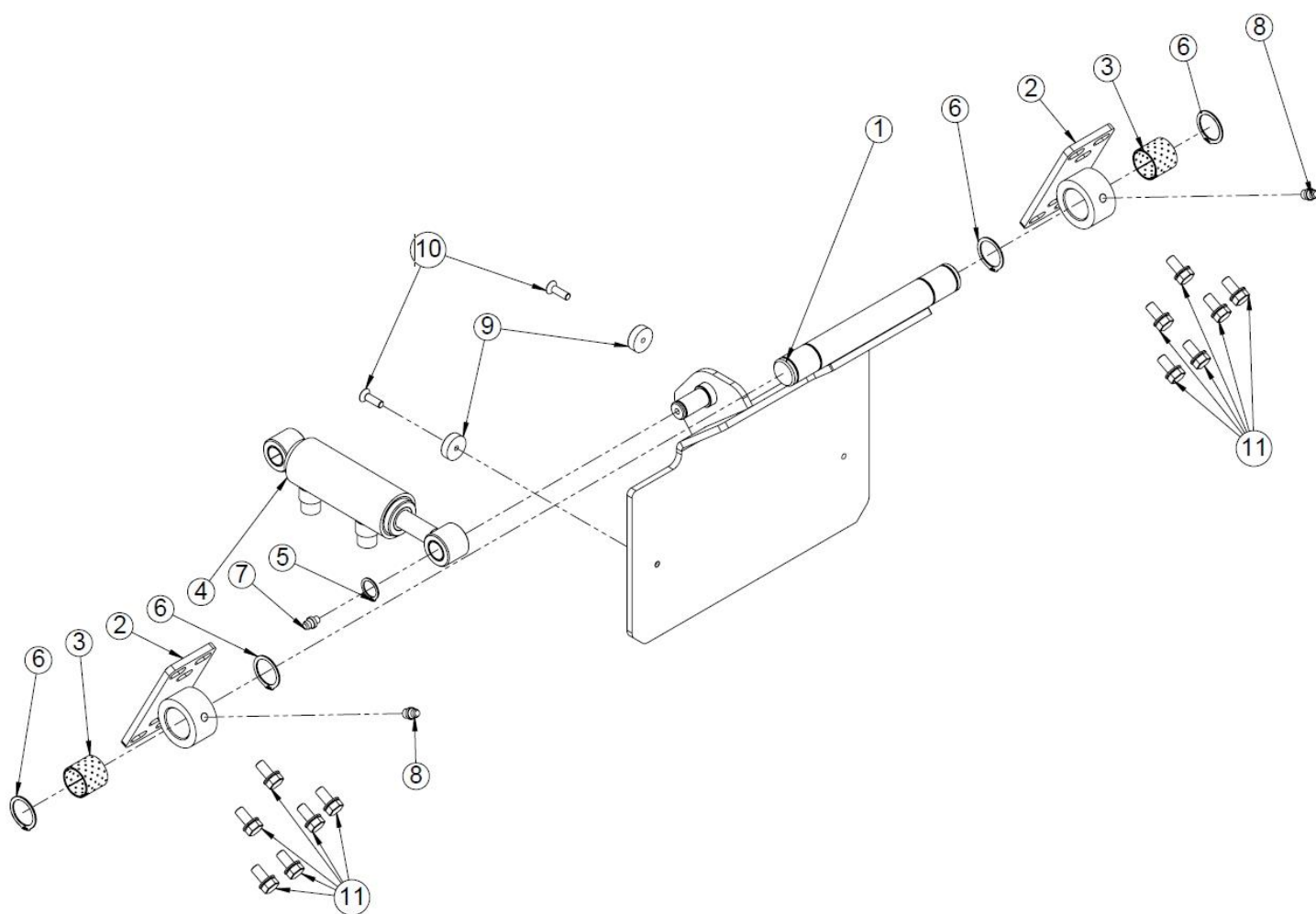


### 1.43 Splitting function guide plate (50034533)



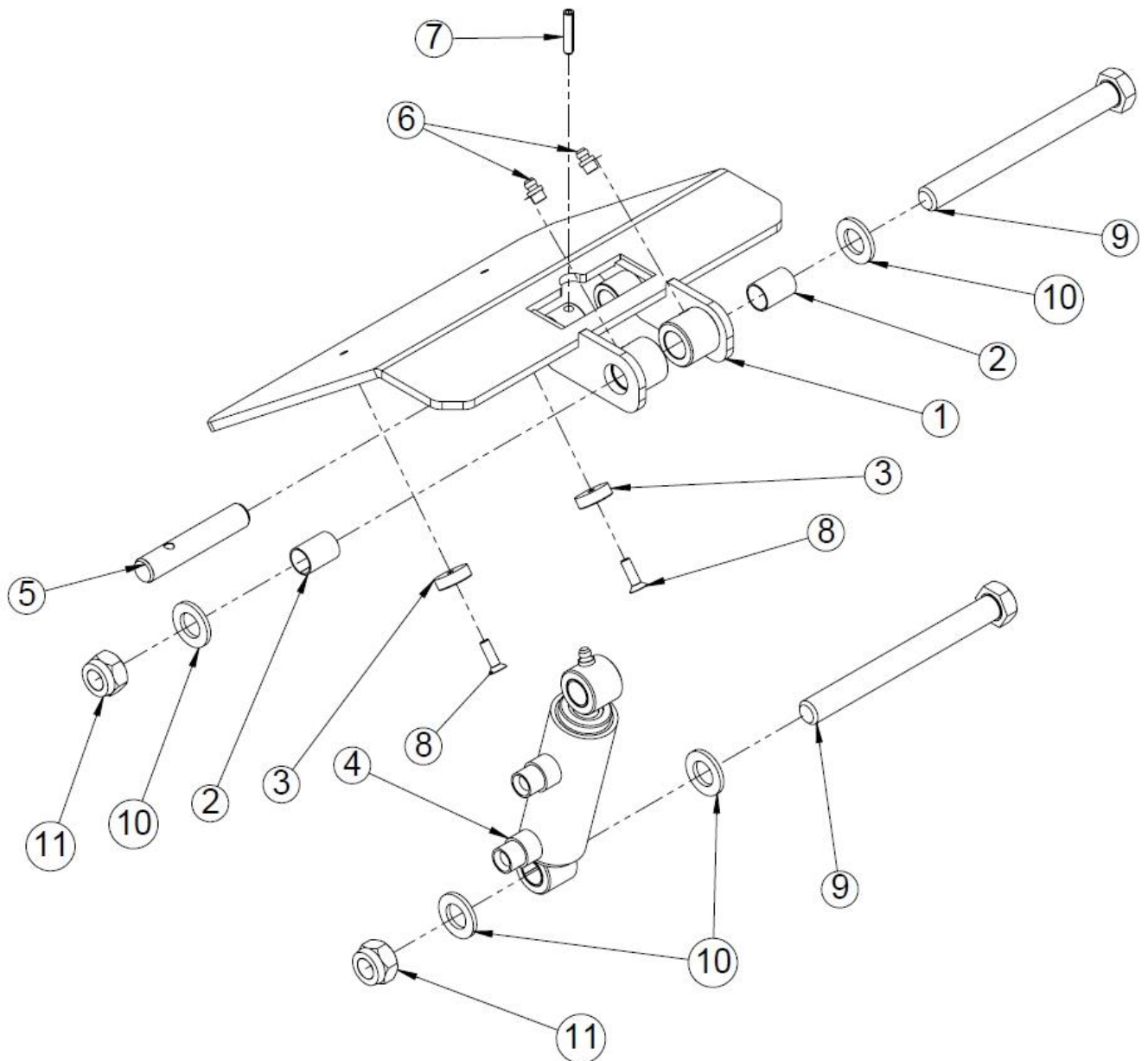
No.	Item	Part number	Dimensions	Pcs
10	Washer	96049	A10	6
9	Hex screw	96133	M10x30	2
8	Hex nut	96199	M10	2
7	Washer	96061	A8	2
6	Flange bolt M8x16	96172		2
5	Lock screw	96187	M8x20	2
4	Locking nut	96222	M8	2
3	Plastic plate	50029330	PL6 x	1
2	Trigger weight	50033554	PL12 x	1
1	Sensor trigger for slide	50035235	PL4 x	1

### 1.44 Log guide plate assembly (50037455)



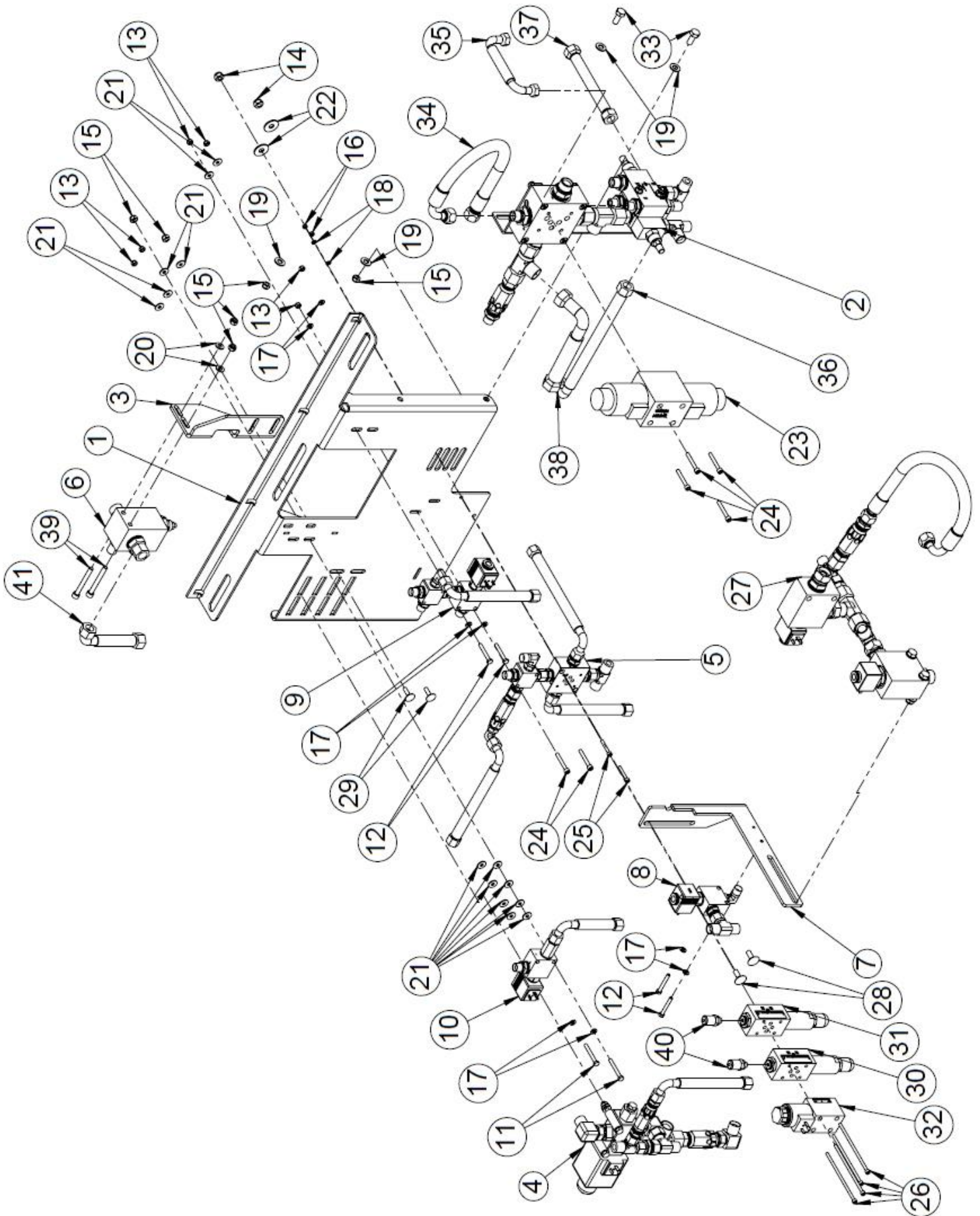
No.	Item	Part number	Dimensions	Pcs
1	Guide plate, tank side	50037576		1
2	Lug	50037390		2
3	Slide bearing BRMR	50036254	25 x 28 x 25	2
4	Cylinder	50025511		1
5	Retaining ring	96038	16	1
6	Retaining ring	96042	25	4
7	Lubrication nipple	96273	M6X1	1
8	Lubrication nipple	96276	M8X1	2
9	PVC button	95594		2
10	Hex socket screw, flush head	96573	M6x12	2
11	Flange bolt	96172	M8x16	12

### 1.45 Log guide plate assembly, operator's side (50037583)



No.	Item	Part number	Dimensions	Pcs
1	Guide plate, front side	50037491		1
2	Slide bearing	95064	B 18x16x25	2
3	PVC button	95594		2
4	Cylinder	50037497		1
5	Shaft	50037538		1
6	Lubrication nipple	96276	M8X1	2
7	Spring pin	96080	6x30	1
8	Hex socket screw, flush head	96573	M6x12	2
9	Hex screw	96114	M16x160	2
10	Washer	96059	A16	4
11	Locking nut	96219	M16	2

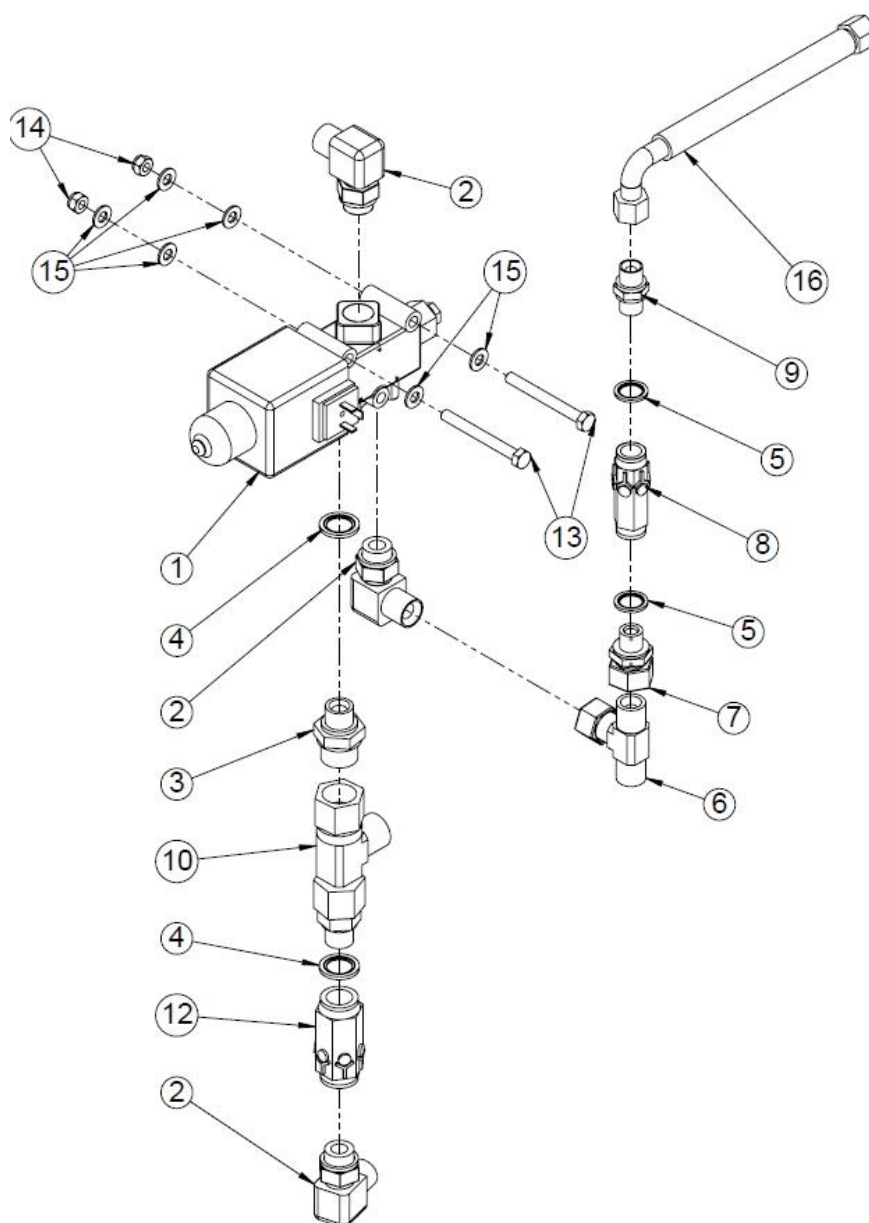
## 1.46 Control valves



**1.47 Control valve parts list**

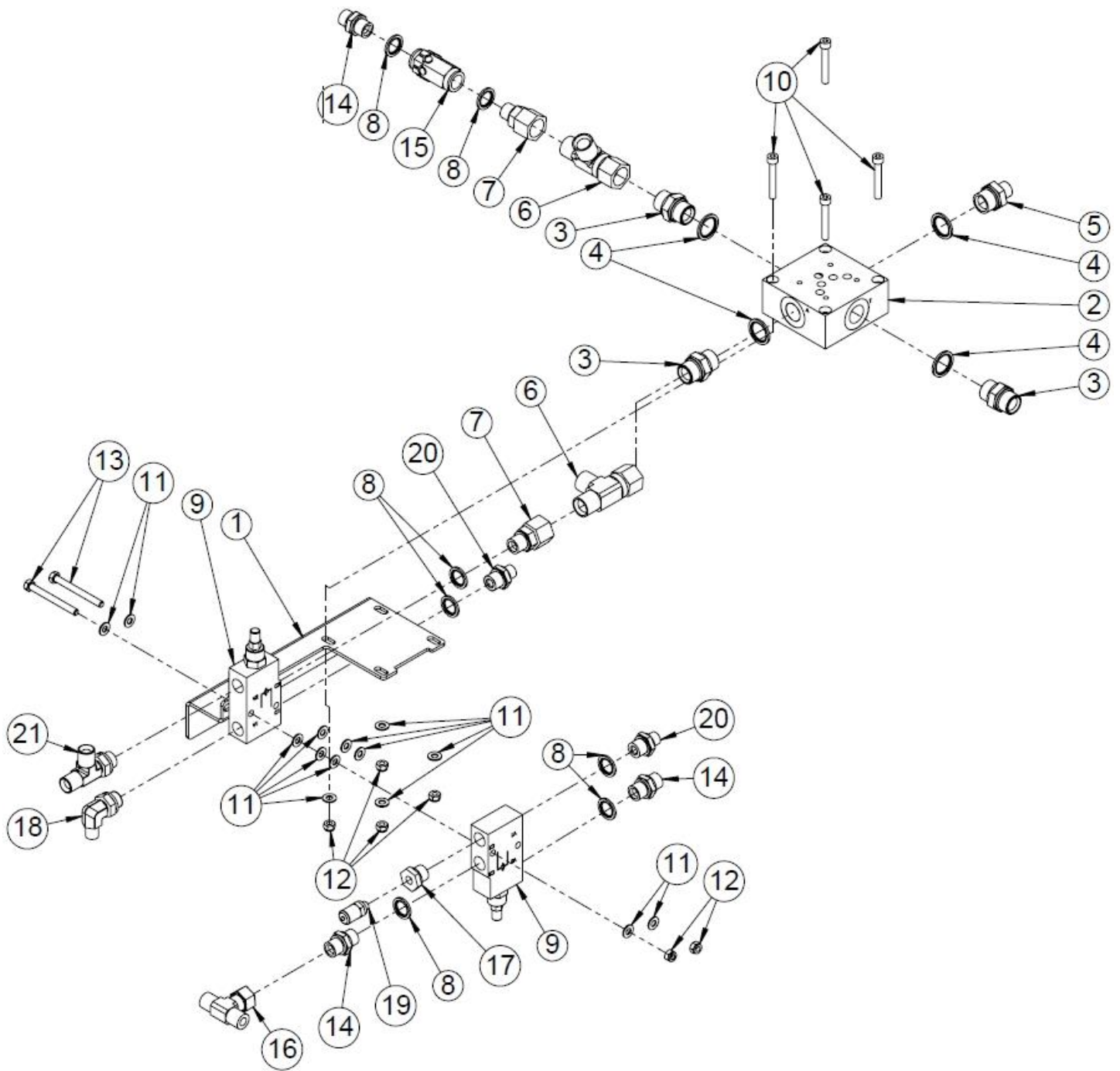
<b>No.</b>	<b>Item</b>	<b>Part number</b>	<b>Dimensions</b>	<b>Pcs</b>
41	Hydraulic hose	97119	900 x 1/2"	1
40	Pressure measurement fitting	97378	1/4"	2
39	Hex socket screw	96020	M8x70	2
38	Hydraulic hose	97100	470 x 3/4"	1
37	Hydraulic hose	97919	400 x 1/2"	1
36	Hydraulic hose	97108	650 x 1/2"	1
35	Hydraulic hose	97179	450 x 3/8"	1
34	Hydraulic hose	97075	400 x 1/2"	1
33	Hex screw	96139	M10 x 25	2
32	Saw control valve	97881		1
31	Pressure relief valve	97906		1
30	Pressure relief valve	97905		1
29	Lock screw	96191	M8 x 25	2
28	Lock screw	96186	M10 x 25	2
27	High-pressure valve kit	50036017		1
26	Hex socket screw	96999	M5x130	4
25	Hex socket screw	96290	M5x35	2
24	Hex socket screw	96451	M6x45	6
23	Splitting valve	97745		1
22	Washer	96064	M10	2
21	Washer	96084	M6	14
20	Washer	96061	A8	2
19	Washer	96049	A10	4
18	Washer	96055	A5	2
17	Washer	96060	A6	8
16	Locking nut	96215	M5	2
15	Locking nut	96222	M8	6
14	Locking nut	96068	M10	2
13	Locking nut	96221	M6	6
12	Hex screw	96336	M6x45	4
11	Hex screw	96119	M6x50	2
10	Log press retainer valve	50035859		1
9	Log press valve	50034462		1
8	In-feed stop valve	50035300		1
7	Bracket	50035256	PL6	1
6	Pressure relief kit	50035244		1
5	Saw bar lowering valve	50034466		1
4	Saw valve kit	50034459		1
3	Pressure relief bracket	50035239	PL6	1
2	Speeding valve	50034484		1
1	Splitting valve rack	50029798		1

### 1.48 Saw control valve assembly



No.	Item	Part number	Dimensions	Pcs
16	Hydraulic hose	97178	850 s 3/8"	1
15	Washer	96061	A8	6
14	Locking nut	96222	M8	2
13	Hex screw	96128	M8x75	2
12	Check valve	97252	1/2" 0.5 bar	1
11	Connecting nipple	97221	1/2" x 3/4"	1
10	Adjustable L connector	97235	3/4"	1
9	Double nipple	97202	3/8" x 3/8"	1
8	Check valve	97251	3/8" 0.5 bar	1
7	Connecting nipple	97218	3/8" x 1/2"	1
6	Adjustable T connector	97229	1/2"	1
5	USIT	97212	3/8"	2
4	USIT	97213	1/2"	2
3	Double nipple	97205	1/2" x 3/4"	1
2	Directional corner nipple 1/2"	97247		3
1	Saw valve DFE10	97883		1

### 1.49 Load control valve (50034484)

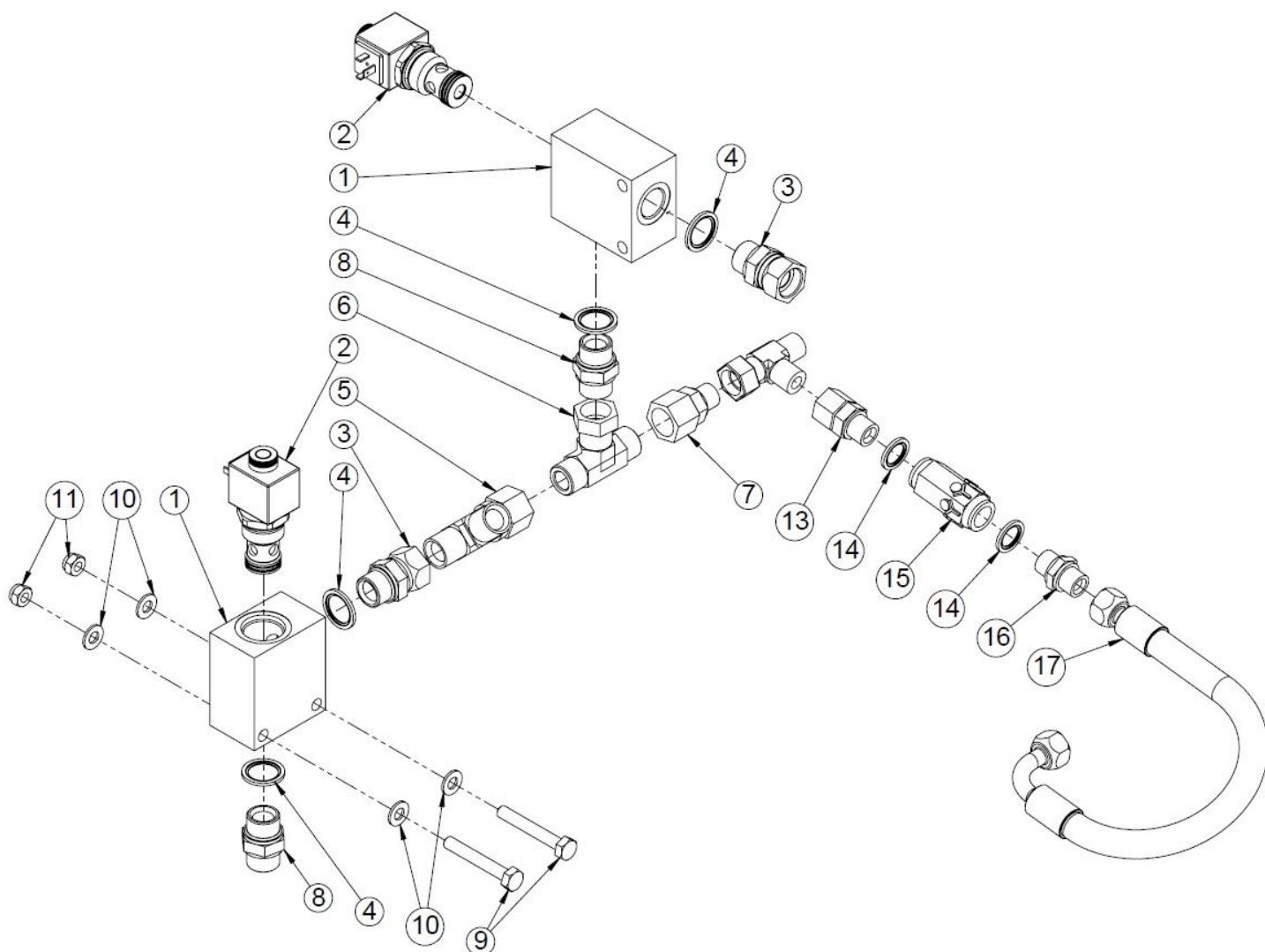


**1.50 Load control valve parts list**

<b>No.</b>	<b>Item</b>	<b>Part number</b>	<b>Dimensions</b>	<b>Pcs</b>
20	Double nipple	97203	3/8" x 1/2"	2
19	Pressure measurement fitting	97378	1/4"	1
18	Directional elbow nipple	97610	1/2" x 3/8"	1
17	Reducer fitting	97580	1/2" x 1/4"	1
16	Adjustable T connector	97229	1/2"	1
15	Check valve	97652	1/2"	1
14	Double nipple	97204	1/2" x 1/2"	3
13	Hex screw	96353	M8x80	2
12	Locking nut	96222	M8	6
11	Washer	96061	A8	14
10	Hex socket screw	96308	M8x55	4
9	Booster valve (inner) and speeding valve (outer)	97591	1/2"	2
8	USIT	97213	1/2"	7
7	Connecting nipple	97221	1/2" x 3/4"	2
6	Adjustable L connector	97235	3/4"	2
5	Double nipple	97205	1/2" x 3/4"	1
4	USIT	97214	3/4"	4
3	Double nipple	97207	3/4" x 3/4"	3
2	Base plate NG 10	97843		1
1	Bracket	50035478	PL4	1

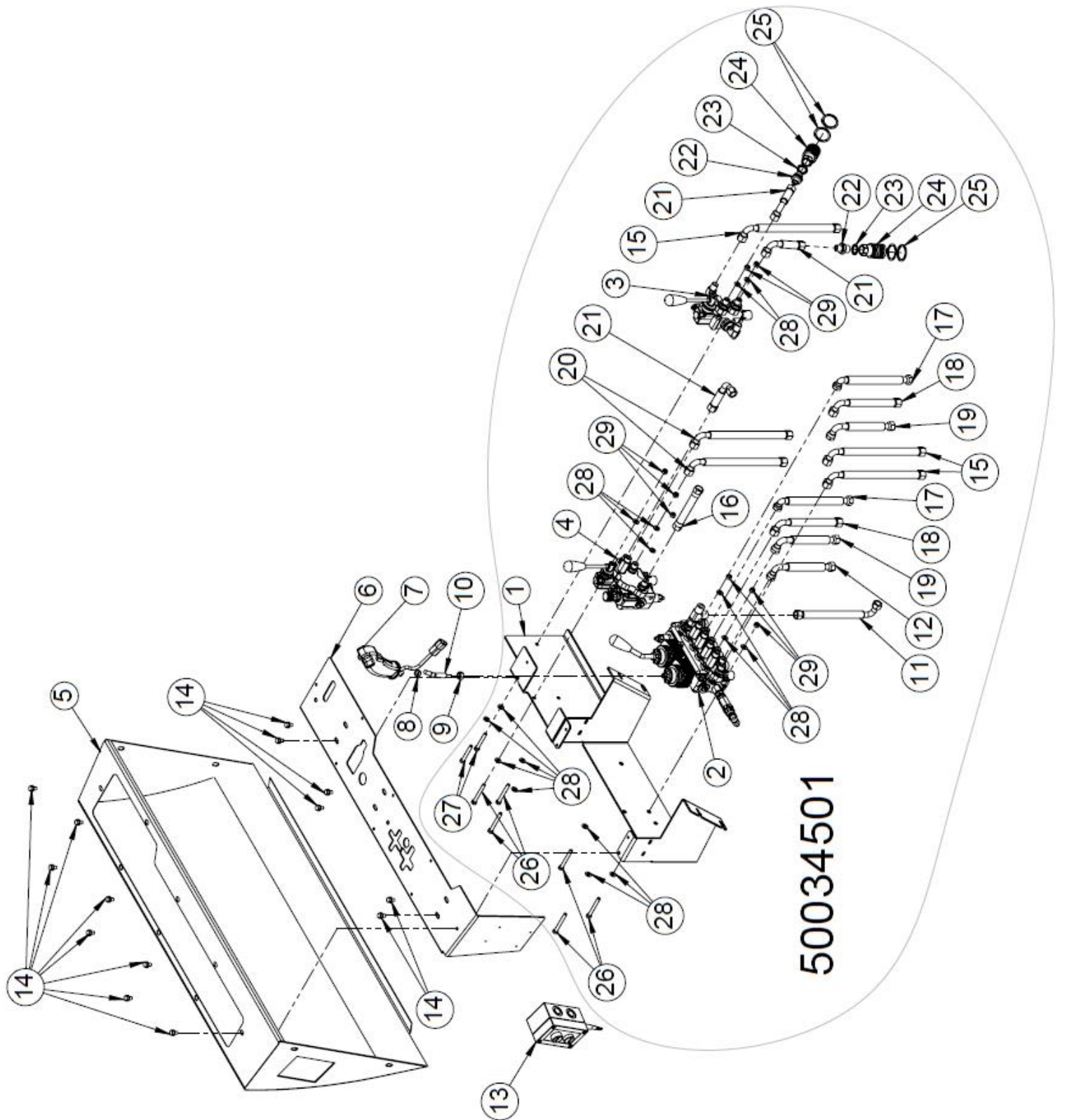


### 1.51 High-pressure valve (50036017)



No.	Item	Part number	Dimensions	Pcs
17	Hydraulic hose	97075	400 x 1/2"	1
16	Double nipple	97204	1/2" x 1/2"	1
15	Check valve	97252	1/2" 0.5 bar	1
14	USIT	97213	1/2"	2
13	Connecting nipple	97216	1/2" x 1/2"	1
12	Adjustable L connector	97228	1/2"	1
11	Locking nut	96068	M10	2
10	Washer	96049	A10	4
9	Hex screw	96317	M10x70	2
8	Double nipple	97207	3/4" x 3/4"	2
7	Connecting nipple	97221	1/2" x 3/4"	1
6	Adjustable T connector	97231	3/4"	1
5	Adjustable L connector	97235	3/4"	1
4	USIT	97214	3/4"	4
3	Connecting nipple	97225	3/4" x 3/4"	2
2	Cartridge valve	97890		2
1	Cartridge valve block	97892	3/4"	2

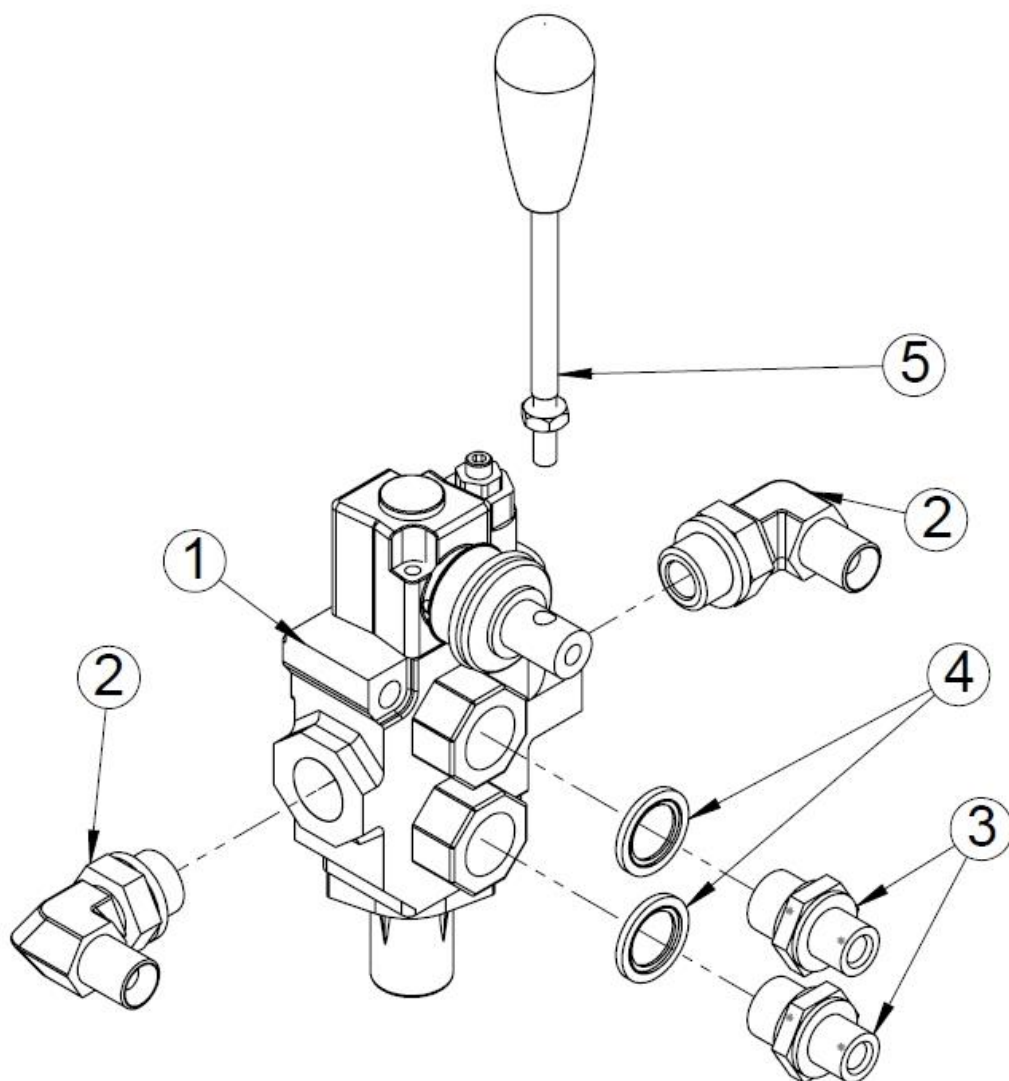
## 1.52 Control panel



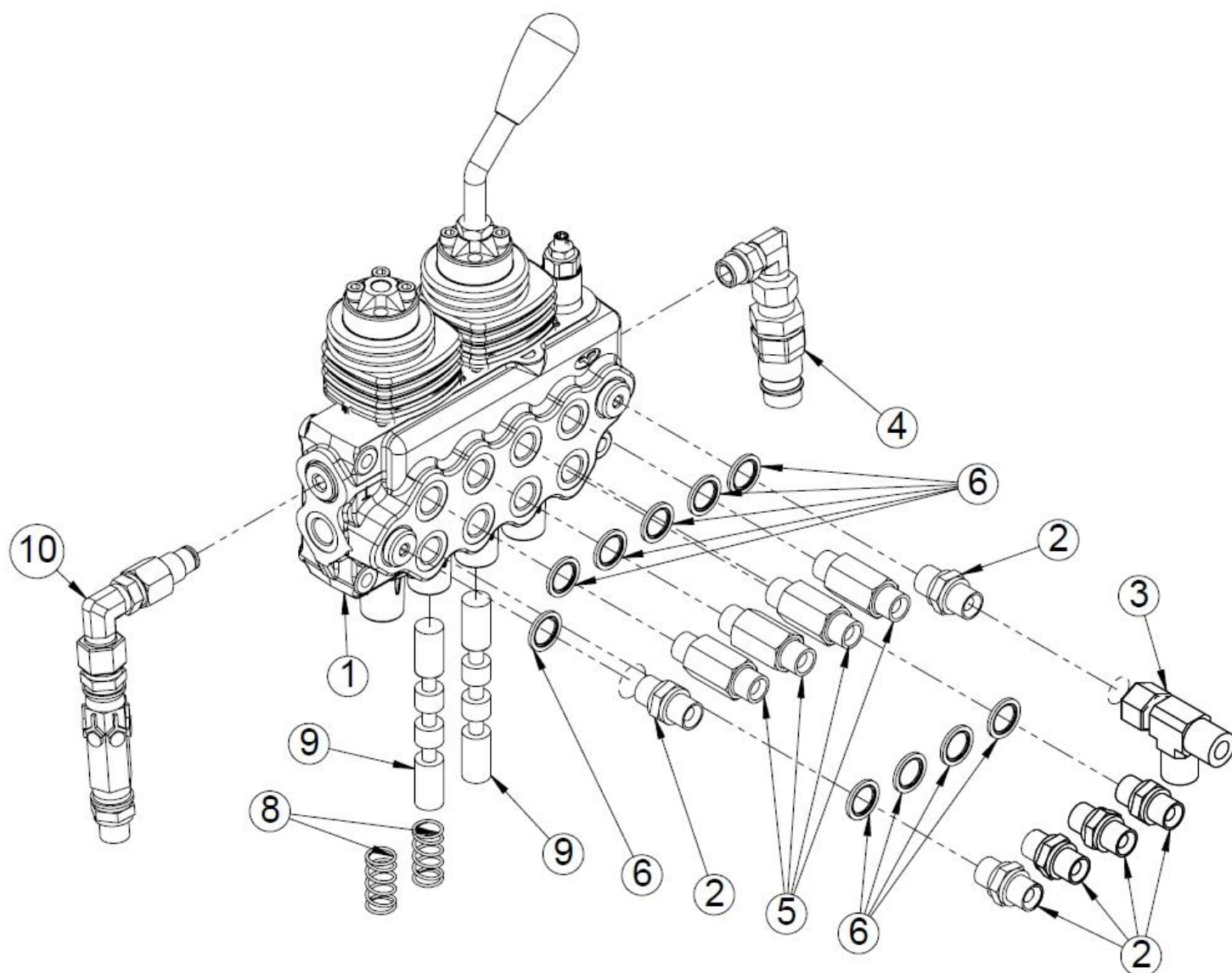
**1.53 Control panel parts list**

<b>No.</b>	<b>Item</b>	<b>Part number</b>	<b>Dimensions</b>	<b>Pcs</b>
29	Locking nut	96222	M8	8
28	Washer	96061	A8	16
27	Hex screw	96125	M8x55	2
26	Hex screw	96127	M8x65	6
25	Retaining ring	96371	38	4
24	Quick coupler female	97388	1/2"	2
23	USIT	97213	1/2"	2
22	Double nipple	97203	3/8" x 1/2"	2
21	Hydraulic hose 350 bar	97180	500 x 3/8"	3
20	Hydraulic hose	97103	3,700 x 3/8"	2
19	Hose	97131	1,200 x 3/8"	2
18	Hydraulic hose	97008	700 x 3/8"	2
17	Hydraulic hose	97089	1,800 x 3/8"	2
15	Hydraulic hose	97045	1,600 x 3/8"	3
14	Flange bolt 8.8 ZN	96427	M8x12	14
13	Remote starter	37648		1
12	Hydraulic hose	97049	4,200 x 3/8"	1
11	Hydraulic hose 350 bar	97035	1,400 x 3/8"	1
10	Fastener	50029950		1
9	Hex nut	96200	M12	1
8	Hex nut	96199	M10	1
7	Control handle	97928		1
6	Valve mount cover	50034496		1
5	Control panel	50014973		1
4	Out-feed conveyor valve	50034463		1
3	Auxiliary valve	50034465		1
2	4-block valve	50034457		1
1	Valve mount	50034500		1

### 1.54 Auxiliary device control valve (50034465)

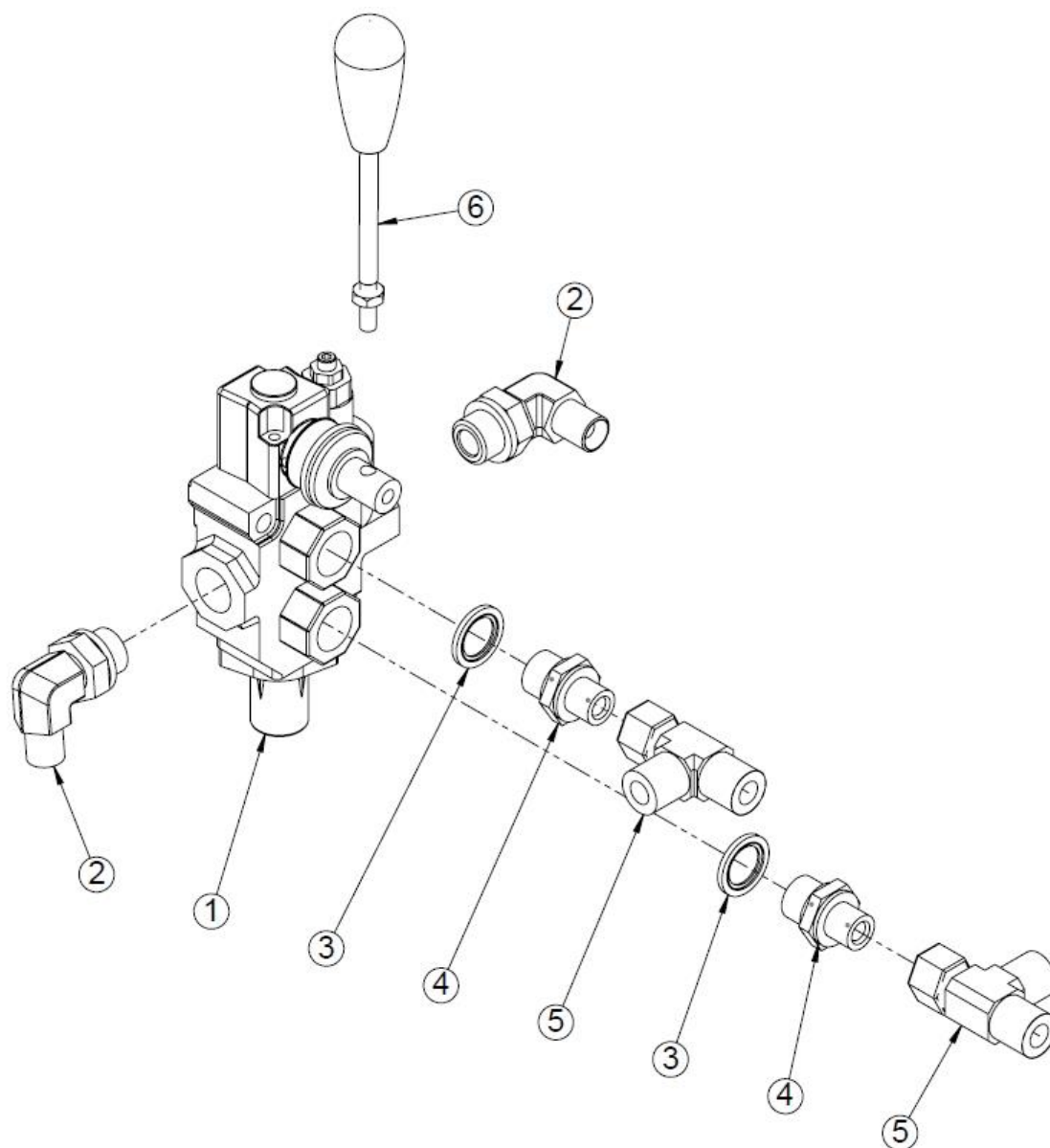


No.	Item	Part number	Pcs
5	AL01 M8 120 lever	97423	1
4	USIT 1/2"	97213	2
3	Double nipple 3/8" x 1/2"	97203	2
2	Directional elbow nipple	97610	2
1	Manual directional valve	97842	1

**1.55 4-block valve (50034457)**

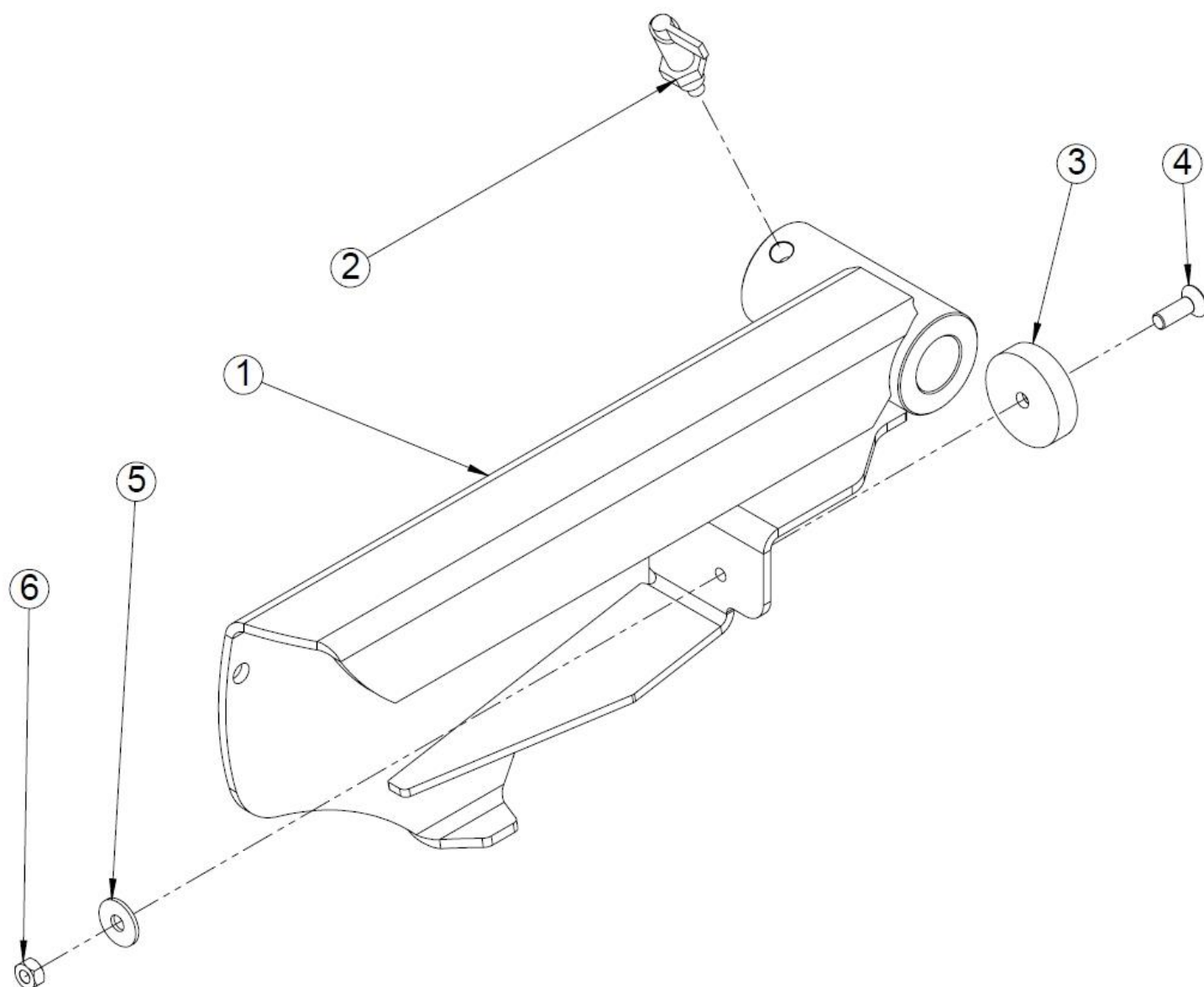
No.	Item	Part number	Pcs
10	Check valve kit 5	50037352	1
9	Motor spindle SD5-2	97851	2
8	Pressure spring Ø1.6 x 17.2 x 33	95290	2
7	Valve operating lever	10753	1
6	USIT 3/8"	97212	10
5	Long double nipple 3/8"	3046	4
4	Quick coupler kit	37650	1
3	Adjustable L connector 3/8"	97234	1
2	Double nipple 3/8" x 3/8"	97202	6
1	4-block valve	97408	1

### 1.56 Log guide plate control valve (50040548)



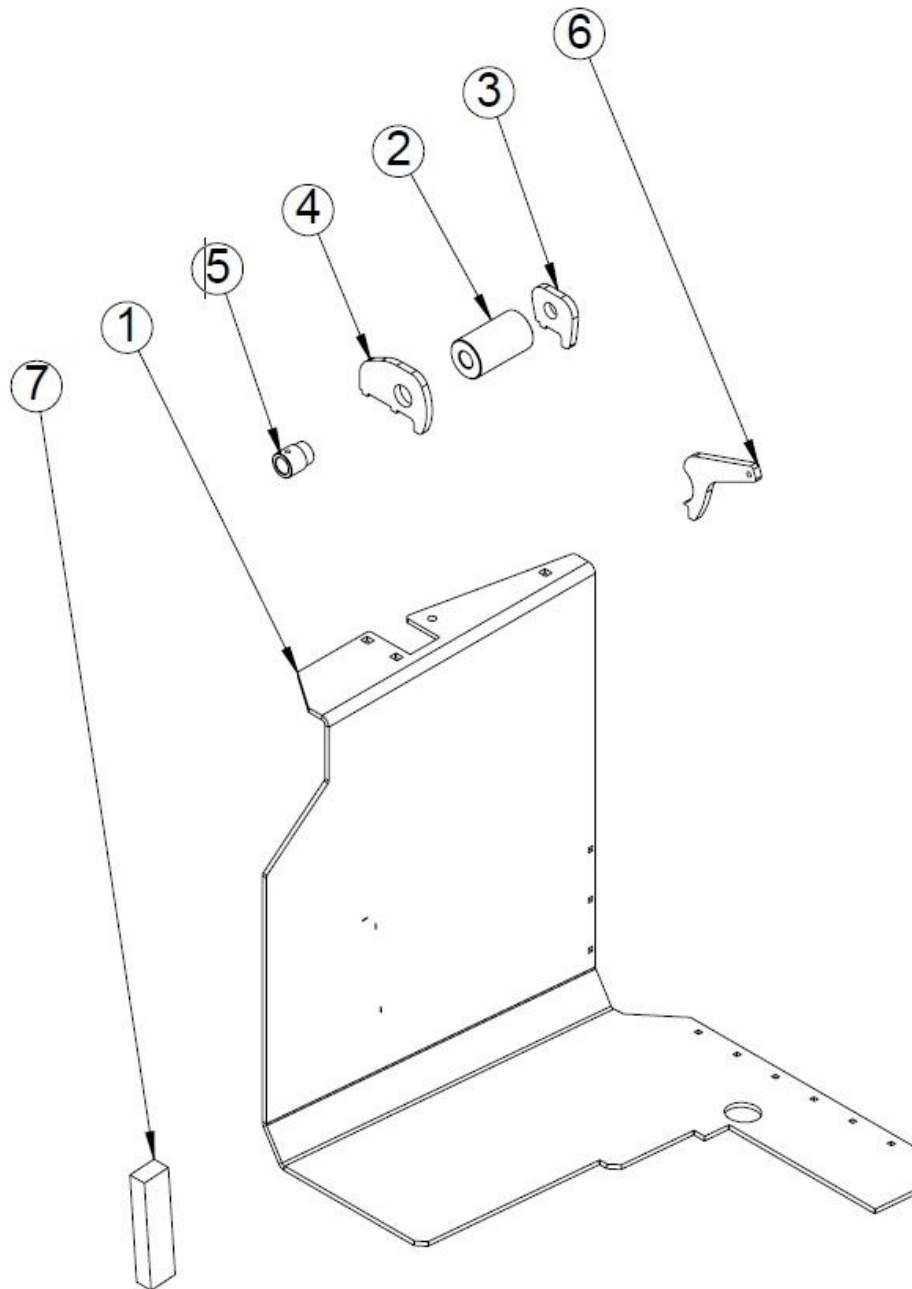
No.	Item	Part number	Dimensions	Pcs
1	Valve	97884	SD4/1	1
2	Directional elbow nipple	97610	1/2" x 3/8"	2
3	USIT	97213	1/2"	2
4	Double nipple	97203	3/8" x 1/2"	2
5	Adjustable L connector	97234	3/8"	2
6	Lever	97423	AL01 M8 120	1

### 1.57 Log measuring device plate



No.	Item	Part number	Dimensions	Pcs
6	Hex nut	96199	M10	1
5	Washer	96064	M10	1
4	Hex socket screw	96008	M10x30	1
3	Sliding piece	50025658	Ø60	1
2	Locking screw	95702		1
1	Log measuring device	50033683		1

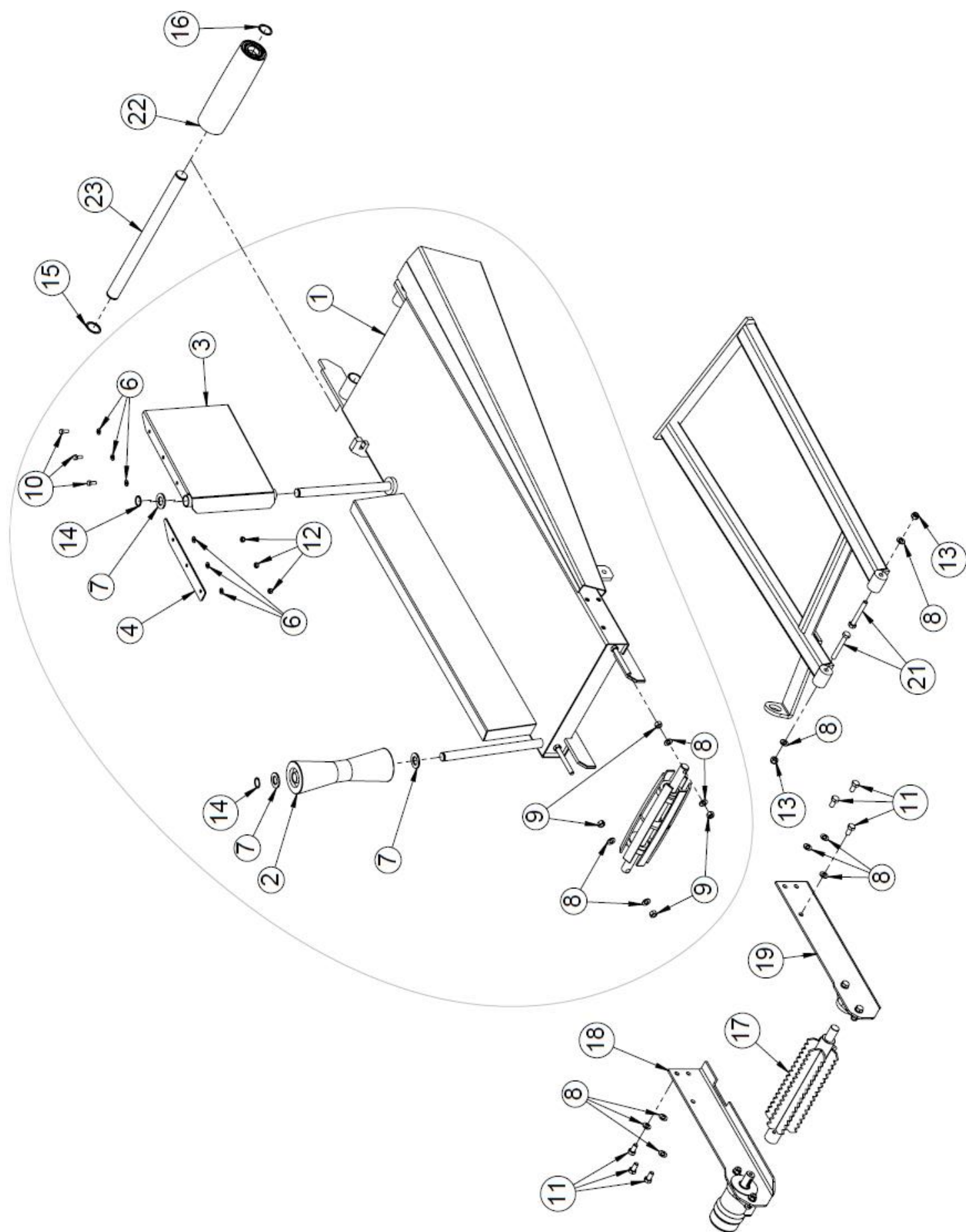
### 1.58 Splitting groove plate (50014138)



No.	Item	Part number	Dimensions	Pcs
7	Splitting blade side support	47810	30 x 50 L=200	1
6	Pump lug	50012503	PL12	1
5	Joint bushing	50012033	Ø40	1
4	Lug	50011995	PL12	1
3	Lug	50012028	PL12	1
2	Bushing	50011987	Ø63	1
1	Splitting groove plate	50014136	PL8	1

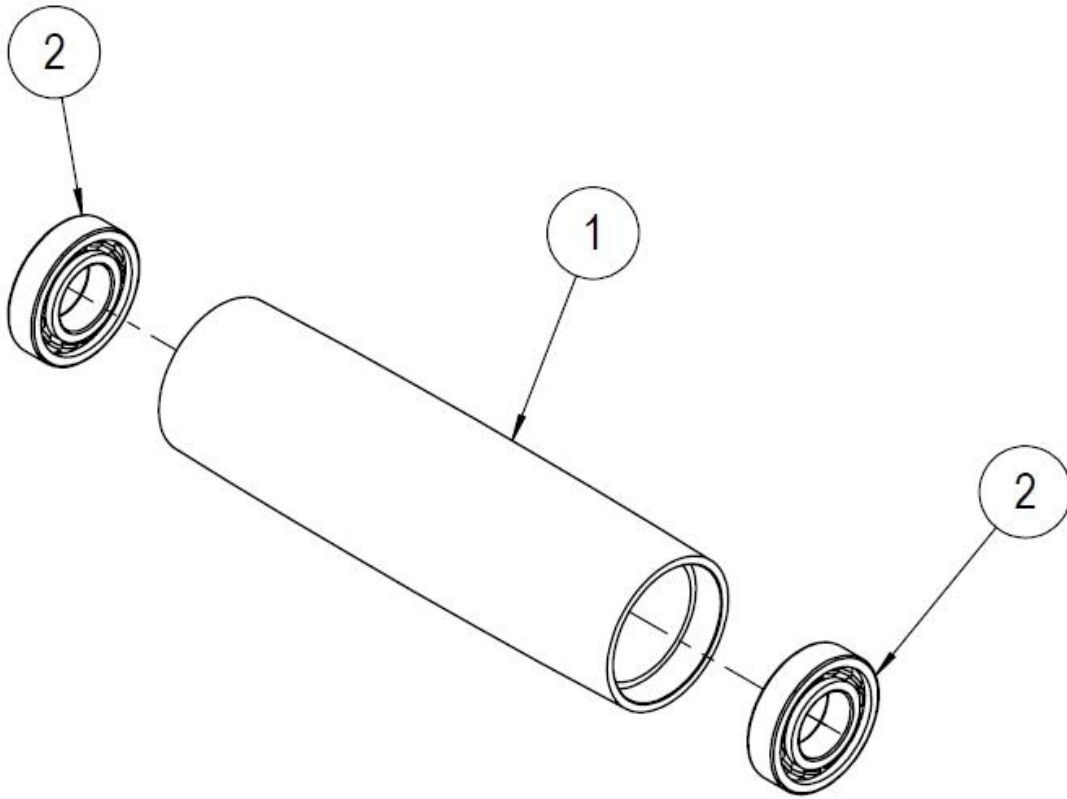


## 1.59 In-feed conveyor extension



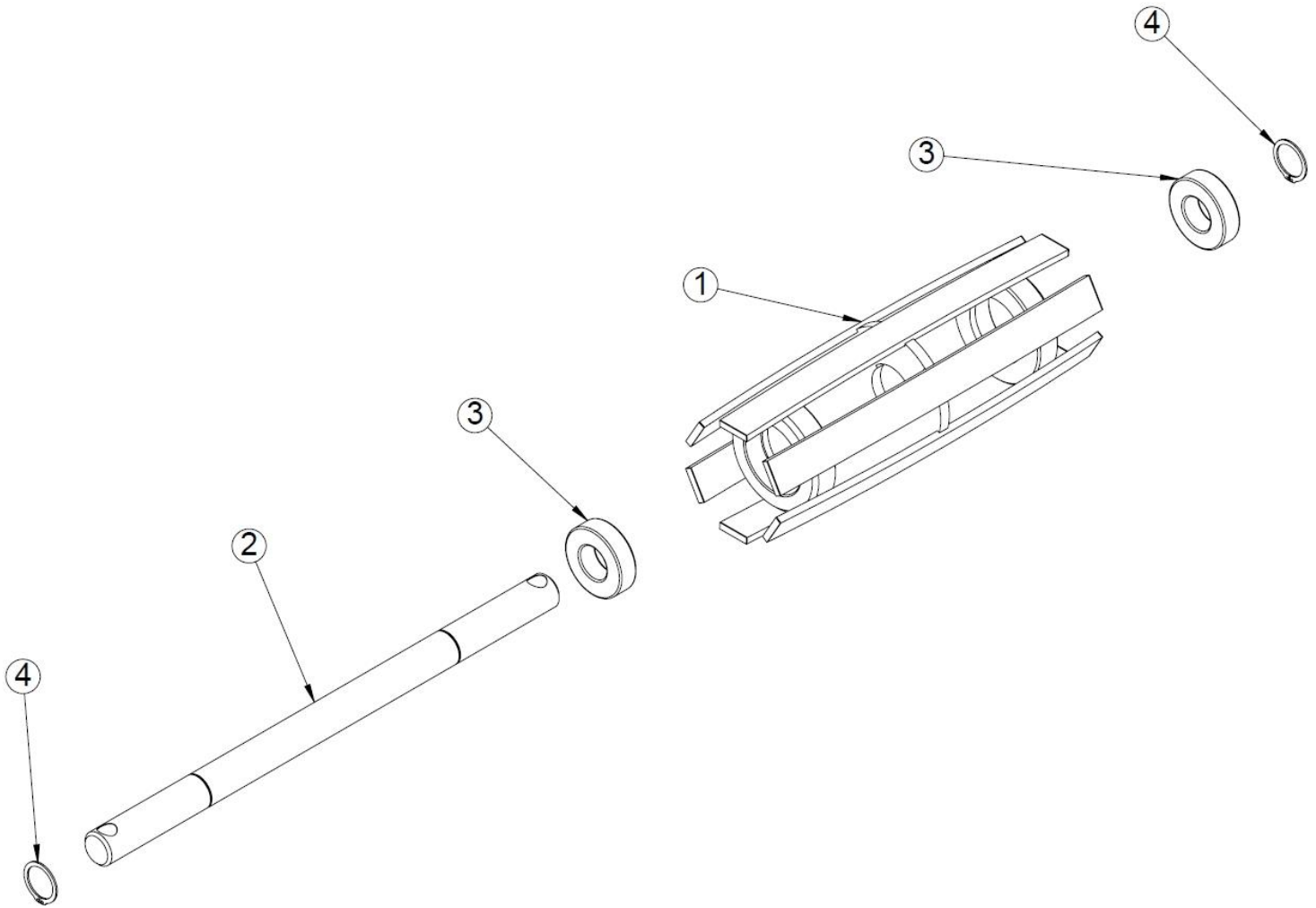
**1.60 In-feed conveyor extension parts list**

<b>No.</b>	<b>Item</b>	<b>Part number</b>	<b>Dimension</b>	<b>Pcs</b>
23	Mounting shaft	47193	Ø35 L=488	1
22	Spacer	47189		1
21	Hex screw	96111	M12x90	2
20	In-feed conveyor support	47954		1
19	Drive roller fastening	47217		1
18	Tail roller fastening assembly	47216		1
17	Drive roller part assembly	47210		1
16	Retaining ring	96045	35	1
15	Retaining ring	96371	38	1
14	Retaining ring	96042	25	2
13	Locking nut	96218	M12	2
12	Locking nut	96222	M8	3
11	Hex screw	96405	M12x25	6
10	Hex screw	96161	M8x20	3
9	Hex nut	96200	M12	4
8	Washer	96058	A12	12
7	Washer	96054	A24	3
6	Washer	96061	A8	6
5	In-feed conveyor rear roller	47200		1
4	Protective plastic	95653	37 x 290	1
3	Log guide	50014994		1
2	Keel roller 300	95003		1
1	In-feed conveyor	47950		1

**1.61 In-feed conveyor carryover roller (47189)**

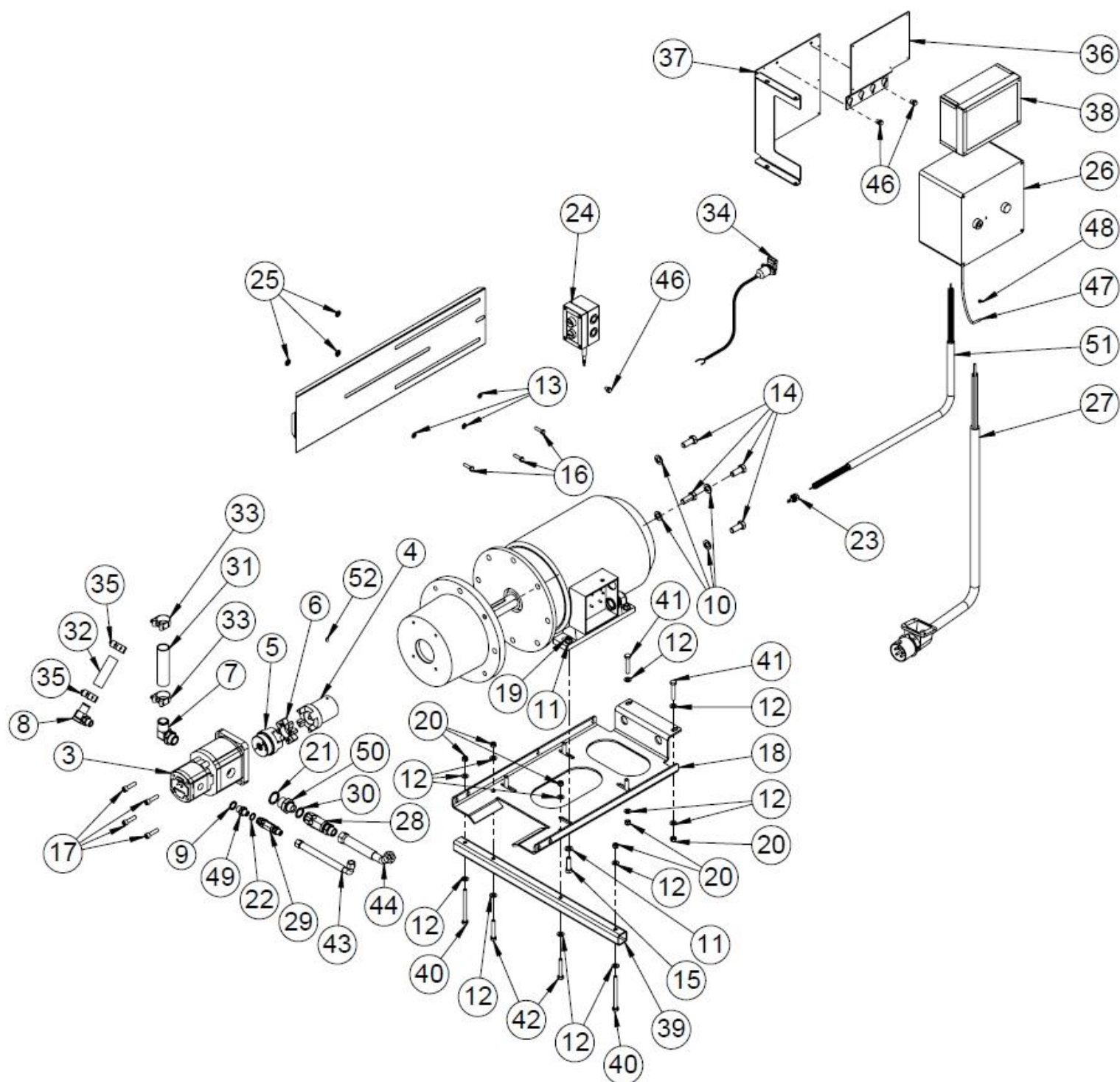
No.	Item	Part number	Pcs
2	Bearing	95055	2
1	Spacer	47189a	1

### 1.62 In-feed conveyor rear roller (47200)



No.	Item	Part number	Dimensions	Pcs
4	Retaining ring	96042	25	2
3	Bearing 6205 2 rs	95050		2
2	Rear roller shaft	47208	Ø25 L=420	1
1	Rear roller	47200a		1

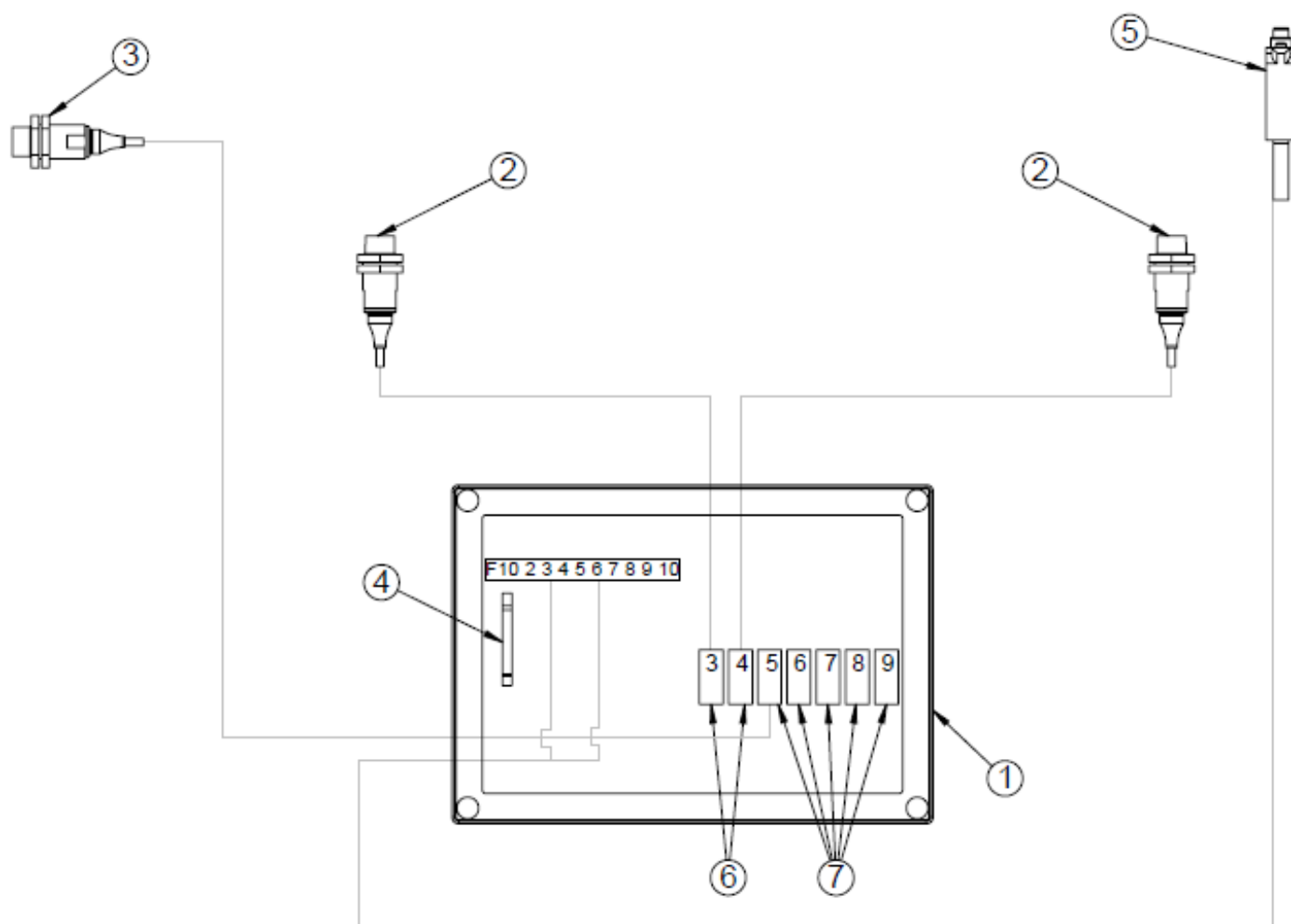
### 1.63 Exploded view of the electrical power transmission parts (combi model)



**1.64 Exploded view of the electrical power transmission parts (combi model)**

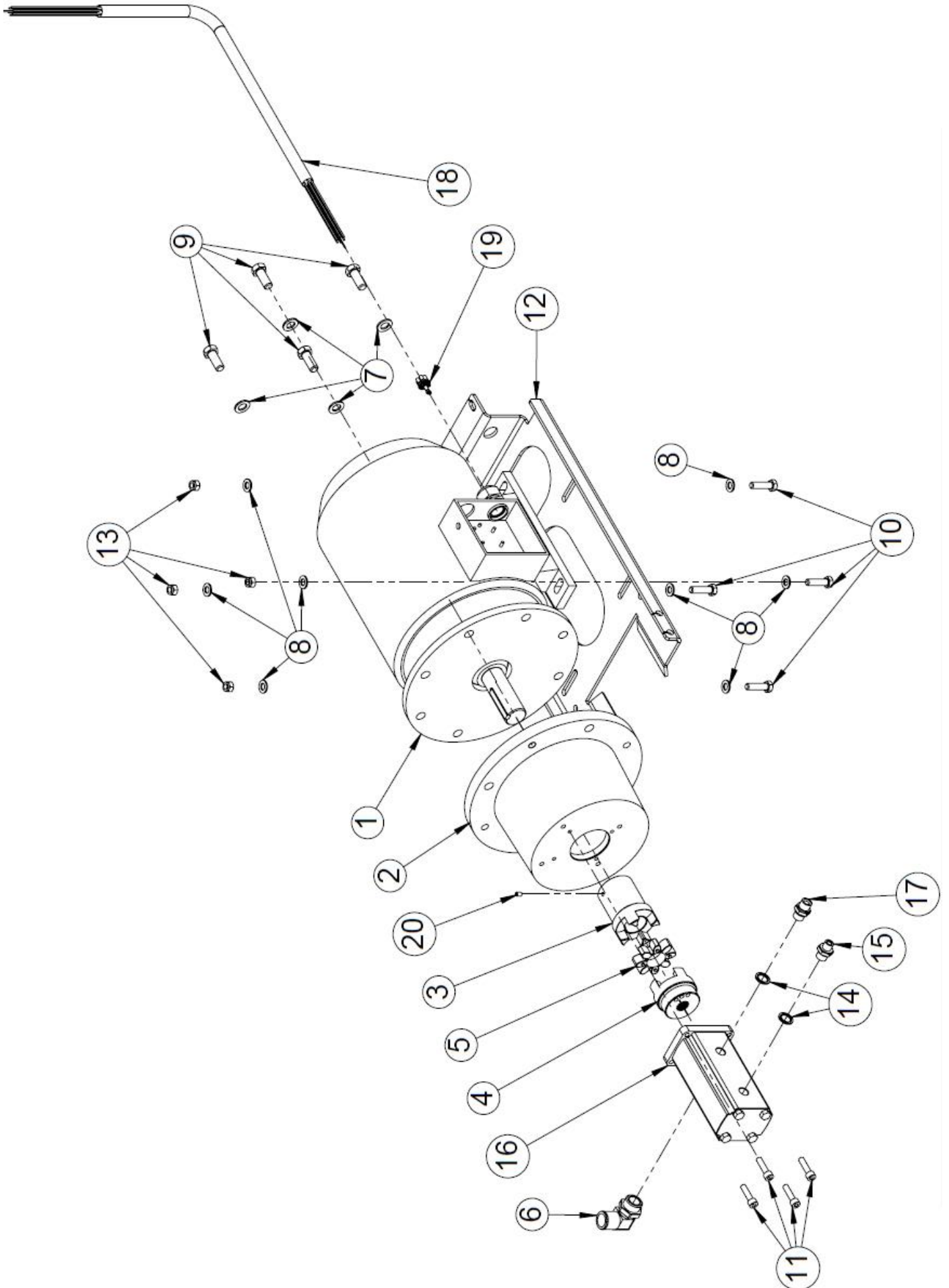
No.	Item	Part number	Dimensions	Pcs
52	Socket set screw pointed	96397	M8x12	1
51	Rubber cable	95221		1
50	Double nipple 3/4" x 1"	97208		1
49	Double nipple 3/8" x 1/2"	97203		1
48	Split ring M8 yellow	95735		1
47	Earthing cable 6 mm <sup>2</sup>	95483		1
46	Flange bolt 8.8 ZN M8x12	96427		3
45	Protective cover	47993		1
44	Hydraulic hose 3/4" x 620 straight/45°	97916		1
43	Hydraulic hose 850 x 3.8" straight/90°	97178		1
42	Hex screw	96101	M10x65	2
41	Hex screw	96100	M10x60	2
40	Hex screw	96094	M10x120	2
39	Electric motor plate support pipe	50033319		1
38	Relay cover 50 Pro	95901		1
37	Starter fastening plate	50033234		1
36	Relay box fastener	50029521		1
35	Steel hose clamp 40	97896		2
34	12V plug + cable	50035377		1
33	Steel hose clamp 40-32	97850		2
32	Suction hose Coroil 25 x 600	97752	Ø25	1
31	Suction hose Coroil 32 x 500 mm	97595	Ø32	1
30	USIT 3/4"	97214		1
29	Check valve kit 4 (combi)	50036958		1
28	Check valve kit 1 (combi)	50036954		1
27	32A plug phase switch + rubber cable	50035376		1
26	Starter M/S 11/15	95157		1
25	Washer	37341		3
24	Remote starter	37648		1
23	Split ring M6 blue	96372		7
22	USIT 3/8"	97212		1
21	USIT 1"	97215		1
20	Locking nut	96068	M10	6
19	Locking nut	96218	M12	4
18	Electric motor plate	50023608	PL6	1
17	Hex socket screw	96010	M10x40	4
16	Hex screw	96165	M8x30	3
15	Hex screw	96149	M12x45	4
14	Hex screw	96154	M16x40	4
13	Washer	96061	A8	3
12	Washer	96049	A10	12
11	Washer	96058	A12	8
10	Washer	96059	A16	4
9	USIT 1/2"	97213		1
8	Suction connector 1/2"/25 mm	97893		1
7	Suction connector 1"/32 mm	97849		1
6	Switch rubber R103	97872		1
5	Switch pump side	97871		1
4	Switch motor side	97870		1
3	Hydraulic pump 50 Pro	97878		1
2	Intermediate flange for 15 kW motor	97518		1
1	Electric motor 15 kW B3, B5 380 V	95463		1

### 1.65 Relay cover (95901)



No.	Item	Part number	Dimensions	Pcs
7.1	Relay socket (relay 10 A)	95532		5
7	Relay 10 A 12 V DC	95531		5
6.1	Relay socket (relay 5 A)	95534		2
6	Relay 5 A 12 V DC	95533		2
5	Pin limit switch	95421		1
4	Diode	95726		1
3	Induction sensor M18 PNP closing	95535		1
2	Induction sensor M18 PNP opening	95536		2
1	Relay cover	95707		1

### 1.66 Electric motor assembly, 60 Hz/380 V (50036066)

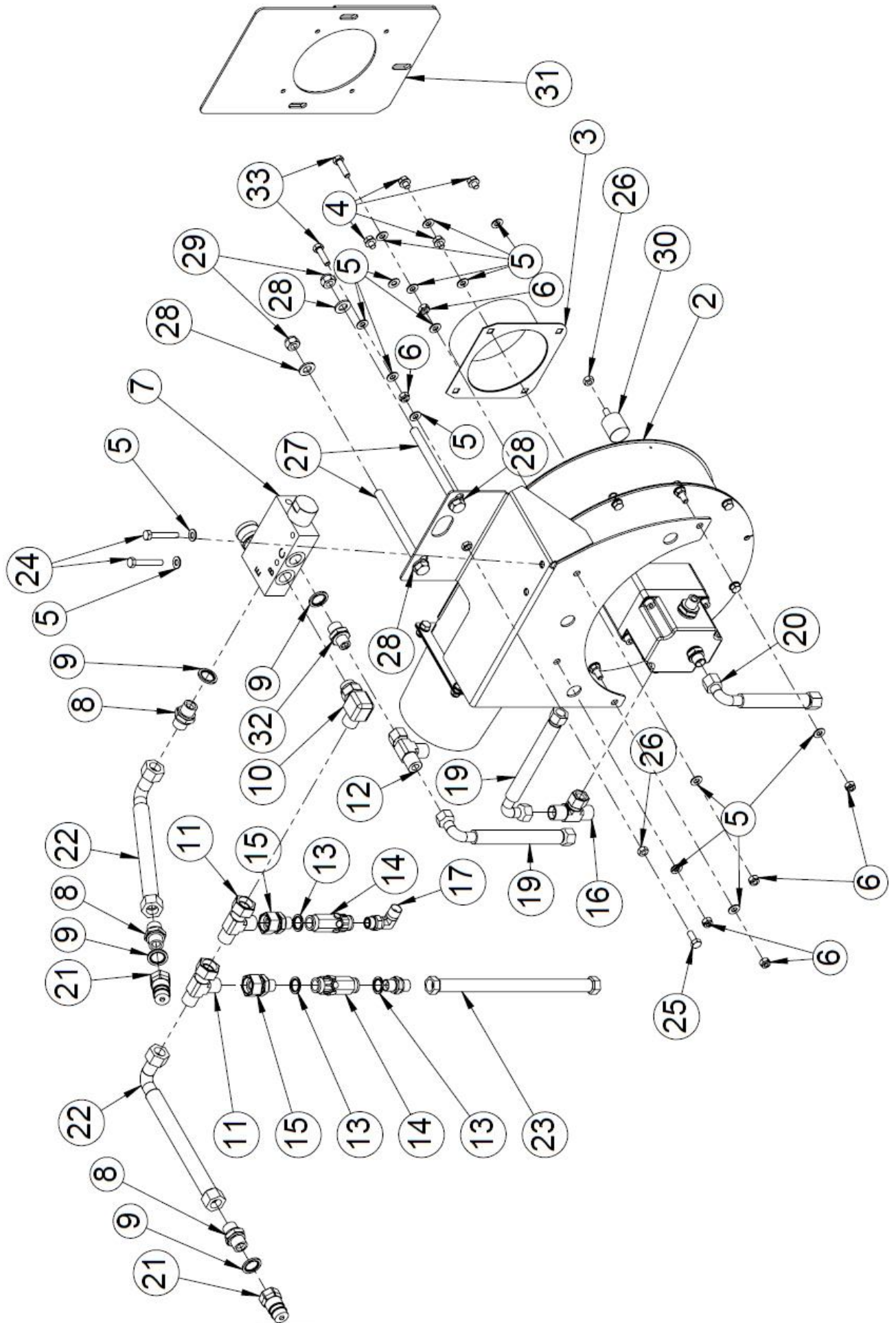




**1.67 Electric motor assembly, 60 Hz/380 V (50036066) parts list**

<b>No.</b>	<b>Item</b>	<b>Part number</b>	<b>Dimensions</b>	<b>Pcs</b>
20	Socket set screw pointed	96397	M8x12	1
19	Split ring blue	96372	M6	7
18	Rubber cable	95221	1,150 mm	1
17	Double nipple	97204	1/2" x 1/2"	1
16	Hydraulic pump 50 Pro (60 Hz)	97869		1
15	Double nipple	97203	3/8" x 1/2"	1
14	USIT	97213	1/2"	2
13	Locking nut	96218	M12	4
12	Electric motor plate	50023608	PL6	1
11	Hex socket screw	96010	M10x40	4
10	Hex screw	96149	M12x45	4
9	Hex screw	96154	M16x40	4
8	Washer	96058	A12	8
7	Washer	96059	A16	4
6	Suction connector	97849	1"/32mm	1
5	Switch rubber	97901		1
4	Intermediate switch 2 series pump	97900		1
3	Intermediate switch	97899		1
2	Intermediate flange	97898		1
1	Electric motor 15 kW	95463	B3,B5 380 V	1

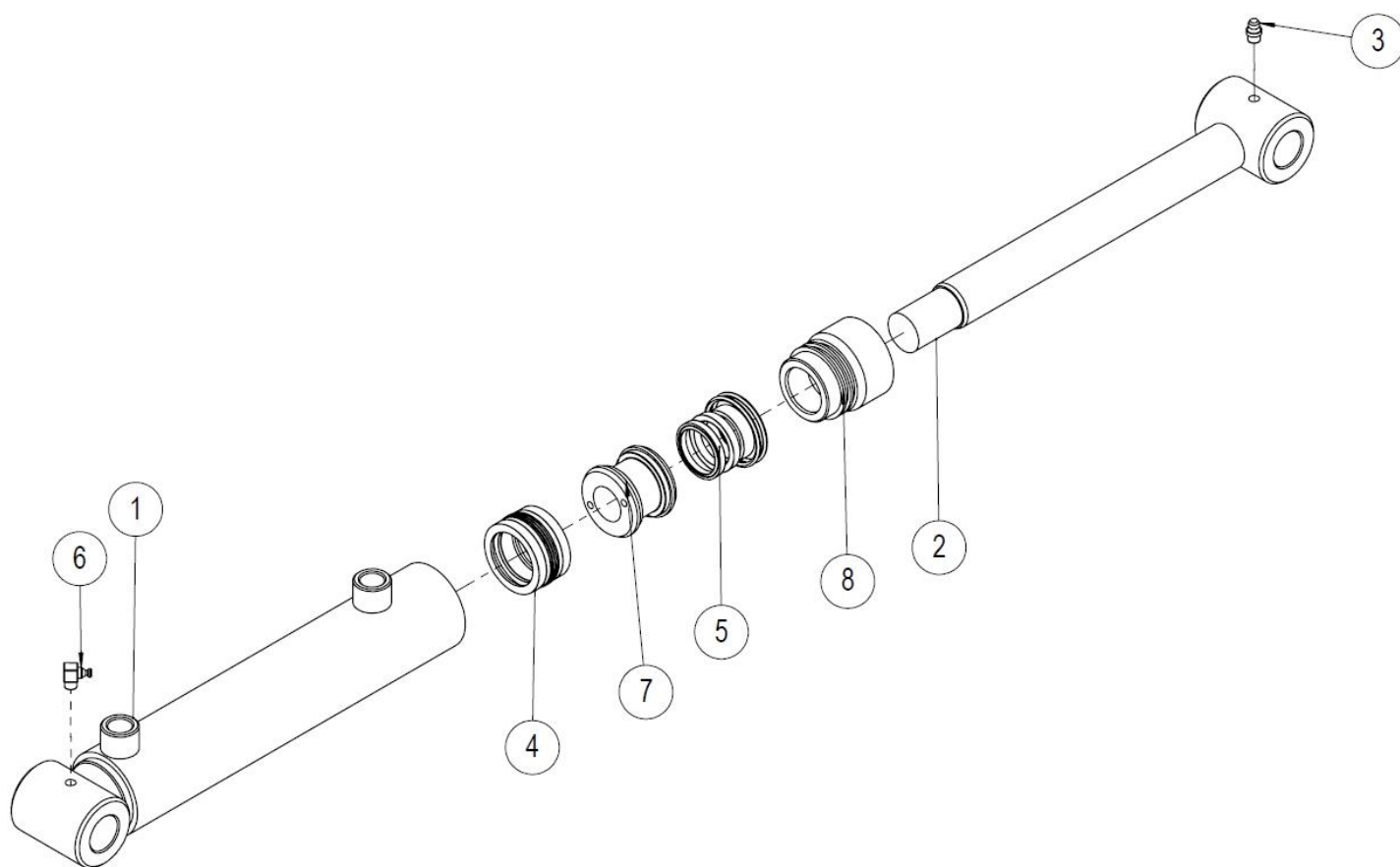
1.68 Saw dust extractor with tractor hydraulics (50034476)



**1.69 Saw dust extractor parts list**

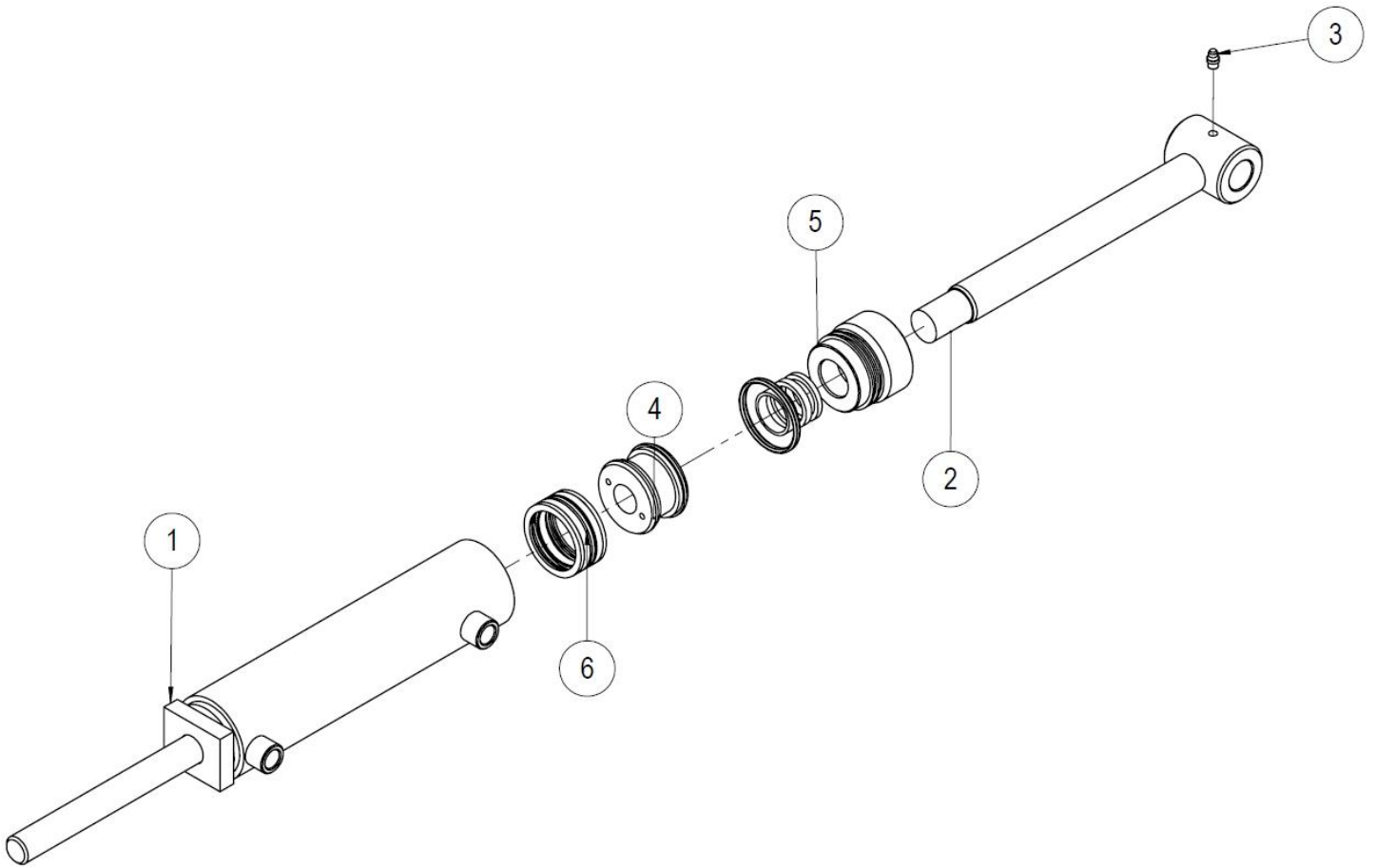
<b>No.</b>	<b>Item</b>	<b>Part number</b>	<b>Dimensions</b>	<b>Pcs</b>
33	Hex screw	96165	M8x30	2
32	Double nipple	97203	3/8" x 1/2"	1
31	Saw dust guard plate	50034815		1
30	Cylinder buffer	95733		1
29	Locking nut	96218	M12	2
28	Washer	96058	A12	4
27	Hex screw	96105	M12x150	2
26	Hex nut	96196	M8	2
25	Hex screw	96161	M8x20	1
24	Hex screw	96124	M8x50	2
23	Hydraulic hose 350 bar	97007	800 x 3/8"	1
22	Hydraulic hose	97184	2,000 x 1/2"	2
21	Quick coupler male	97209	1/2"	2
20	Hydraulic hose	97028	360 x 3/8"	1
19	Hydraulic hose 350 bar	97044	450 x 3/8"	2
18	Double nipple	97202	3/8" x 3/8"	1
17	Directional elbow nipple	97250	3/8"	1
16	Adjustable T connector	97230	3/8"	1
15	Connecting nipple	97218	3/8" x 1/2"	2
14	Check valve 0.5 bar	97251	3/8"	2
13	USIT	97212	3/8"	3
12	Adjustable L connector	97234	3/8"	1
11	Adjustable L connector	97228	1/2"	2
10	Directional elbow nipple	97247	1/2"	1
9	USIT	97213	1/2"	4
8	Double nipple	97204	1/2" x 1/2"	3
7	Flow control valve	97920	1/2"	1
6	Locking nut	96222	M8	6
5	Washer	96061	A8	16
4	Flange bolt 8.8 ZN	96552	M8x8	4
3	Output connection	50029725		1
2	Saw dust blower	50030264		1
1	Saw dust blower bracket	50035812		1

### 1.70 Saw cylinder (10243)



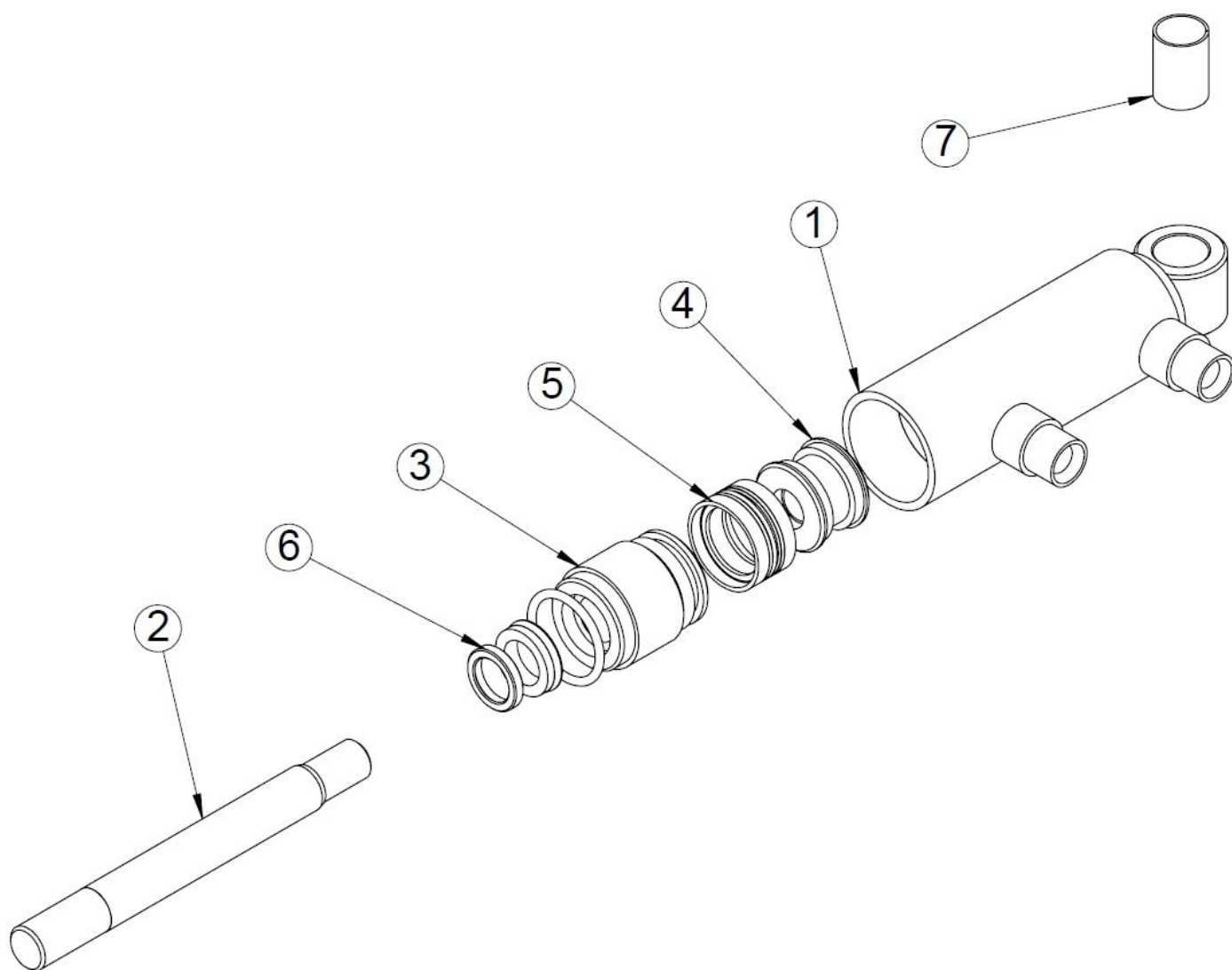
No.	Item	Part number	Pcs
1	Cylinder pipe	10282	1
2	Cylinder rod	10281	1
3	Lubrication nipple M8x1	96276	1
4	Piston seal kit 50-32	97294	1
5	Rod guide seals 50-32	97294	1
6	Lubrication nipple M8x1 90 GR	96275	1
7	Piston	10260	1
8	Rod guide	10261	1

### 1.71 Splitting blade control cylinder (47733)



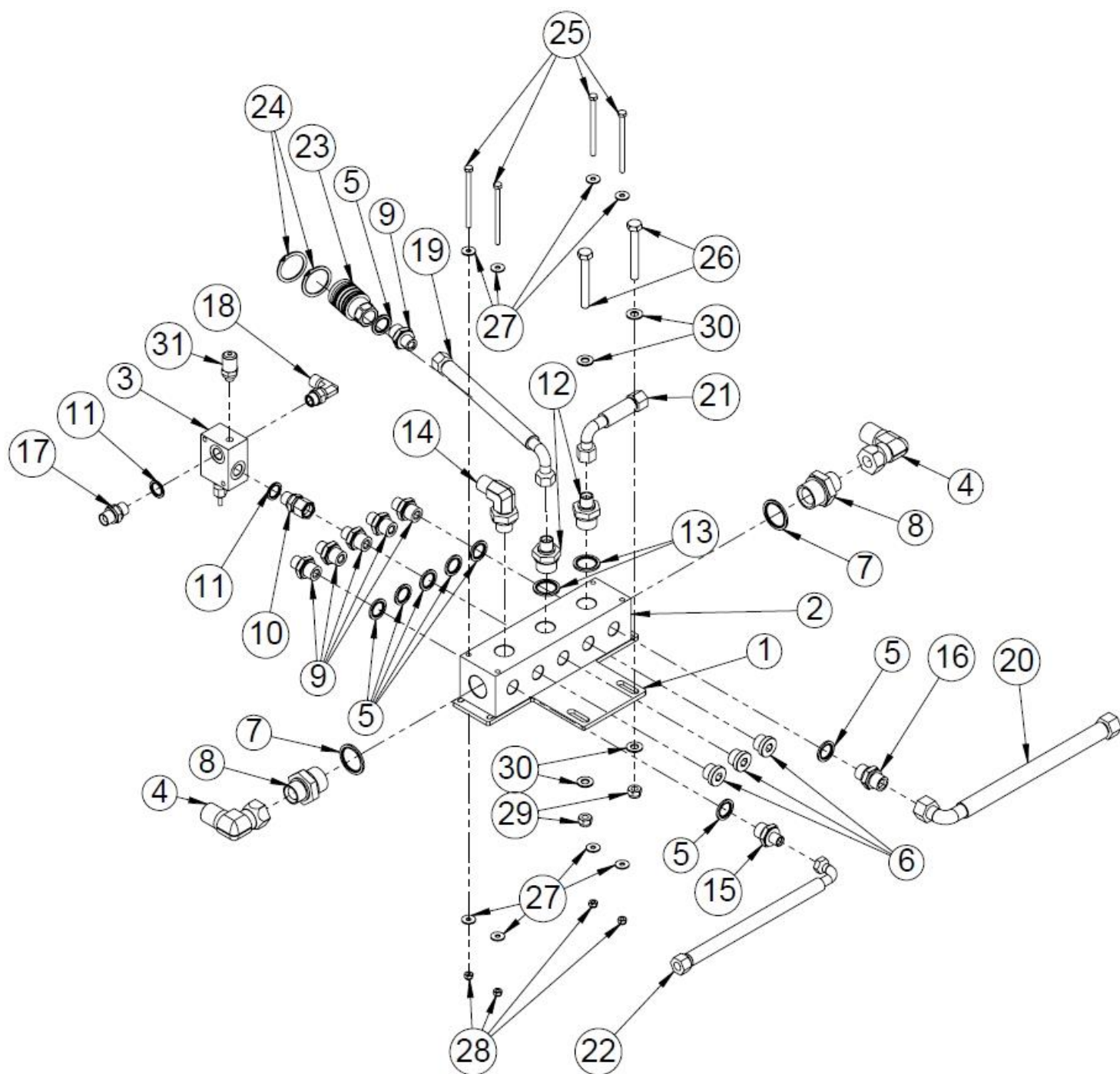
No.	Item	Part number	Pcs
1	Cylinder pipe assembly	47466	1
2	Cylinder rod	10281	1
3	Lubrication nipple M8x1	96276	1
4	Piston Ø63.32 and Ø63.45	10664	1
5	Piston rod guide 63/32	47735	1
6	Seal kit D 63/32	97295	1

### 1.72 Log measuring device cylinder (50027088)



No.	Part number	Item	Dimensions	Pcs
1	50025509	Cylinder pipe		1
2	50027089	Cylinder rod		1
3	10269	Cylinder rod guide		1
4	10270	Cylinder piston		1
5	97293	Seal kit	32/16	1
6	97293	Seal kit	32/16	1
7	95064	Slide bearing	18x16x25	1

### 1.73 Manifold assembly (50034458)

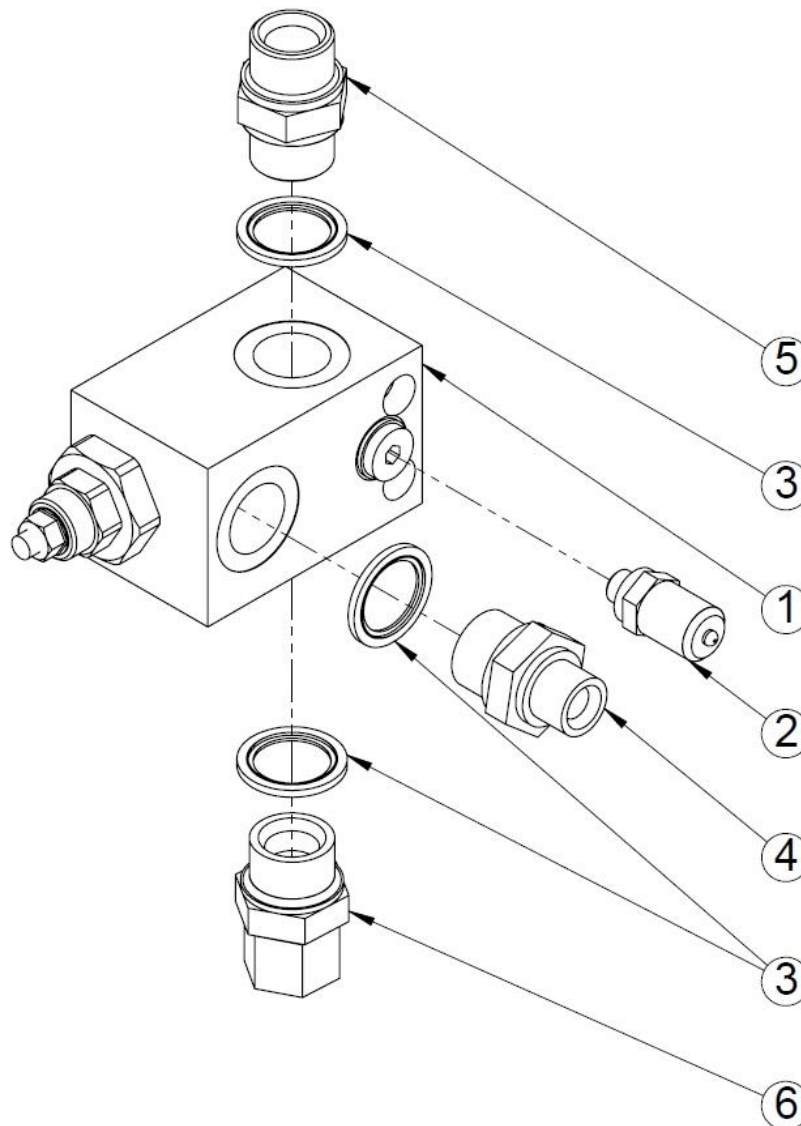


**1.74 Manifold assembly parts list**

<b>No.</b>	<b>Item</b>	<b>Part number</b>	<b>Dimensions</b>	<b>Pcs</b>
31	Pressure measurement fitting	97378		1
30	Washer	96049	A10	4
29	Locking nut	96068	M10	2
28	Locking nut	96221	M6	4
27	Washer	96084	M6	8
26	Hex screw	96445	M10x80	2
25	Hex screw	96442	M6x80	4
24	Retaining ring	96371	38	2
23	Quick coupler, female, 1.2 automatic	97388		1
22	Hydraulic hose	97169	2,400 1/4"	1
21	Hydraulic hose	97180	500 x 3/8"	1
20	Hydraulic hose	97108	650 x 1/2"	1
19	Hydraulic hose	97035	1,400 x 3/8"	1
18	Directional elbow nipple	97250	3/8"	1
17	Double nipple	97202	3/8" x 3/8"	1
16	Double nipple	97204	1/2" x 1/2"	1
15	Double nipple	97239	1/2" x 1/4"	1
14	Directional elbow nipple	97631	3/4" x 1/2"	1
13	USIT	97214	3/4"	2
12	Double nipple	97206	3/8" x 3/4"	2
11	USIT	97212	3/8"	2
10	Connecting nipple	97219	3/8" x 3/8"	1
9	Double nipple	97203	3/8" x 1/2"	6
8	Double nipple	97208	3/4" x 1"	2
7	USIT	97215	1"	2
6	Plug	97261	1/2"	3
5	USIT	97213	1/2"	8
4	Elbow nipple	97242	3/4" x 3/4"	2
3	Relief valve	97411		1
2	Manifold	50028183		1
1	Manifold fastening plate	50029787	PL6	1



### 1.75 Splitting function relief valve (50035244)



No.	Item + dimensions	Part number	Pcs
6	Connecting nipple 3/4" x 1/2"	97217	1
5	Double nipple 3/4" x 3/4"	97207	1
4	Double nipple 1/2" x 3/4"	97205	1
3	USIT 3/4"	97214	3
2	Pressure measurement fitting 1/4"	97378	1
1	Pressure relief 3/4" pilot-controlled	97886	1