

**HAKKIPIILKE®**

# Hakki Pilke 43 pro Rev. A

## Spare parts manual

**MAASELÄN KONE OY**

Valimotie 1, FI-85800 Haapajärvi, FINLAND

Tel. +358 8 772 7300, Fax +358 8 772 732

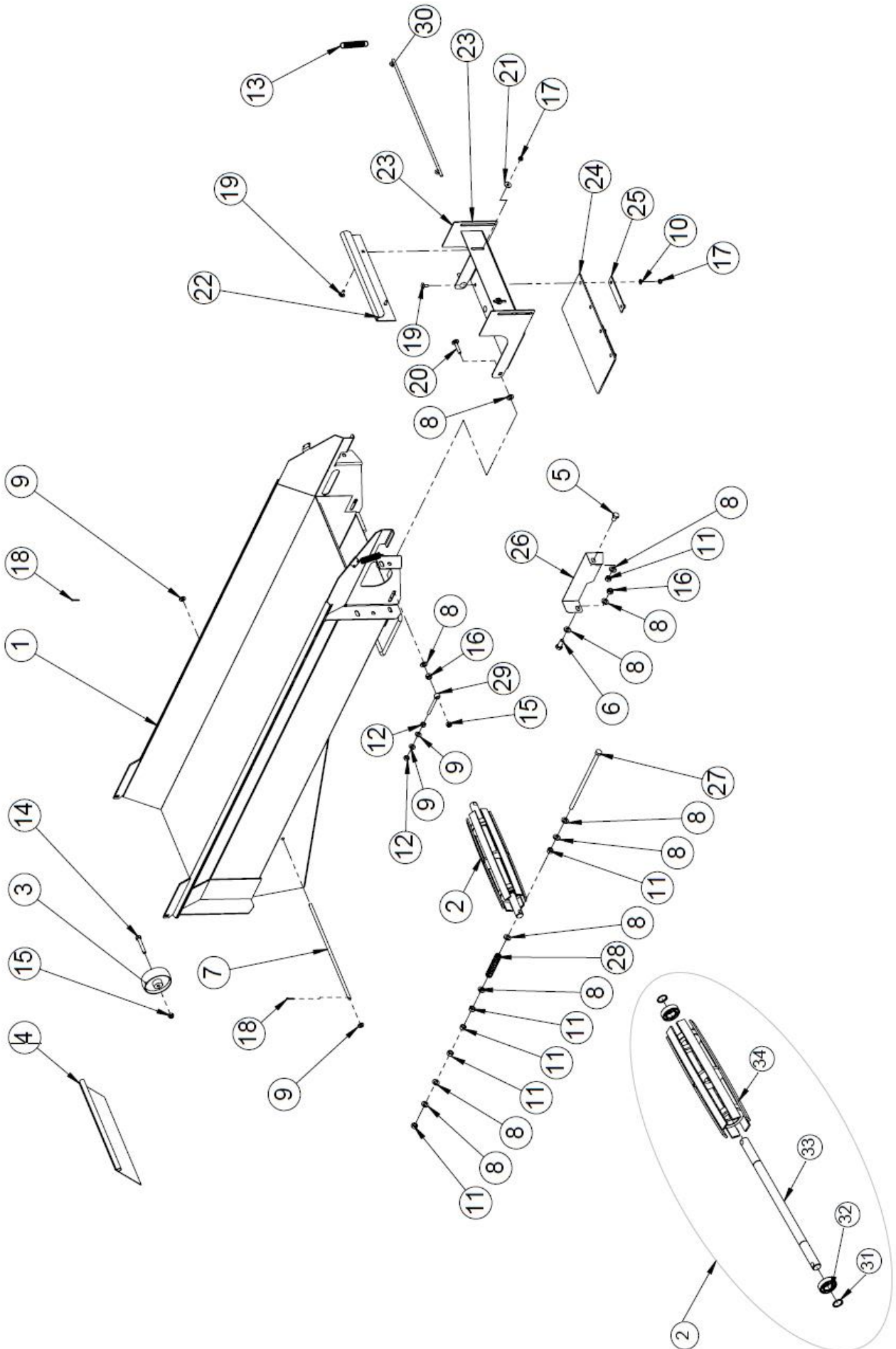
info@maaselankone.fi, [www.maaselankone.fi](http://www.maaselankone.fi)

## Table of contents

1	Exploded view of the upper section of the out-feed conveyor (larger conveyor, (after 1 May 2017), 500029753) .....	4
2	Parts list of the upper section of the out-feed conveyor (larger conveyor) .....	5
3	Out-feed conveyor lift cylinder, left (50001988) .....	6
4	Out-feed conveyor lift cylinder, right (50001989) .....	7
5	Out-feed conveyor belt (larger) .....	8
6	Lower section of the out-feed conveyor, larger conveyor (50030190, after 1 May 2017) .....	9
7	Parts list of the lower section of the out-feed conveyor (larger conveyor, 50030190) .....	10
8	Lower section of the out-feed conveyor (smaller conveyor, 50016890) .....	11
9	Parts list of the lower section of the out-feed conveyor (smaller conveyor, 50016890) .....	12
10	Upper section of the out-feed conveyor (smaller conveyor) .....	13
11	Parts list of the upper section of the out-feed conveyor (smaller conveyor) .....	14
12	Lower section of the out-feed conveyor, larger (before 1 May 2017) .....	15
13	Parts list of the lower section of the out-feed conveyor, larger (before 1 May 2017) .....	16
14	Belt of the smaller out-feed conveyor (50027262) .....	17
15	Smaller out-feed conveyor .....	18
16	Parts list of the smaller out-feed conveyor .....	19
17	Larger out-feed conveyor .....	20
18	Parts list of the larger out-feed conveyor .....	21
19	Splitting control kit 1 (50023487) .....	22
20	Splitting control kit 2 (50023487) .....	23
21	Parts list of the splitting control kit .....	24
22	Splitting mechanism trigger .....	26
23	Saw chain lubrication (50029960) .....	27
24	Guard safety mechanism (50029926) .....	28
25	Power transmission, PTO model (50029904) .....	29
26	Parts list of the power transmission (PTO model) .....	30
27	Manifold B (50029899) .....	31
28	Manifold A (50029858) .....	32
29	Saw chain tensioning tap (50029857) .....	33
30	4-block valve (50029849) .....	34
31	In-feed length adjuster (5029848) .....	35
32	Log guide plate control valve (50029847) .....	36
33	Auxiliary device control valve (50029844) .....	37
34	Check valve kit (50029553) .....	38
35	Saw kit (50028446) .....	39
36	Parts list of the saw kit .....	40
37	Valve mount (50028427) .....	41
38	Parts list of the valve mount .....	42

39	Return side manifold (50028185) .....	43
40	Log press (50027761) .....	44
41	Parts list of the log press .....	45
42	Log measuring device limiter plate (50027757) .....	46
43	Log measuring device cylinder (50027088) .....	47
44	Frame .....	48
45	Parts list of the frame .....	49
46	Log guide plate, back .....	50
47	Guide plate cylinder (50025511) .....	51
48	Oil tank, complete .....	52
49	Parts list of the oil tank .....	53
50	Log guide plate, front (50024609) .....	54
51	Splitting guard (50023822) .....	55
52	In-feed conveyor extension (50021334) .....	56
53	Parts list of the in-feed conveyor extension (50021334) .....	57
54	Splitting blade height adjustment cylinder (60915) .....	58
55	Saw actuating cylinder (10240) .....	59
56	Electric motor assembly (50029910), electric model .....	60
57	Parts list of the electric motor assembly (50029910) .....	61
58	Electric motor assembly (50029906), Combi model .....	62
59	Parts list of the electric motor assembly (50029906) .....	63
60	Saw-dust removal (50030264) .....	64
61	Saw-dust removal assembly (50029709) .....	65
62	Parts list of the saw-dust removal assembly (50029709) .....	66
63	Main assembly, A .....	67
64	Main assembly, B .....	68
65	Parts list of the main assembly (A + B) .....	69
66	High-pressure cylinder (50028448) .....	72
67	High-pressure cylinder 2 (50028450) .....	73
68	Log press cylinder (47381) .....	74
69	Oil cooler (43698) .....	75

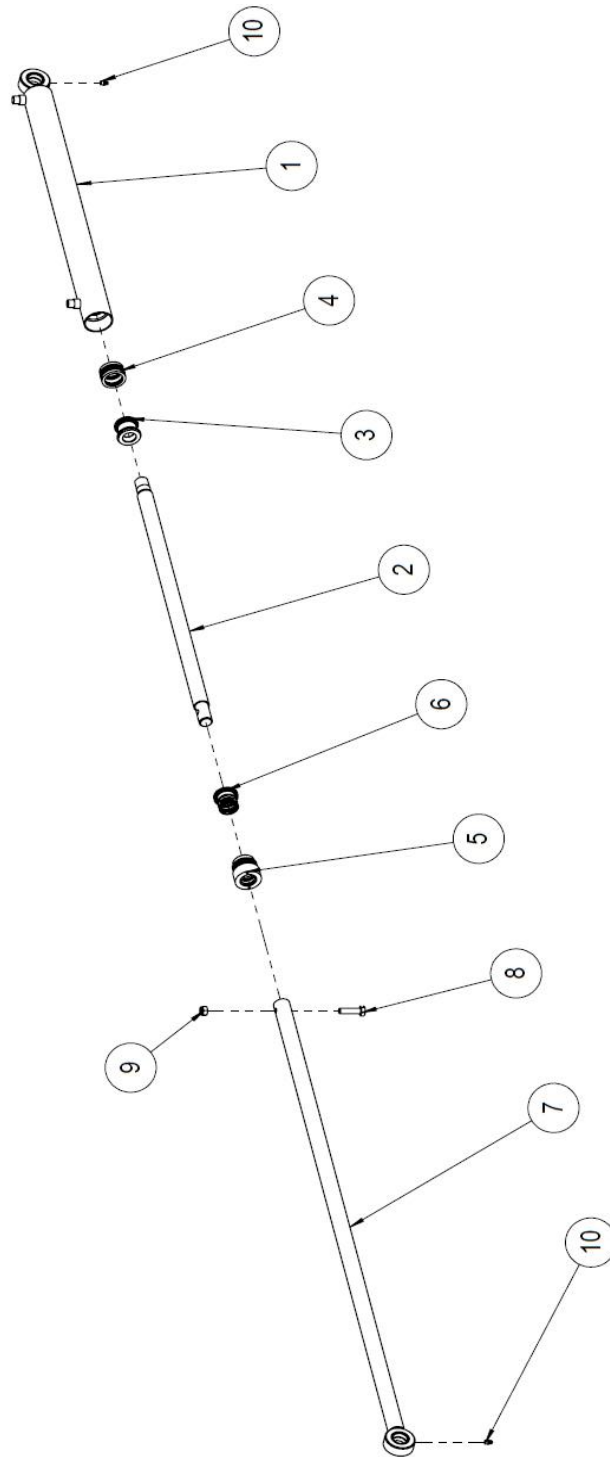
- 1 Exploded view of the upper section of the out-feed conveyor (larger conveyor, (after 1 May 2017), 500029753)



## 2 Parts list of the upper section of the out-feed conveyor (larger conveyor)

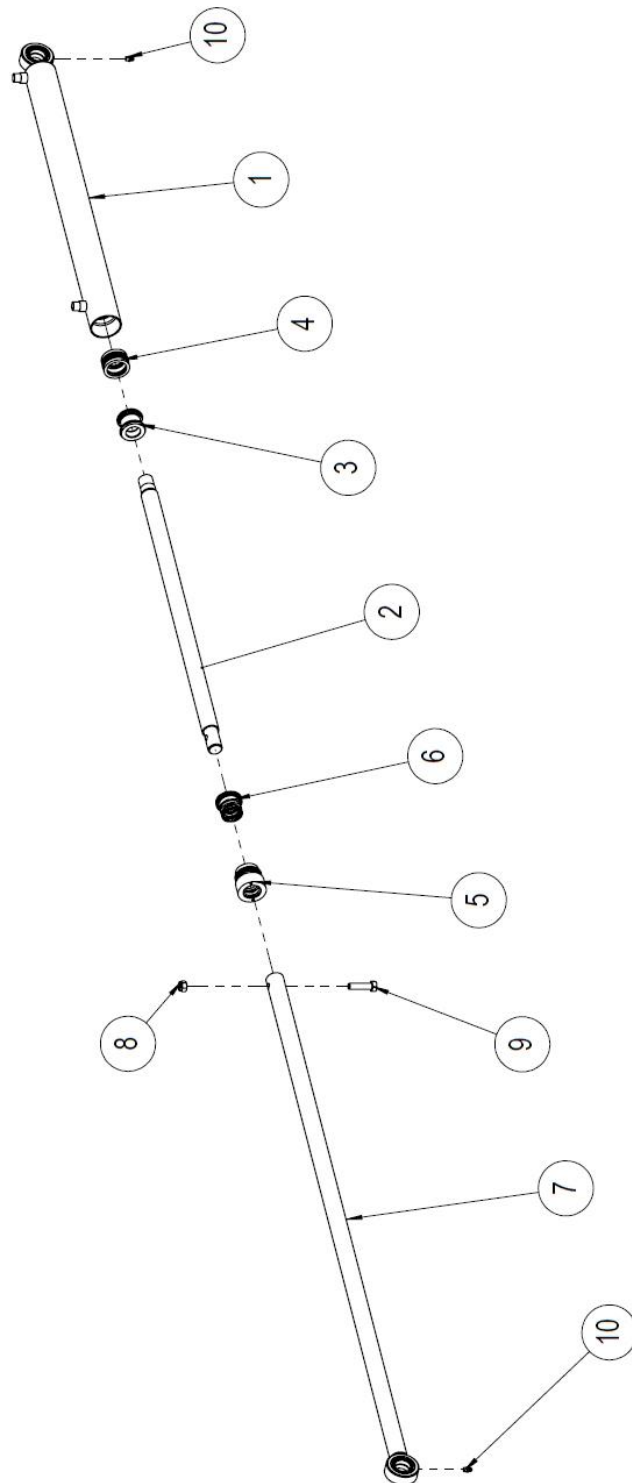
No.	Part number	Name	Standard	Dimensions	Pcs
1	50029734	Frame			1
2	47711	Upper roller of the conveyor			1
3	95493	Wheel		100x36	1
4	47836	Protective plate			1
5	96144	Hex screw	DIN 933	M12x20	1
6	96146	Hex screw	DIN 933	M12x30	1
7	47863	Hinge rod		Ø10 L=430	1
8	96058	Washer	DIN 125	A12	19
9	96049	Washer	DIN 125	A10	6
10	96061	Washer	DIN 125	A8	4
11	96200	Hex nut	DIN 934	M12	11
12	96199	Hex nut	DIN 934	M10	4
13	95390	Draw spring		2x20x100	2
14	96101	Hex screw	DIN 931	M10x65	1
15	96068	Lock nut	DIN 985	M10	3
16	96218	Lock nut	DIN 985	M12	3
17	96222	Lock nut	DIN 985	M8	6
18	96245	Cotter pin	DIN 94	3.2x20	2
19	96187	Carriage bolt	DIN 603	M8x20	6
20	96312	Carriage bolt	DIN 603	M10x50	2
21	96085	Washer	DIN 9021	M8	2
22	47858	Lip plate			1
23	50029728	Debris separator			1
24	50029792	Debris separator rubber			1
25	37596	Fastening plate			2
26	10858	Protective plate for the roller			1
27	96355	Hex screw	DIN 933	M12x280	2
28	95543	Pressure spring		4x22x100	2
29	96338	Eye bolt	DIN 444	M10x90	2
30	50030043	Limiter bar			1
31	96042	Retaining ring	DIN 471	25	2
32	95050	Bearing		6205	2
33	47636	Shaft			2
34	50001412	Roller			1

## 3 Out-feed conveyor lift cylinder, left (50001988)



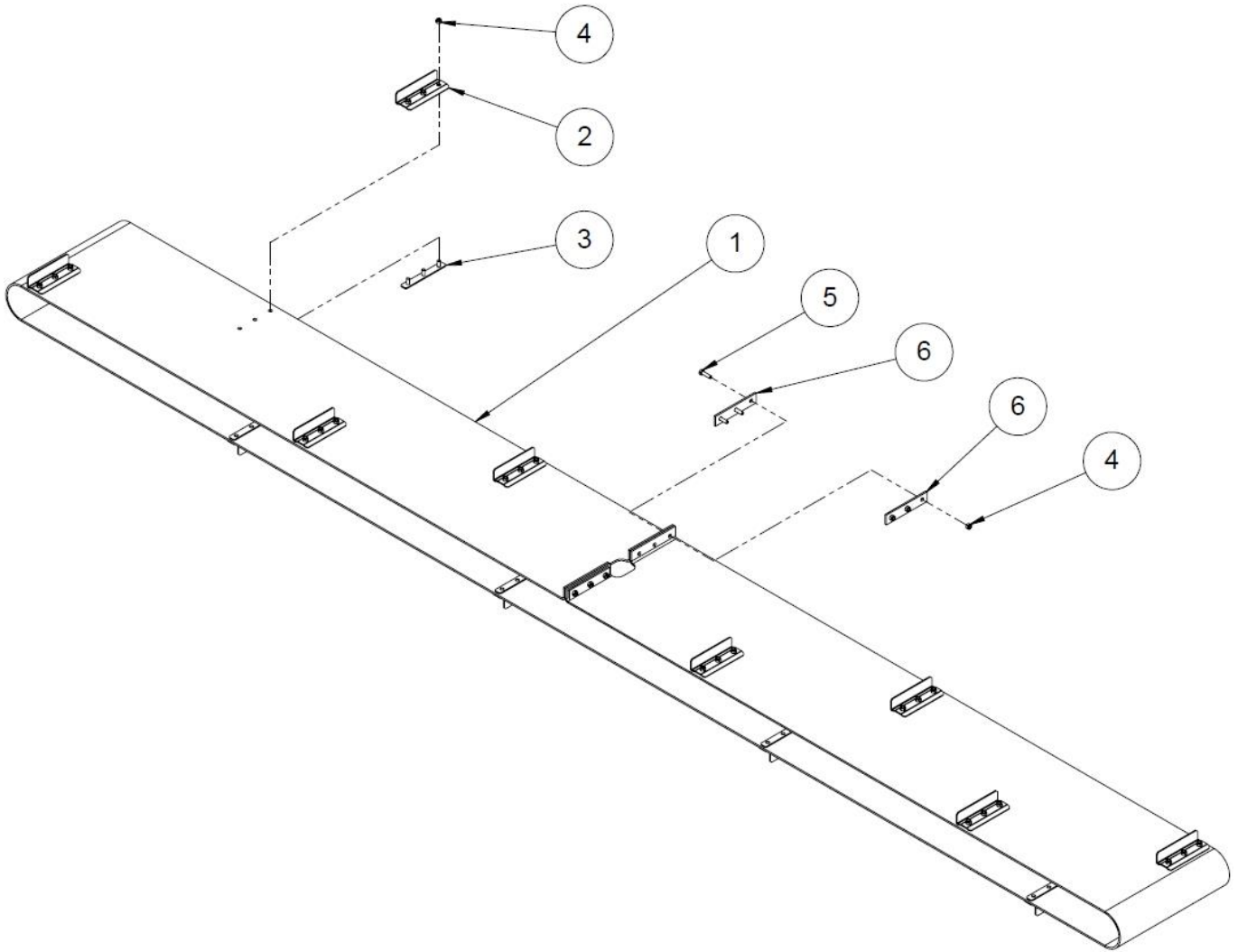
No.	Part number	Name	Standard	Dimensions	Pcs
1	47746	Cylinder pipe			1
2	47744	Cylinder rod		D32	1
3	10260	Piston			1
4 and 6	97294	Piston seal kit 50-32			1
5	10261	Rod control			1
7	47717	Cylinder connecting rod			1
8	96149	Hex screw	DIN 933	M12x45	1
9	96218	Lock nut	DIN 985	M12	1
10	96276	Lubrication nipple M8X1			2

## 4 Out-feed conveyor lift cylinder, right (50001989)



No.	Part number	Name	Standard	Dimensions	Pcs
1	47751	Cylinder pipe			1
2	47744	Cylinder rod		D32	1
3	10260	Piston			1
4 and 6	97294	Piston seal kit		50-32	1
5	10261	Rod control			1
7	47740	Cylinder connecting rod			1
8	96218	Lock nut	DIN 985	M12	1
9	96149	Hex screw	DIN 933	M12x45	1
10	96276	Lubrication nipple		M8X1	2

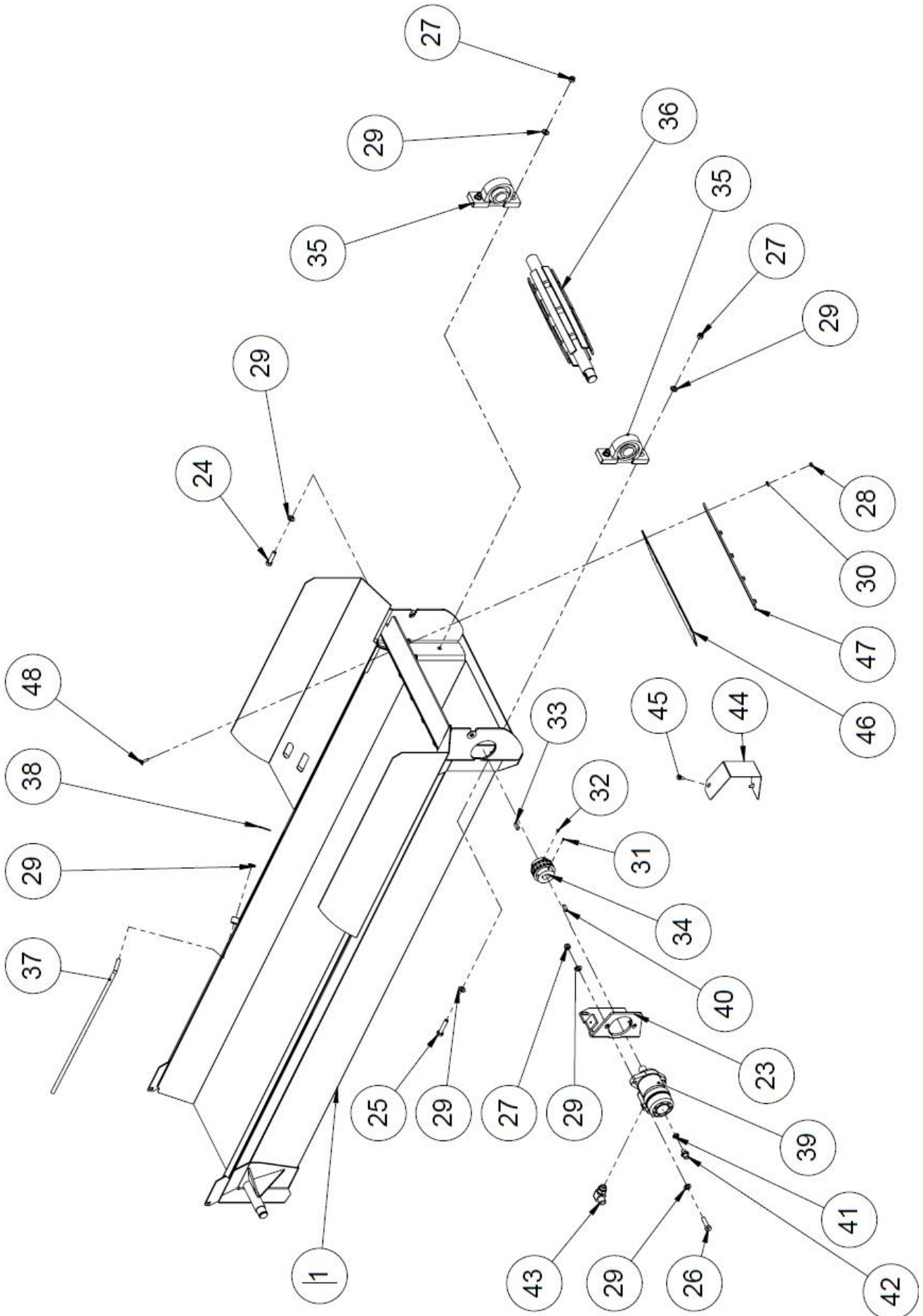
## 5 Out-feed conveyor belt (larger)



No.	Part number	Name	Standard	Dimensions	Pcs
1	95127	Conveyor belt		L=8130	1
2	09014	Conveyor cleat			16
3	09027	Cleat fastening			16
4	96222	Lock nut	DIN 985	M8	54
5	96165	Hex screw	DIN 933	M8x30	6
6	9045	Connection plate for the belt		5x30L=145	4



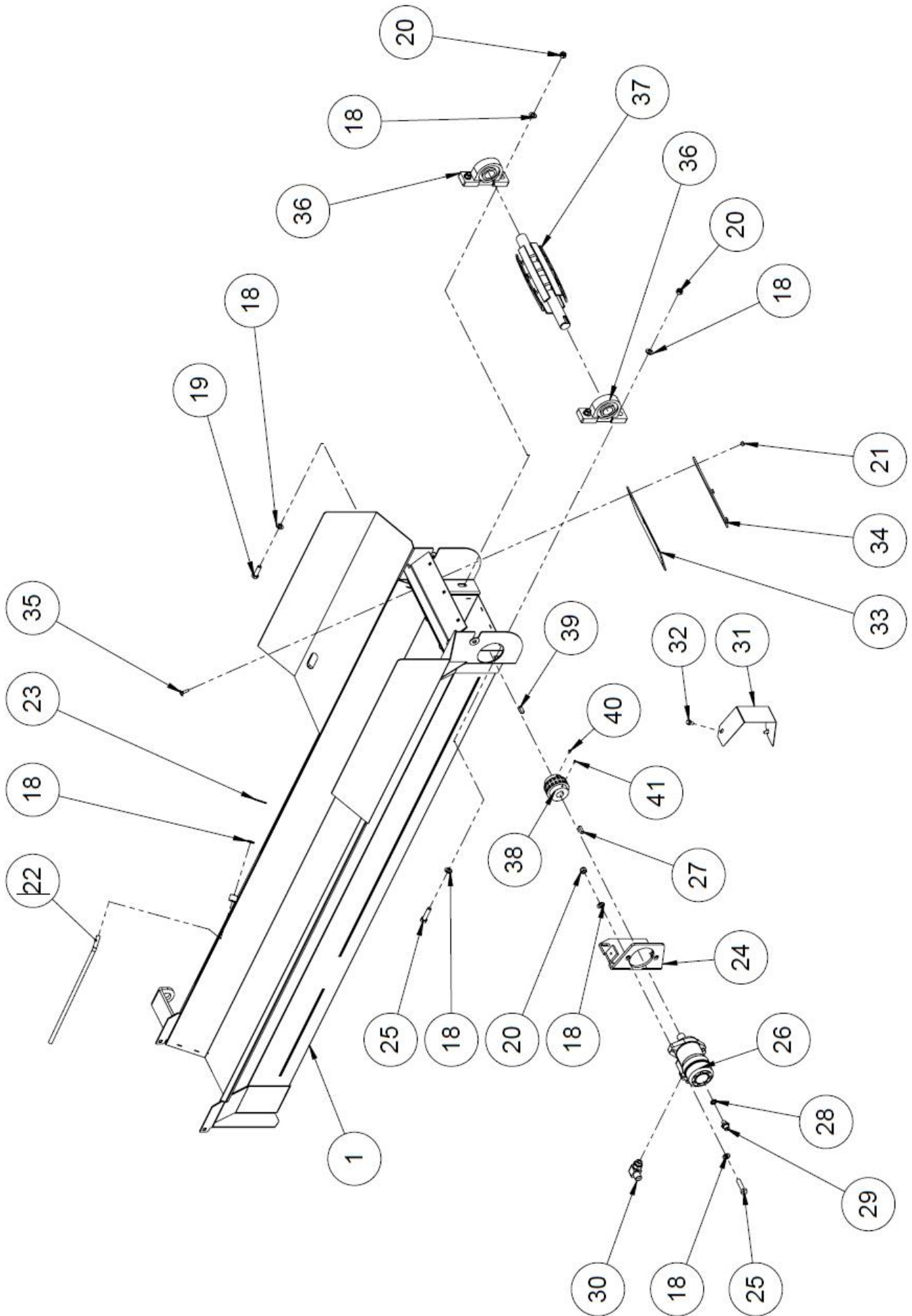
6 Lower section of the out-feed conveyor, larger conveyor (50030190, after 1 May 2017)



## 7 Parts list of the lower section of the out-feed conveyor (larger conveyor, 50030190)

No.	Part number	Name	Standard	Dimensions	Pcs
1	50030191	Frame			1
23	50015466	Motor fastening plate			1
24	96108	Hex screw	DIN 931	M12x50	2
25	96109	Hex screw	DIN 931	M12x60	2
26	96107	Hex screw	DIN 931	M12x45	2
27	96218	Lock nut	DIN 985	M12	6
28	96222	Lock nut	DIN 985	M8	5
29	96058	Washer	DIN 125	A12	13
30	96061	Washer	DIN 125	A8	5
31	96362	Socket set screw	DIN 916	M6x8	2
32	96228	Socket set screw	DIN 916	M8x8	2
33	47642	Wedge		10x8L=25	1
34	95448	Chain coupling			1
35	95059	Bearing		UCP208	2
36	50001410	Drive roller			1
37	47055	Conveyor belt holder			1
38	96246	Cotter pin	DIN 94	3.2x32	1
39	97334	Hydraulic motor		MP50CU	1
40	97371	Hydraulic motor wedge			1
41	97211	USIT 1/4"			1
42	97201	Double nipple 1/4" x 3/8"			1
43	97247	Directional corner nipple 1/2"			2
44	47654	Guard			1
45	96172	Flange bolt		M8x16	2
46	95275	Rubber flap			1
47	47709	Rubber flap fastener		5x30L=490	1
48	96191	Carriage bolt	DIN 603	M8x25	5

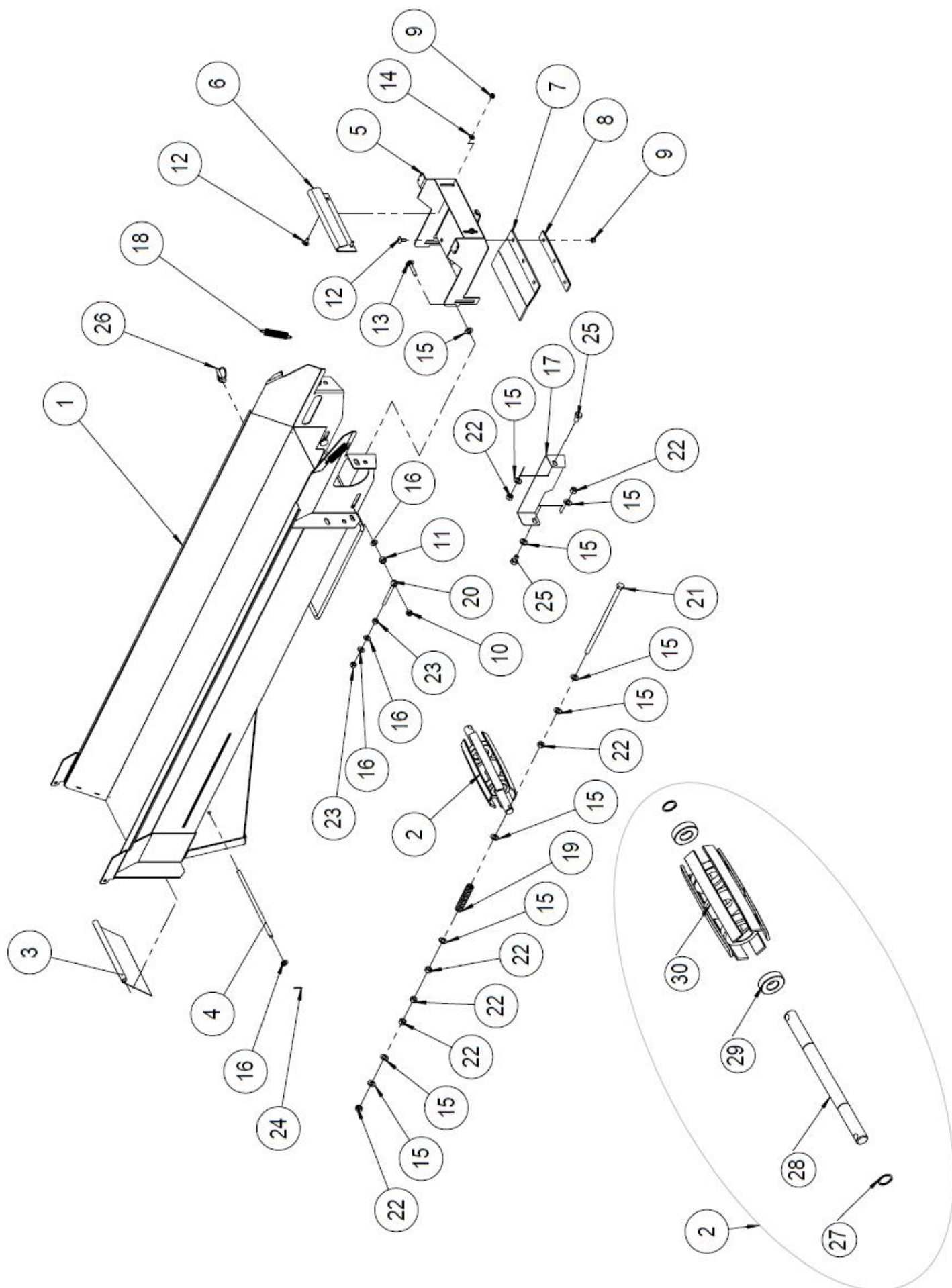
8 Lower section of the out-feed conveyor (smaller conveyor, 50016890)



9 Parts list of the lower section of the out-feed conveyor (smaller conveyor, 50016890)

No.	Part number	Name	Standard	Dimensions	Pcs
1	61335	Frame			1
18	96058	Washer	DIN 125	A12	13
19	96148	Hex screw	DIN 933	M12x40	2
20	96218	Lock nut	DIN 985	M12	6
21	96222	Lock nut	DIN 985	M8	3
22	10819	Conveyor belt holder			1
23	96246	Cotter pin	DIN 94	3.2x32	1
24	50015466	Motor fastening plate			1
25	96108	Hex screw	DIN 931	M12x50	2
26	97334	Hydraulic motor		MP50CU	1
27	97371	Hydraulic motor wedge			1
28	97211	USIT 1/4"			1
29	97201	Double nipple 1/4" x 3/8"			1
30	97247	Directional corner nipple 1/2"			2
31	47654	Guard			1
32	96172	Flange bolt		M8x16	2
33	95130	Conveyor rubber flap			1
34	61172	Rubber flap fastener			1
35	96191	Carriage bolt	DIN 603	M8x25	3
36	95058	Bearing unit		UCP207	2
37	50015676	Drive roller			1
38	95448	Chain coupling			1
39	47642	Wedge		10x8 L=25	1
40	96228	Socket set screw	DIN 916	M8x8	2
41	96362	Socket set screw	DIN 916	M6x8	2
42	96107	Hex screw	DIN 931	M12x45	2

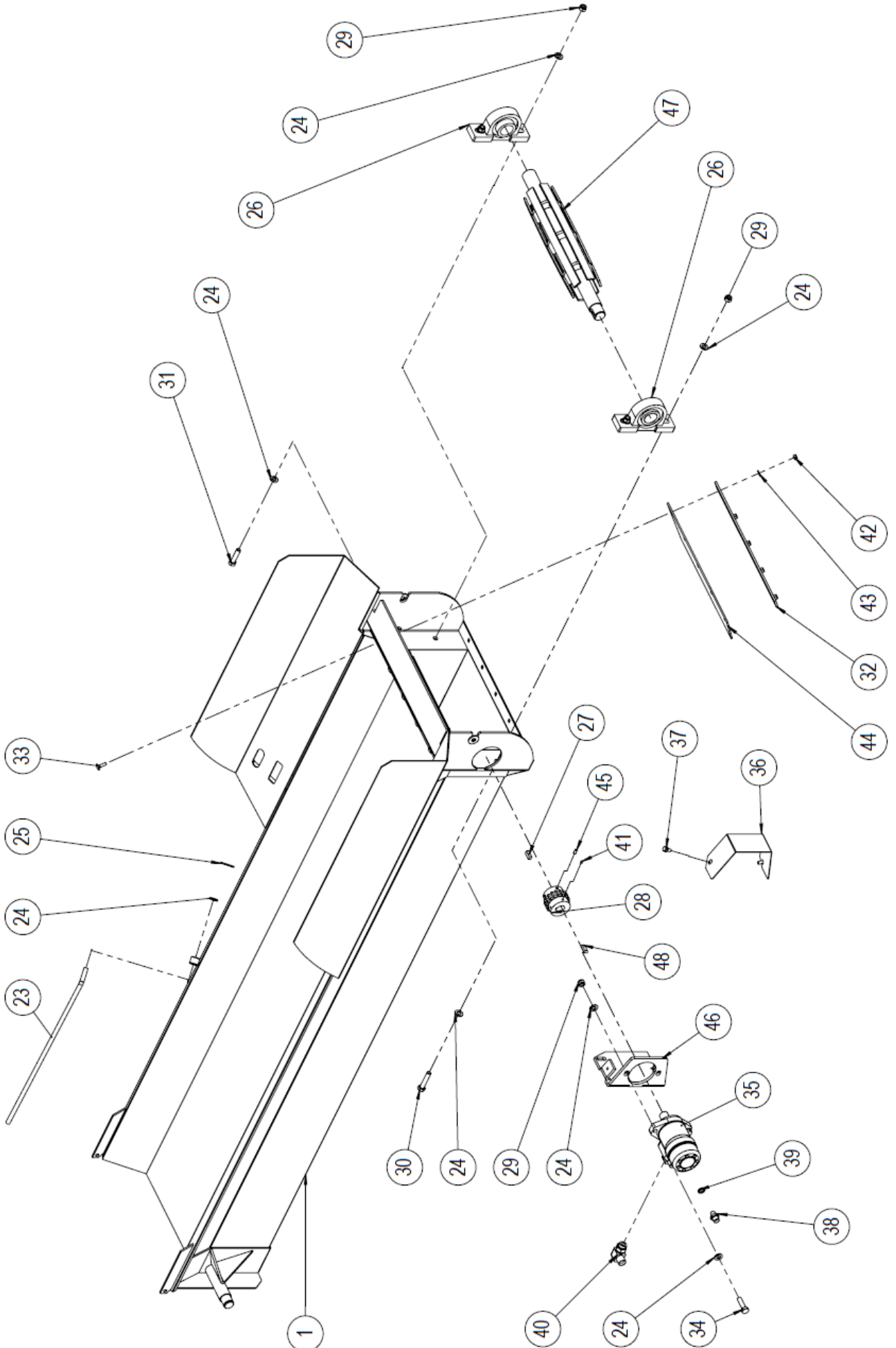
10 Upper section of the out-feed conveyor (smaller conveyor)



## 11 Parts list of the upper section of the out-feed conveyor (smaller conveyor)

No.	Part number	Name	Standard	Dimensions	Pcs
1	10832	Upper section frame			1
2	10132	Upper roller of the conveyor			1
3	37414	Protective plate			1
4	37411	Hinge rod			1
5	50028549	Debris separator			1
6	37412	Lip plate			1
7	10864	Debris separator rubber			1
8	10136	Connection plate for the belt			1
9	96222	Lock nut	DIN 985	M8	5
10	96068	Lock nut	DIN 985	M10	2
11	96218	Lock nut	DIN 985	M12	2
12	96187	Carriage bolt	DIN 603	M8x20	5
13	96312	Carriage bolt	DIN 603	M10x50	2
14	96061	Washer	DIN 125	A8	2
15	96058	Washer	DIN 125	A12	17
16	96049	Washer	DIN 125	A10	8
17	10858	Protective plate for the roller			1
18	95390	Draw spring		2x20x100	2
19	95543	Pressure spring		4x22x100	2
20	96338	Eye bolt	DIN 444	M10x90	2
21	96355	Hex screw	DIN 933	M12x280	2
22	96200	Hex nut	DIN 934	M12	12
23	96199	Hex nut	DIN 934	M10	4
24	96244	Cotter pin	DIN 94	2.5x20	2
25	96144	Hex screw	DIN 933	M12x20	2
26	96242	Ring pin 8 mm			1
27	96042	Retaining ring	DIN 471	25	2
28	10132b	Shaft			1
29	95050	Bearing		6205	2
30	50000211	Upper roller			1

12 Lower section of the out-feed conveyor, larger (before 1 May 2017)

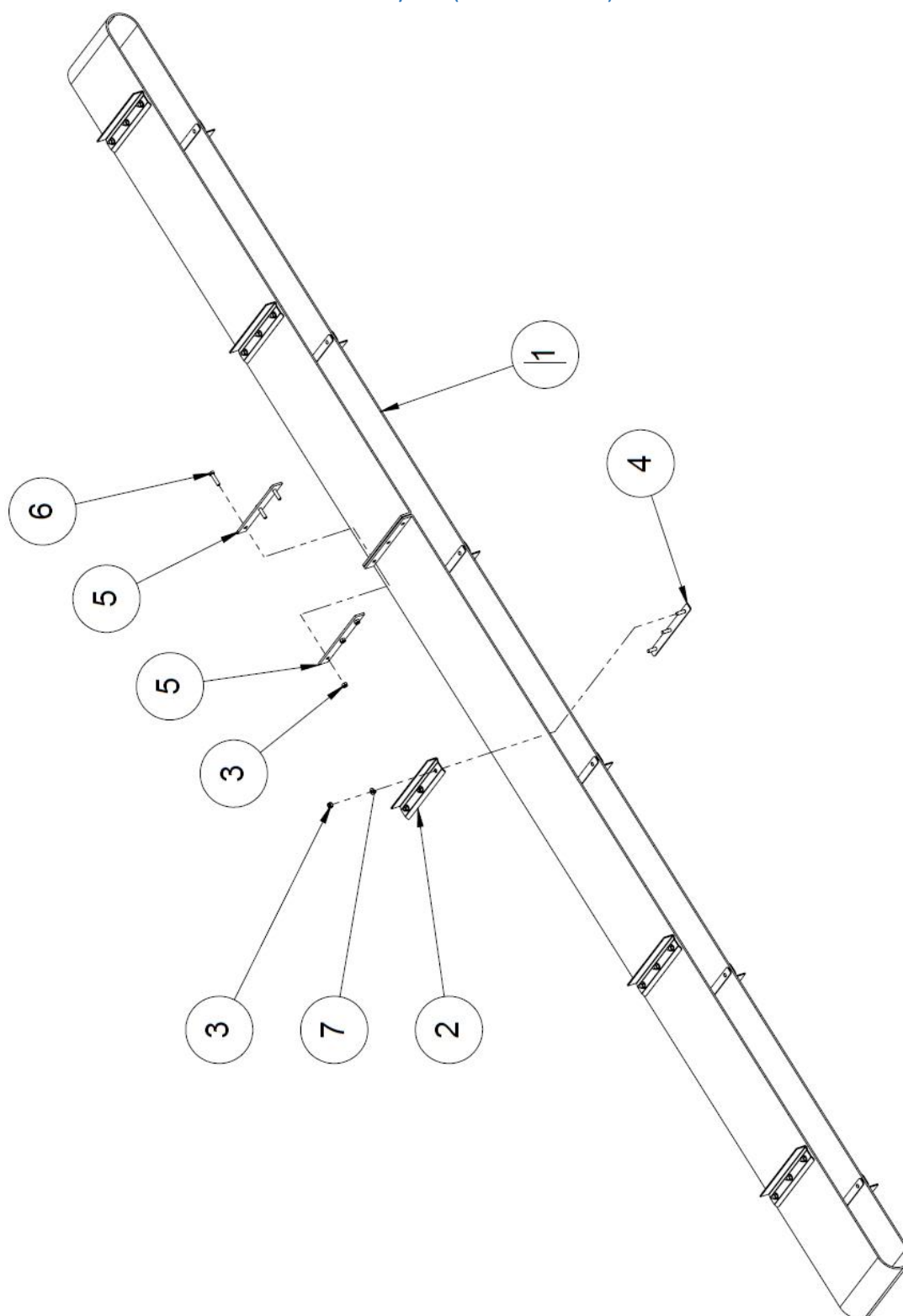


## 13 Parts list of the lower section of the out-feed conveyor, larger (before 1 May 2017)

No.	Part number	Name	Standard	Dimensions	Pcs
1	47743	Frame			1
23	47055	Conveyor belt holder			1
24	96058	Washer	DIN 125	A12	13
25	96246	Cotter pin	DIN 94	3.2x32	1
26	95059	Bearing unit		UCP208	2
27	47642	Wedge		10x8L=25	1
28	95448	Chain coupling			1
29	96218	Lock nut	DIN 985	M12	6
30	96109	Hex screw	DIN 931	M12x60	2
31	96108	Hex screw	DIN 931	M12x50	2
32	47709	Conveyor rubber flap fastening plate			1
33	96191	Carriage bolt	DIN 603	M8x25	5
34	96107	Hex screw	DIN 931	M12x45	2
35	97334	Hydraulic motor		MP50CU	1
36	47654	Guard			1
37	96172	Flange bolt		M8x16	2
38	97201	Double nipple 1/4" x 3/8"			1
39	97211	USIT 1/4"			1
40	97247	Directional corner nipple 1/2"			2
41	96362	Socket set screw	DIN 914	M6x8	2
42	96222	Lock nut	DIN 985	M8	5
43	96061	Washer	DIN 125	A8	5
44	95275	Rubber flap			1
45	96228	Socket set screw	DIN 916	M8x8	2
46	50015466	Motor fastening plate			1
47	50001410	Drive roller			1
48	97371	Hydraulic motor wedge			1

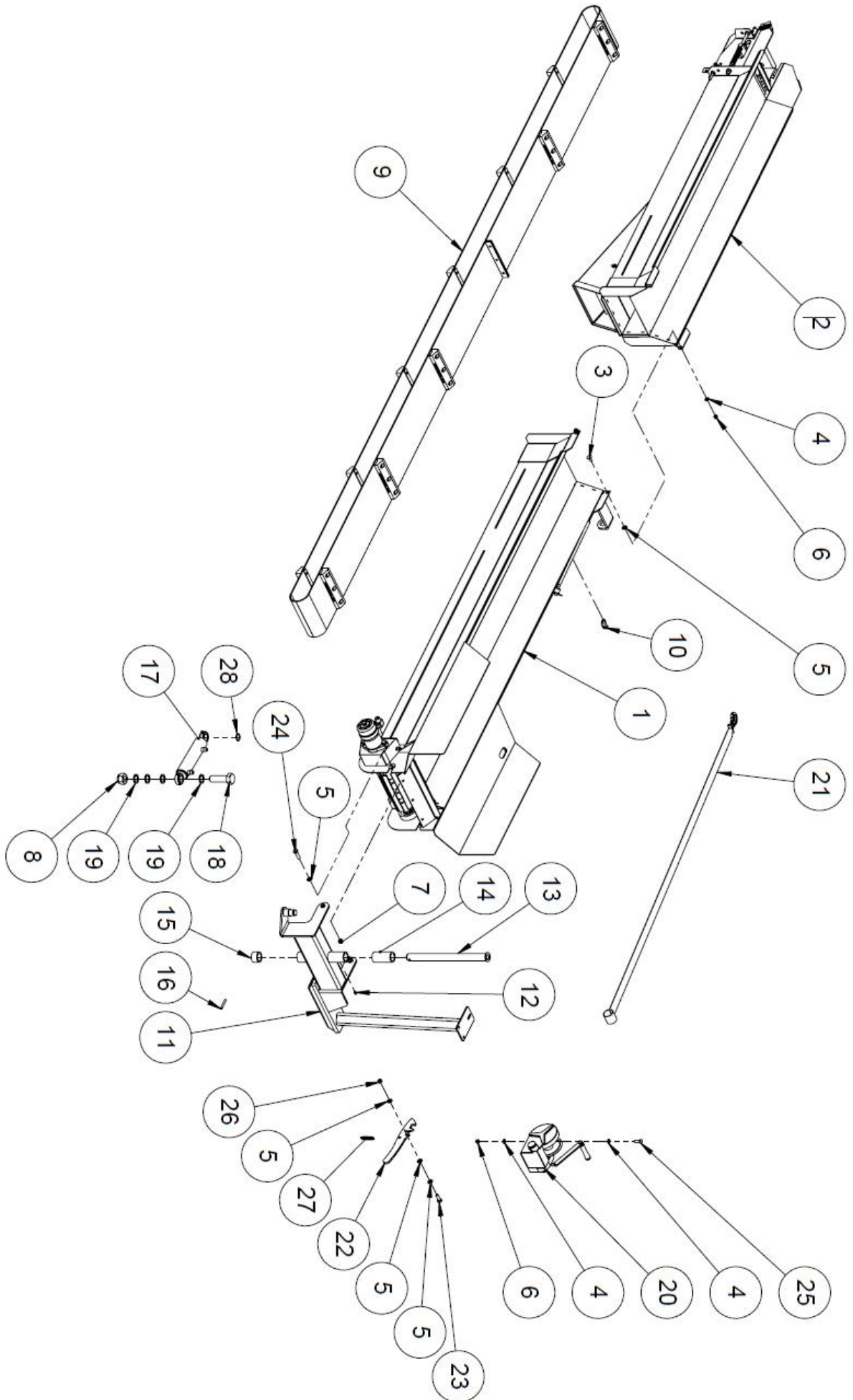


## 14 Belt of the smaller out-feed conveyor (50027262)



No.	Part number	Name	Standard	Dimensions	Pcs
1	95126	Conveyor belt		L=8130	1
2	10135	Cleat, metal			11
3	96222	Lock nut	DIN 985	M8	36
4	10863	Cleat fastening			11
5	10136	Connection plate for the belt			2
6	96166	Hex screw	DIN 933	M8x35	3
7	96061	Washer	DIN 125	A8	33

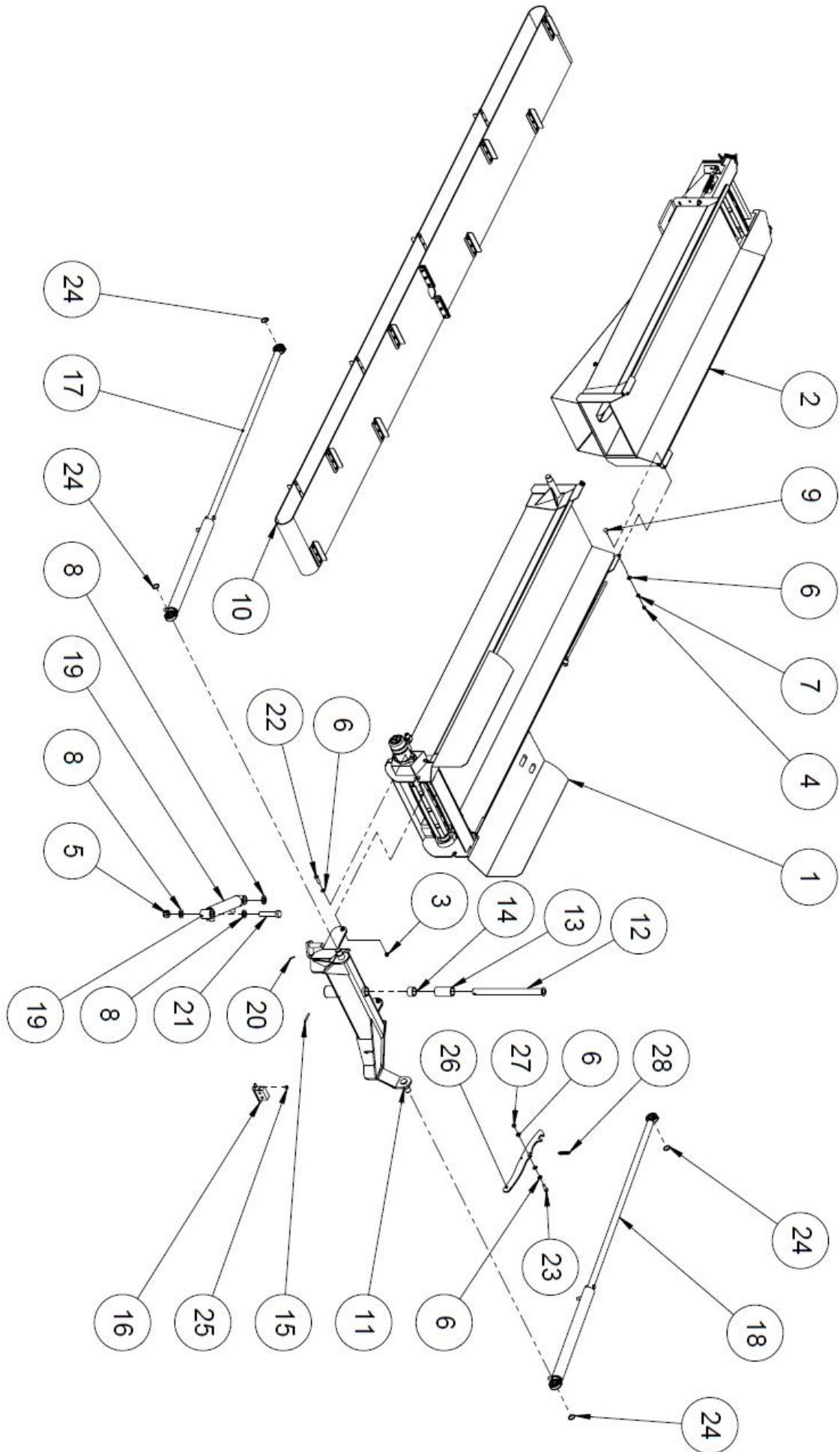
# 15 Smaller out-feed conveyor



## 16 Parts list of the smaller out-feed conveyor

No.	Part number	Name	Standard	Dimensions	Pcs
1	50016890	Lower section of the conveyor			1
2	10831	Upper section of the conveyor			1
3	96186	Carriage bolt	DIN 603	M10x25	2
4	96049	Washer	DIN 125	A10	8
5	96058	Washer	DIN 125	A12	7
6	96068	Lock nut	DIN 985	M10	5
7	96218	Lock nut	DIN 985	M12	2
8	96378	Lock nut	DIN 985	M30	1
9	50027262	Conveyor belt			1
10	96242	Ring pin 8 mm			1
11	60600	Turning device			1
12	96276	Lubrication nipple		M8x1	1
13	50027313	Pin			1
14	50029276	Intermediate bushing			1
15	50027094	Intermediate bushing			1
16	96079	Spring pin	DIN 1481	8x60	1
17	11160	Cylinder			1
18	96377	Hex screw	DIN 931	M30x100	1
19	50006559	Washer			4
20	95412	Winch			1
21	95068	Winch strap			1
22	47089	Locking latch			1
23	96147	Hex screw	DIN 933	M12x35	1
24	96149	Hex screw	DIN 933	M12x45	2
25	96133	Hex screw	DIN 933	M10x30	3
26	96200	Hex nut	DIN 934	M12	1
27	95423	Draw spring			1
28	96044	Retaining ring	DIN 471	30	1

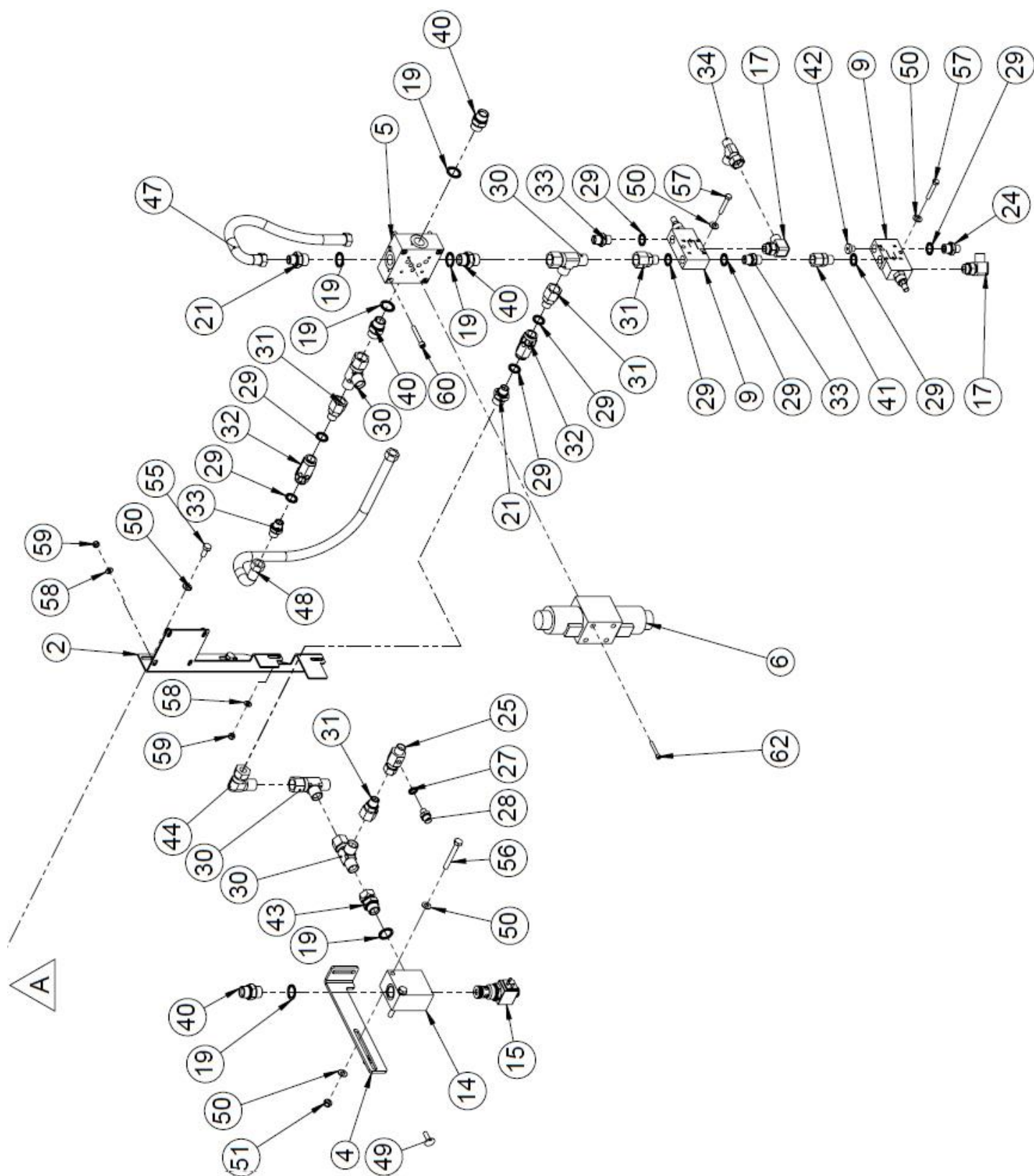
# 17 Larger out-feed conveyor



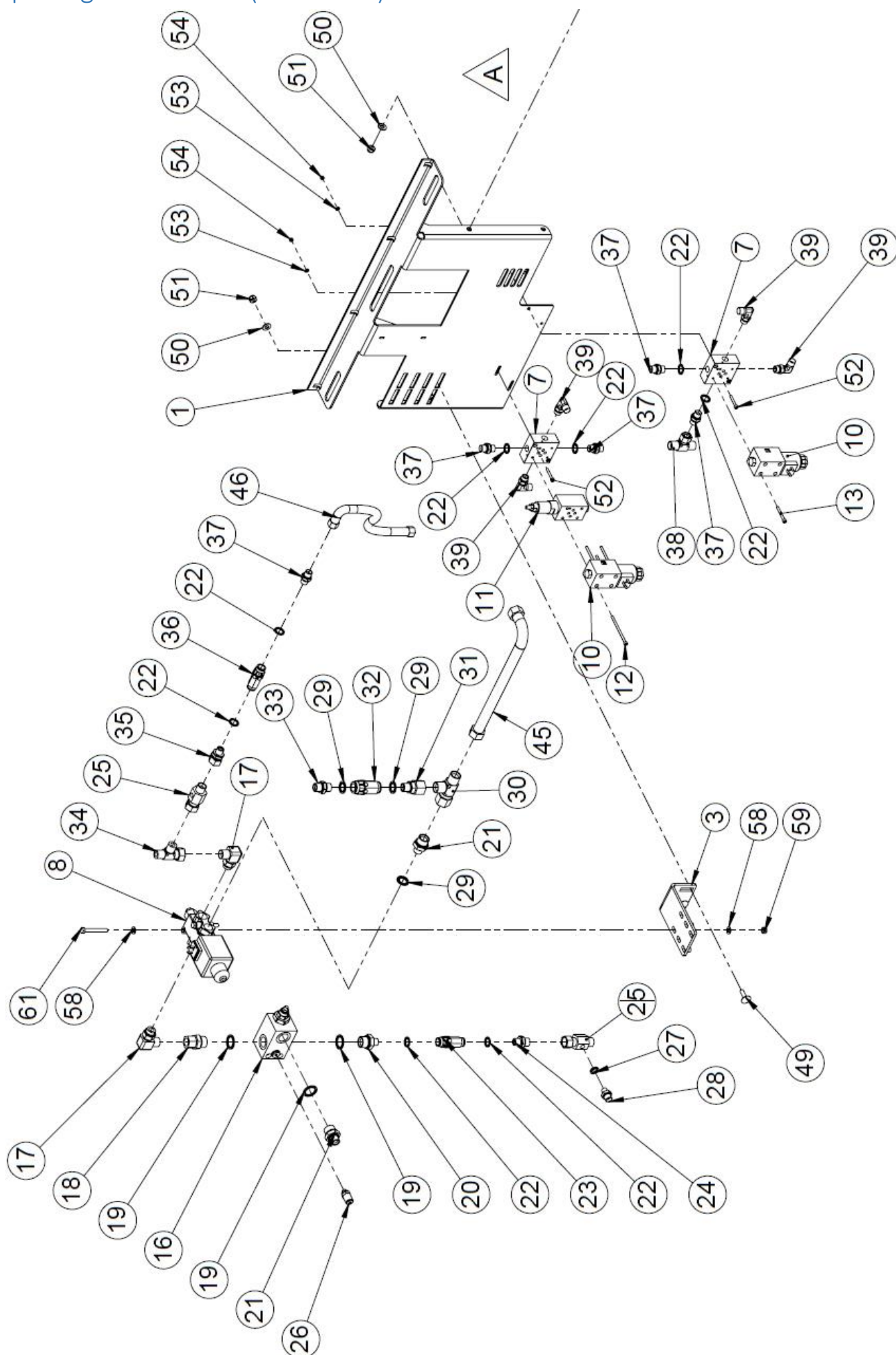
## 18 Parts list of the larger out-feed conveyor

No.	Part number	Name	Standard	Dimensions	Pcs
1	50030190	Lower section of the conveyor			1
2	50030189	Upper section of the conveyor			1
3	96218	Lock nut	DIN 985	M12	2
4	96068	Lock nut	DIN 985	M10	2
5	96214	Lock nut	DIN 985	M24	1
6	96058	Washer	DIN 125	A12	7
7	96049	Washer	DIN 125	A10	2
8	96054	Washer	DIN 125	A24	3
9	96186	Carriage bolt	DIN 603	M10x25	2
10	47800	Conveyor belt			1
11	50029911	Turning device			1
12	50027313	Pin			1
13	50029276	Intermediate bushing			1
14	50027094	Intermediate bushing			1
15	96079	Spring pin	DIN 1481	8x60	1
16	50030022	Oil distributor			1
17	50001988	Lift cylinder left			1
18	50001989	Lift cylinder right			1
19	47243	Swivel cylinder			1
20	96248	Cotter pin	DIN 94	4x40	1
21	96429	Hex screw	DIN 931	M24x110	1
22	96149	Hex screw	DIN 933	M12x45	2
23	96147	Hex screw	DIN 933	M12x35	1
24	96044	Retaining ring	DIN 471	30	4
25	96427	Flange bolt		M8x12	2
26	50028077	Locking latch			1
27	96200	Hex nut	DIN 934	M12	1
28	95423	Draw spring			1

### 19 Splitting control kit 1 (50023487)



20 Splitting control kit 2 (50023487)



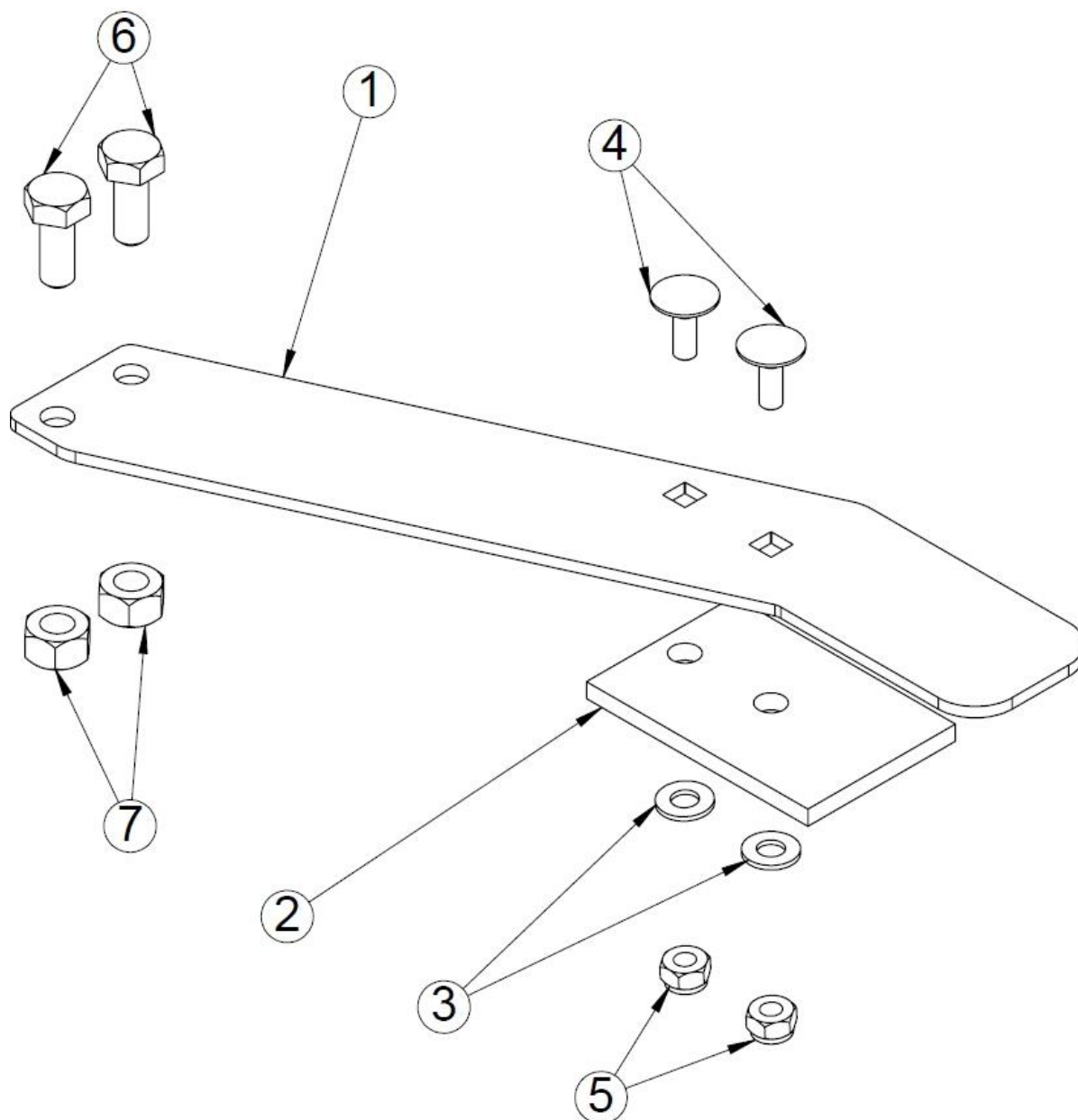
## 21 Parts list of the splitting control kit

No.	Part number	Name	Standard	Dimensions	Pcs
1	50029798	Splitting valve rack			1
2	50029696	Bracket			1
3	50029790	Fastening plate			1
4	50029690	Bracket			1
5	97843	Base plate (bigger)			1
6	97841	Splitting control valve			1
7	97882	Base plate (smaller)			2
8	97883	Saw valve			1
9	97591	Speed valve 1/2"			2
10	97881	Control valve			2
11	97894	Pressure relief valve			1
12	96448	Hex socket screw	DIN 912	M5x90	4
13	96450	Hex socket screw	DIN 912	M5x45	4
14	97892	Cartridge valve block 3/4"			1
15	97890	Cartridge valve			1
16	97886	Pressure regulator 3/4" pilot-controlled			1
17	97247	Directional corner nipple 1/2"			4
18	97217	Connecting nipple 3/4" uk x 1/2" sk			1
19	97214	USIT 3/4"			9
20	97206	Double nipple 3/8" x 3/4"			1
21	97205	Double nipple 1/2" x 3/4"			4
22	97212	USIT 3/8"			8
23	97617	Check valve 3/8" 10 bar			1
24	97203	Double nipple 3/8" x 1/2"			2
25	97390	Double nipple with side connection 1/2"			3
26	97378	Pressure measurement fitting 1/4"			1
27	97211	USIT 1/4"			2
28	97201	Double nipple 1/4" x 3/8"			2
29	97213	USIT 1/2"			12
30	97235	Adjustable L-connector 3/4"			5
31	97221	Connecting nipple 1/2" uk x 3/4" sk			5
32	97252	Check valve 1/2" 0.5 bar			3
33	97204	Double nipple 1/2" x 1/2"			4
34	97228	Adjustable L-connector 1/2"			2
35	97218	Connecting nipple 3/8" uk x 1/2" sk			1
36	97251	Check valve 3/8" 0.5 bar			1
37	97202	Double nipple 3/8" x 3/8"			5
38	97230	Adjustable T-connector 3/8"			1
39	97250	Directional corner nipple 3/8"			4
40	97207	Double nipple 3/4" x 3/4"			4
41	97216	Connecting nipple 1/2" uk x 1/2" sk			1
42	97260	Plug 3/8" uk			1
43	97225	Connecting nipple 3/4" uk x 3/4" sk			1
44	97242	Corner nipple 90° 3/4" uk x 3/4" sk			1
45	97056	Hydraulic hose L=330 x 3/4"			1



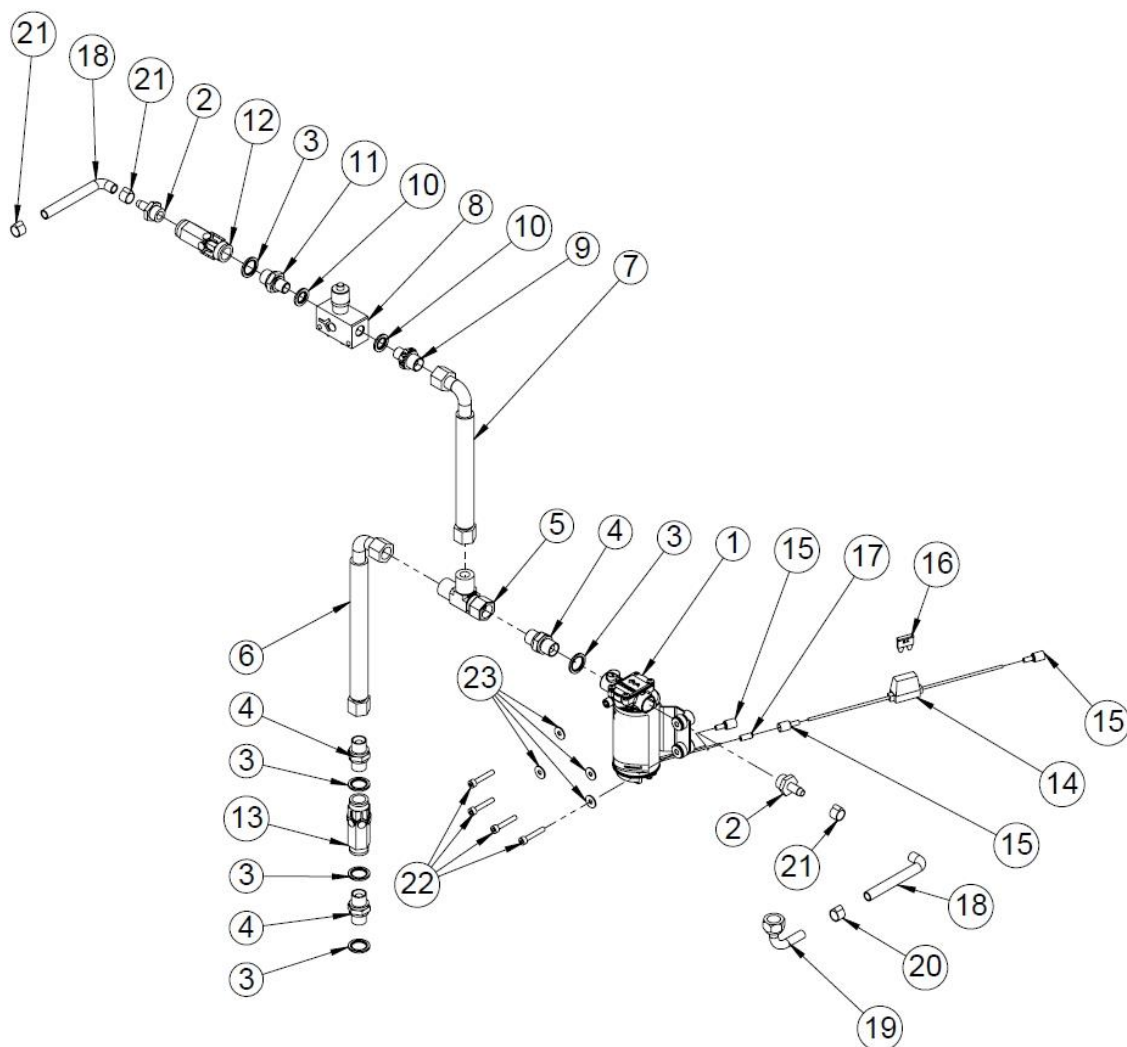
46	97028	Hydraulic hose L=360 x 3/8"			1
47	97075	Hydraulic hose L=400 x 1/2"			1
48	97108	Hydraulic hose L=650 x 1/2"			1
49	96387	Carriage bolt	DIN 603	M10x30	3
50	96049	Washer	DIN 125	A10	13
51	96068	Lock nut	DIN 985	M10	7
52	96290	Hex socket screw	DIN 912	M5x35	4
53	96055	Washer	DIN 125	A5	4
54	96215	Lock nut	DIN 985	M5	4
55	96139	Hex screw	DIN 933	M10x25	2
56	96445	Hex screw	DIN 931	M10x80	2
57	96124	Hex screw	DIN 931	M8x50	2
58	96061	Washer	DIN 125	A8	12
59	96222	Lock nut	DIN 985	M8	9
60	96308	Hex socket screw	DIN 912	M8x55	4
61	96127	Hex screw	DIN 931	M8x65	3
62	96451	Hex socket screw	DIN 912	M6x45	4

## 22 Splitting mechanism trigger



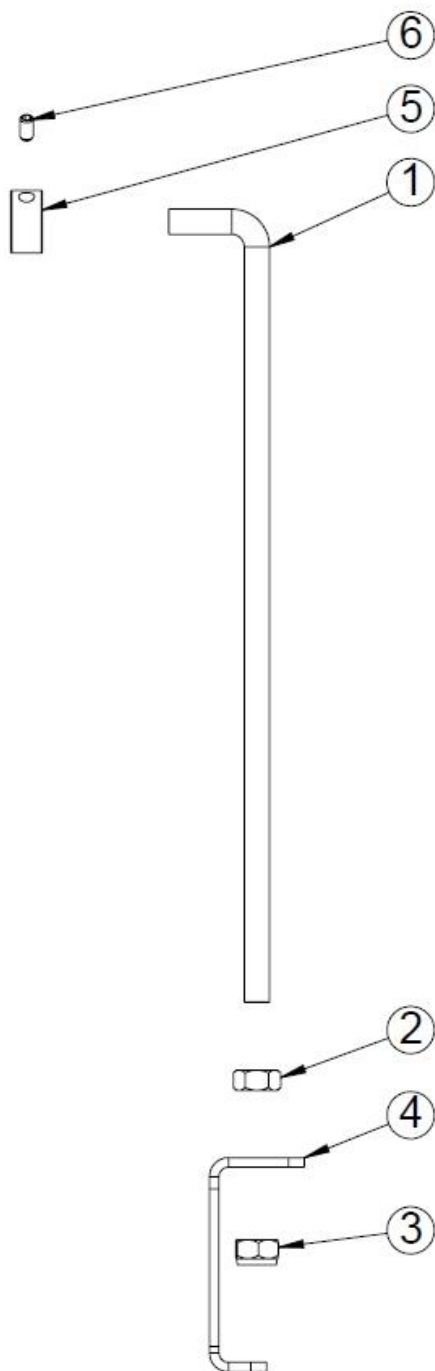
Part	Name	Part number	Standard	Dimensions	Pcs
7	Hex nut	96200	DIN 934	M12	2
6	Hex screw	96139	DIN 933	M10x25	2
5	Lock nut	96222	DIN 985	M8	2
4	Carriage bolt	96187	DIN 603	M8x20	2
3	Washer	96061	DIN 125	A8	2
2	Plastic plate	50029330		PL6 x	1
1	Trigger	50029329		PL4 x	1

## 23 Saw chain lubrication (50029960)



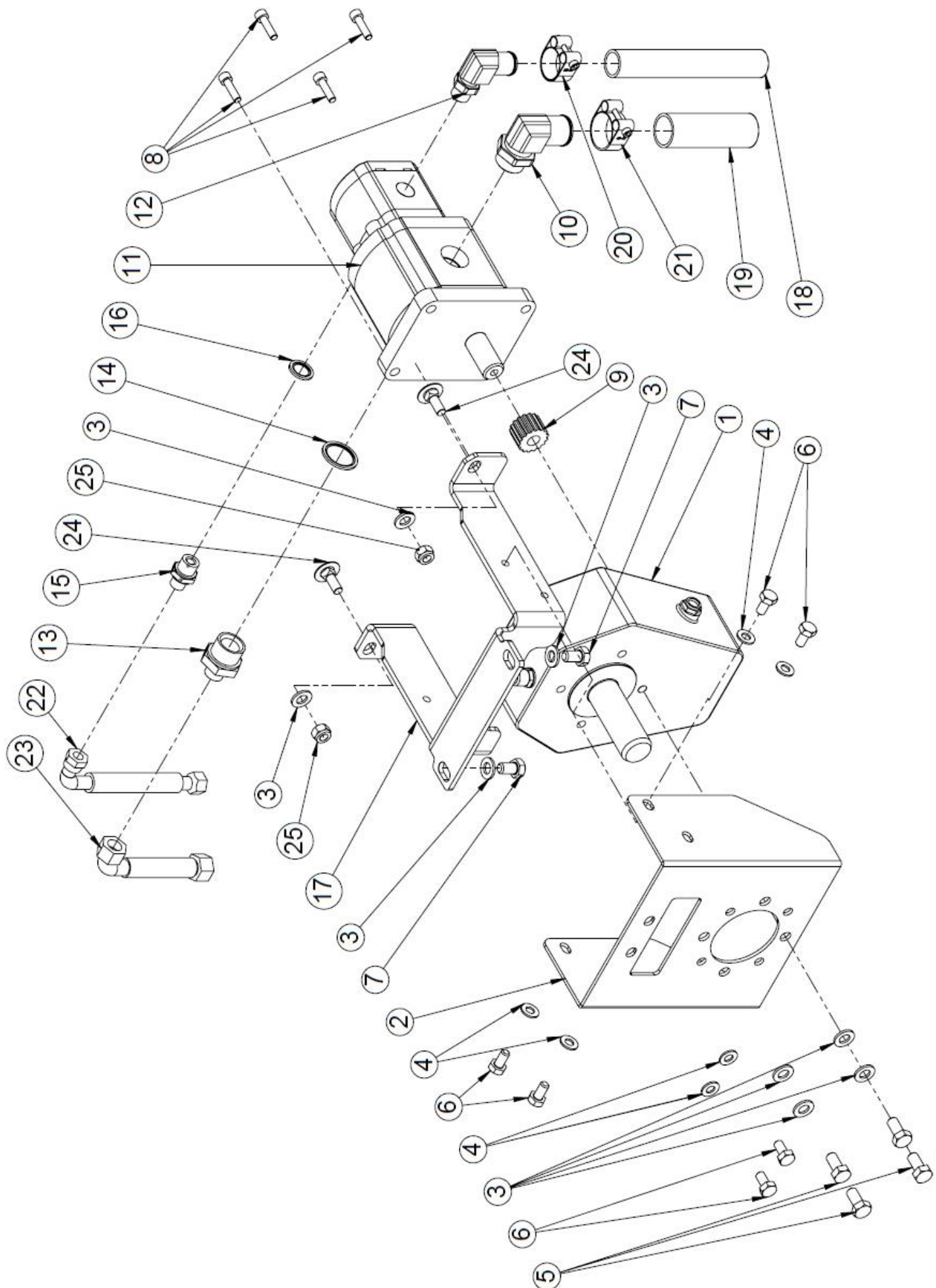
No.	Item	Part number	Dimensions	Pcs
1	Oil pump	97654		1
2	Shaft	97281	8 mm	2
3	USIT	97212	3/8"	5
4	Double nipple	97202	3/8" x 3/8"	3
5	Adjustable L connector	97234	3/8"	1
6	Hydraulic hose	97178	850 x 3/8"	1
7	Hydraulic hose	97023	300 x 3/8"	1
8	Needle valve SMS	97656	1/4"	1
9	Choke nipple	97590	3/8" x 1/4"	1
10	USIT	97211	1/4"	2
11	Double nipple	97201	1/4" x 3/8"	1
12	Check valve	97251	3/8" 0.5 bar	1
13	Check valve	97616	3/8" 2 bar	1
14	Fuse holder	50030084		1
15	Blade fuse 5 A	50040252		1
16	Wire connector, pin, male	50037815	M5 2.5 mm	1
17	Wire connector, round, blue	50036765		3
18	ToppFlex PUR hose 8/11	95606	600 mm and 700 mm	1+1
19	Hose spindle	97640	3/8" -9.5 mm	1
20	Hose tie 10	96175		1
21	Hose tie 10	96174		3
22	Hex socket screw	96030	M5	4

## 24 Guard safety mechanism (50029926)



Part	Name	Part number	Standard	Dimensions	Pcs
6	Socket set screw	96362	DIN 916	M6x8	1
5	Stopper	50009248		Ø L=	1
4	Sensor plate	50029995		PL3 x	1
3	Lock nut	96222	DIN 985	M8	1
2	Hex nut	96196	DIN 934	M8	1
1	Rod	50026014		Ø8 L=	1

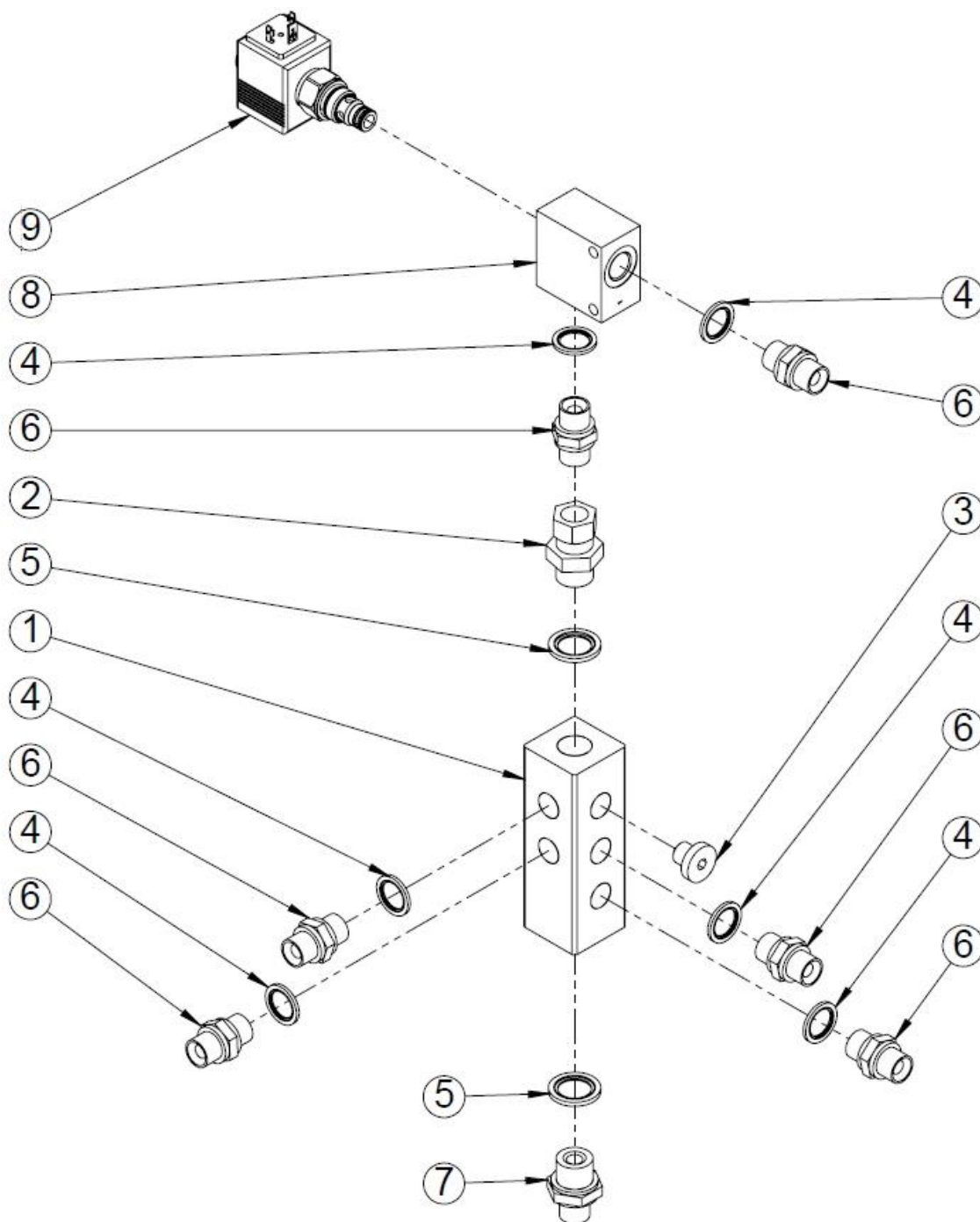
25 Power transmission, PTO model (50029904)



## 26 Parts list of the power transmission (PTO model)

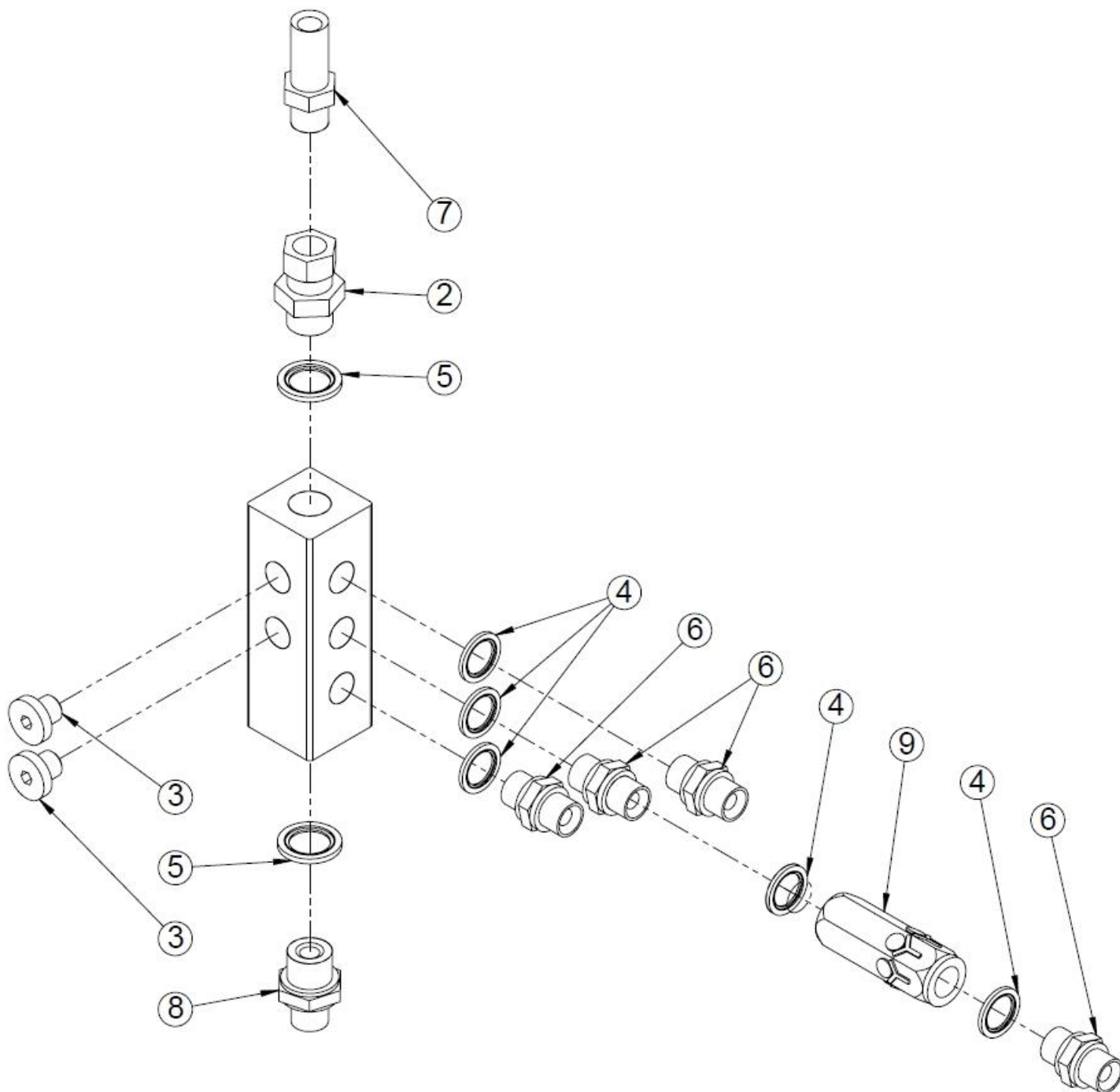
No.	Part number	Name	Standard	Dimensions	Pcs
1	95652	Speed increaser gearbox ML52			1
2	50010155	Gear mounting			1
3	96058	Washer	DIN 125	A12	8
4	96049	Washer	DIN 125	A10	6
5	96405	Hex screw	DIN 933	M12x25	4
6	96138	Hex screw	DIN 933	M10x20	6
7	96144	Hex screw	DIN 933	M12x20	2
8	96341	Hex socket screw	DIN 912	M8x30	4
9	95683	Boron bushing 3 series			1
10	97849	Suction connector 1"/32mm			1
11	97878	Hydraulic pump			1
12	97893	Suction connector 1/2"/25 mm			1
13	97584	Double nipple 1" uk x 1/2" uk			1
14	97215	USIT 1"			1
15	97203	Double nipple 3/8" x 1/2"			1
16	97213	USIT 1/2"			1
17	50020621	Gearbox plate fastener			1
18	97733	Suction hose Coroil 25x450mm			1
19	97734	Suction hose Coroil 32x420mm			1
20	97896	Steel hose clamp 40			1
21	97850	Steel hose clamp 40-32			1
22	97131	Hydraulic hose		3/8" L=1200	1
23	97119	Hydraulic hose		1/2" L=900	1
24	96188	Carriage bolt	DIN 603	M12x30	2
25	96218	Lock nut	DIN 985	M12	2

27 Manifold B (50029899)



Part	Name	Part number	Dimensions	Pcs
9	Cartridge valve	97887		1
8	Cartridge valve block 3	97888		1
7	Double nipple 3/8" x 1/2"	97203		1
6	Double nipple 3/8" x 3/8"	97202		6
5	USIT 1/2"	97213		2
4	USIT 3/8"	97212		6
3	Plug 3/8" uk	97260		1
2	Connecting nipple 1/2" uk x 3/8" sk	97220		1
1	Manifold	50027314		1

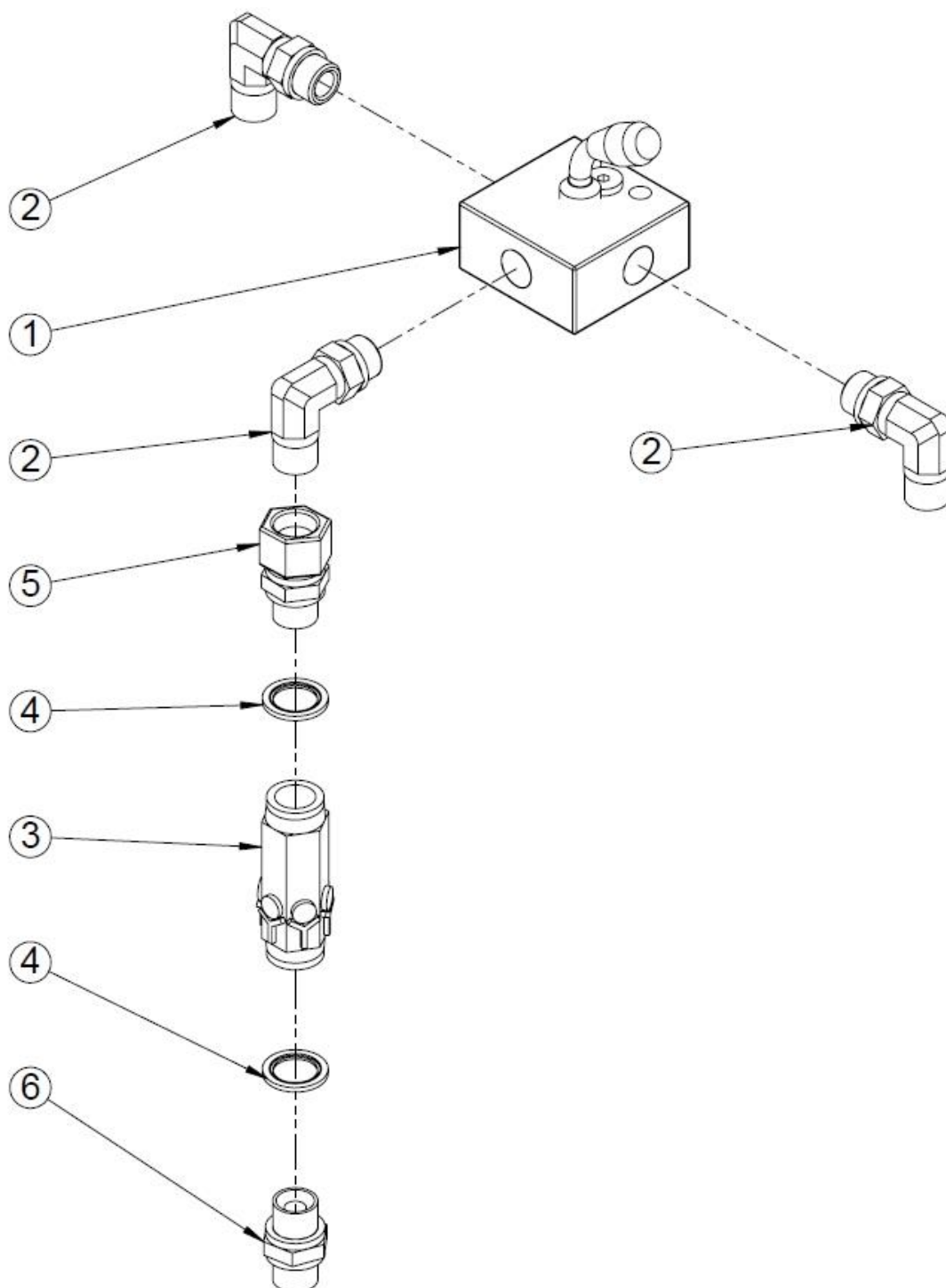
28 Manifold A (50029858)



Part	Name	Part number	Pcs
9	Check valve 3/8" 2 bar	97618	1
8	Double nipple 3/8" x 1/2"	97203	1
7	Bushing nipple 3/8" uk	97278	1
6	Double nipple 3/8" x 3/8"	97202	4
5	USIT 1/2"	97213	2
4	USIT 3/8"	97212	5
3	Plug 3/8" uk	97260	2
2	Connecting nipple 1/2" uk x 3/8" sk	97220	1
1	Manifold	50027314	1

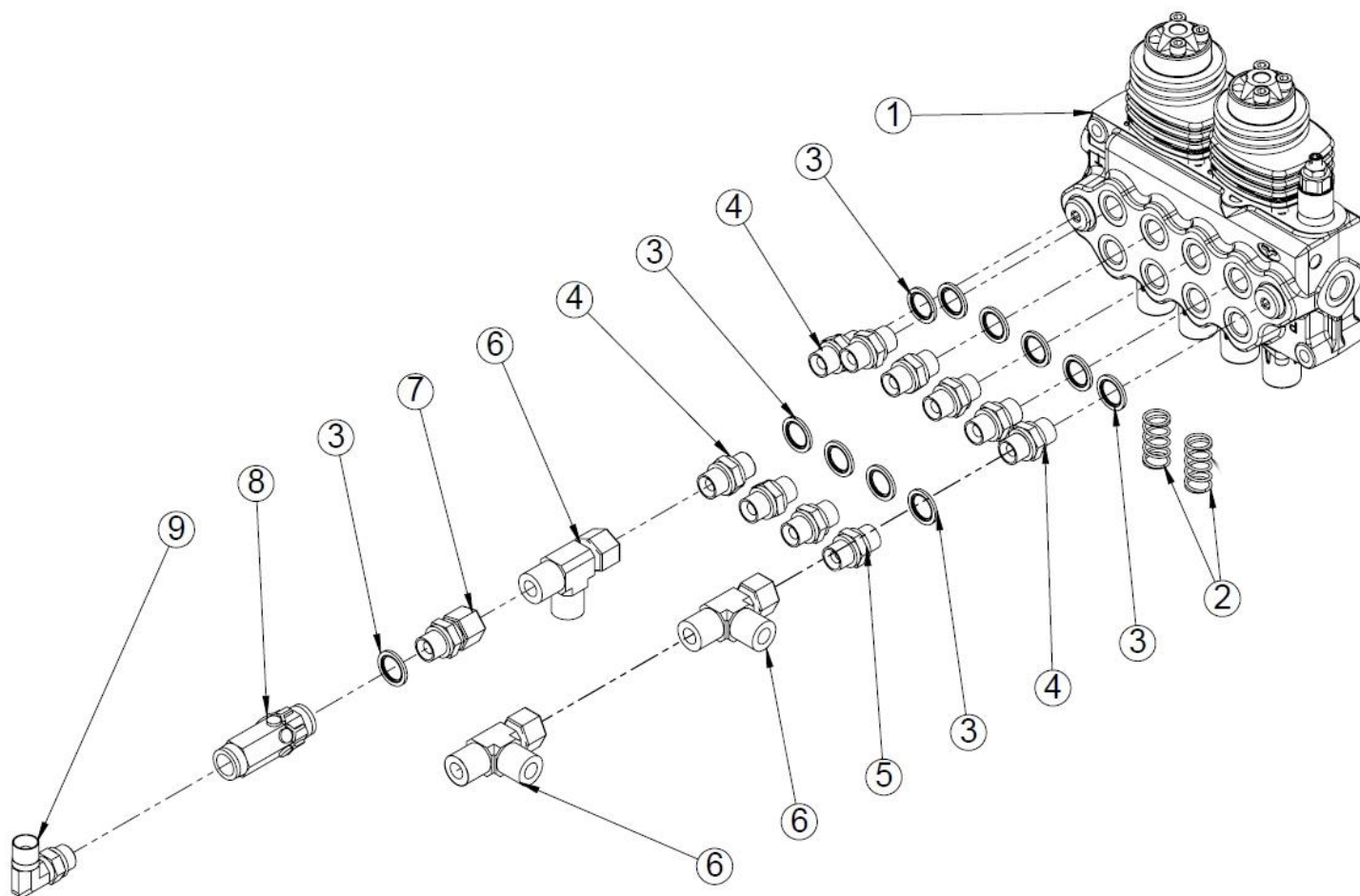


## 29 Saw chain tensioning tap (50029857)



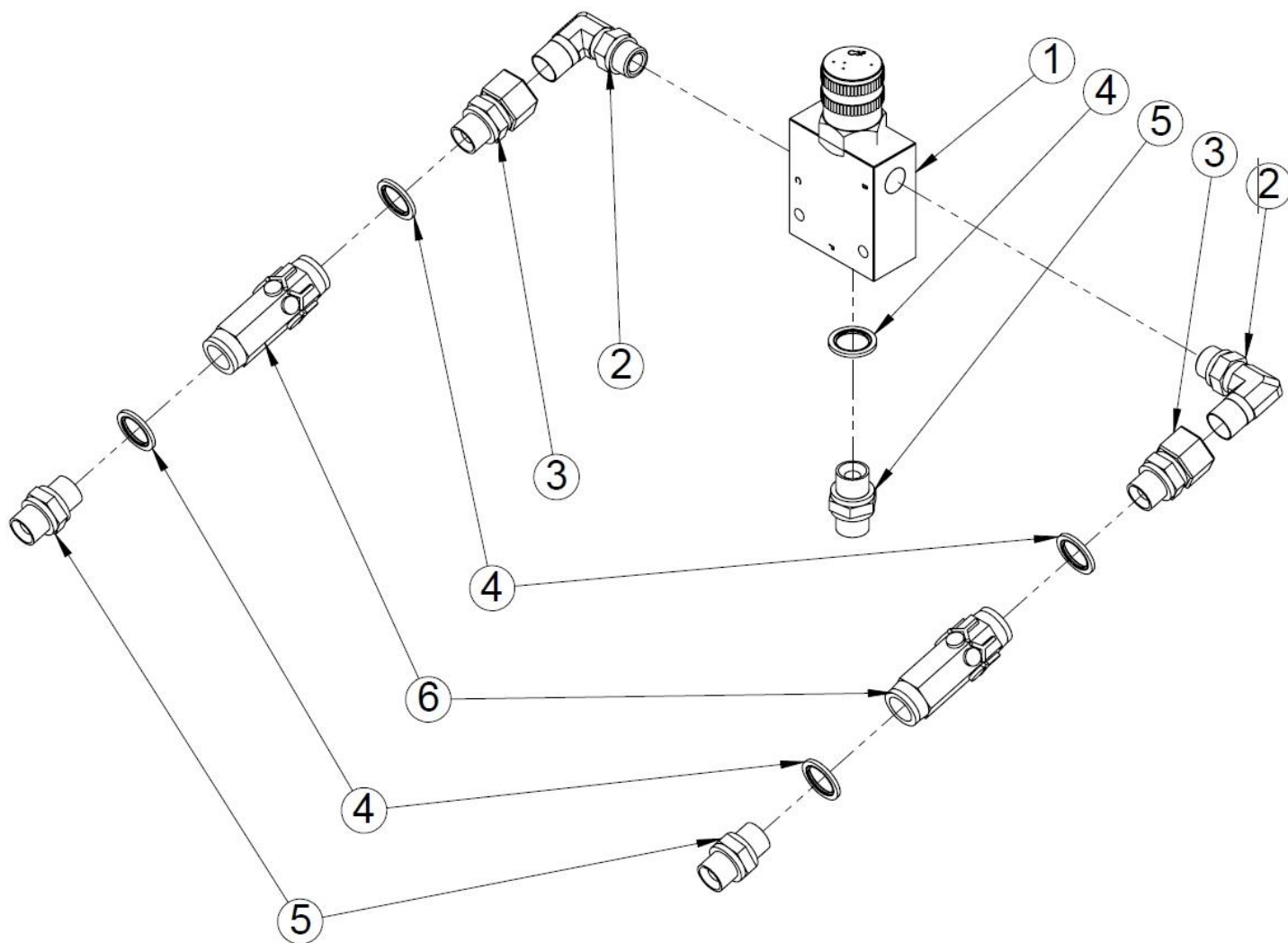
Part	Name	Part number	Pcs
6	Double nipple 3/8" x 3/8"	97202	1
5	Connecting nipple 3/8" uk x 3/8" sk	97219	1
4	USIT 3/8"	97212	2
3	Check valve 3/8" 0.5 bar	97251	1
2	Directional corner nipple 3/8"	97250	3
1	3-way valve 3.8	97533	1

## 30 4-block valve (50029849)



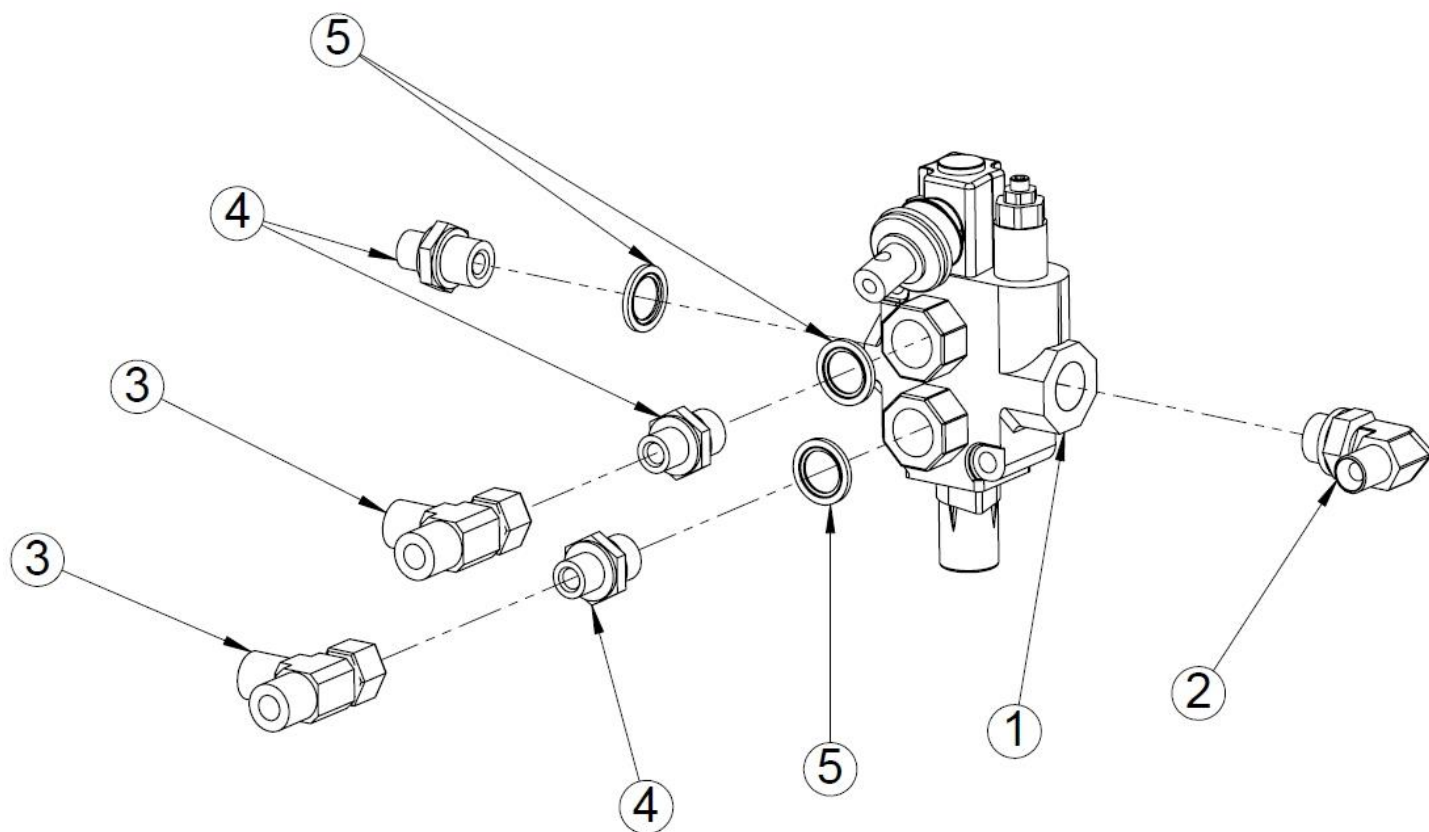
Part	Name	Part number	Dimensions	Pcs
9	Directional corner nipple 3/8"	97250		1
8	Check valve 3/8" 0.5 bar	97251		1
7	Connecting nipple 3/8" uk x 3/8" sk	97219		1
6	Adjustable L-connector 3/8"	97234		3
5	Choke nipple 3/8" uk x 3/8" uk 1 mm	97276		1
4	Double nipple 3/8" x 3/8"	97202		9
3	USIT 3/8"	97212		11
2	Pressure spring Ø1.6x 17.2 x33	95290		2
1	4-block valve	97408		1

## 31 In-feed length adjuster (5029848)



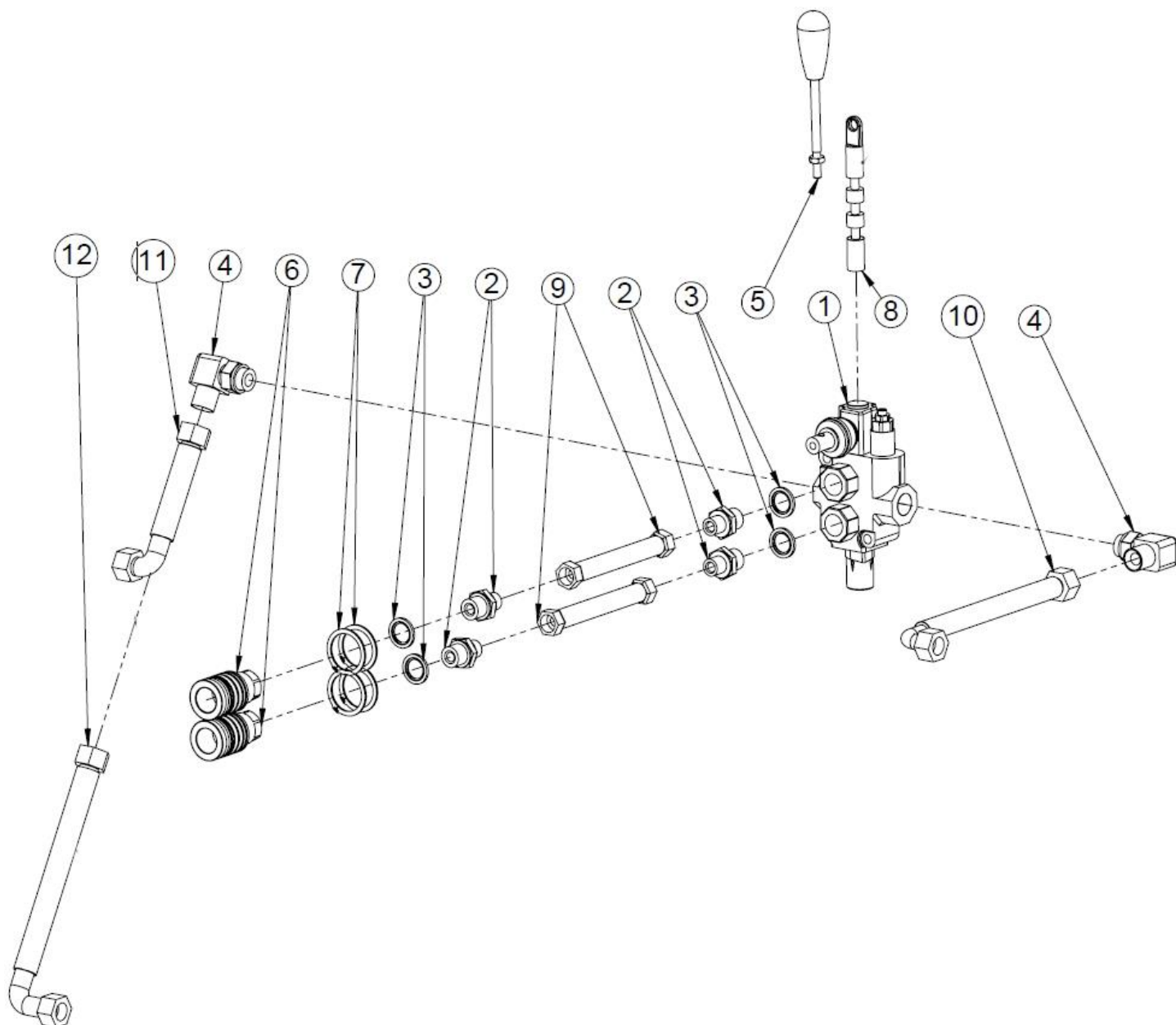
Part	Name	Part number	Dimensions	Pcs
6	Check valve 3/8" 0.5 bar	97251		2
5	Double nipple 3/8" x 3/8"	97202		3
4	USIT 3/8"	97212		5
3	Connecting nipple 3/8" uk x 3/8" sk	97219		2
2	Directional corner nipple 3/8"	97250		2
1	Adjuster	97524		1

## 32 Log guide plate control valve (50029847)



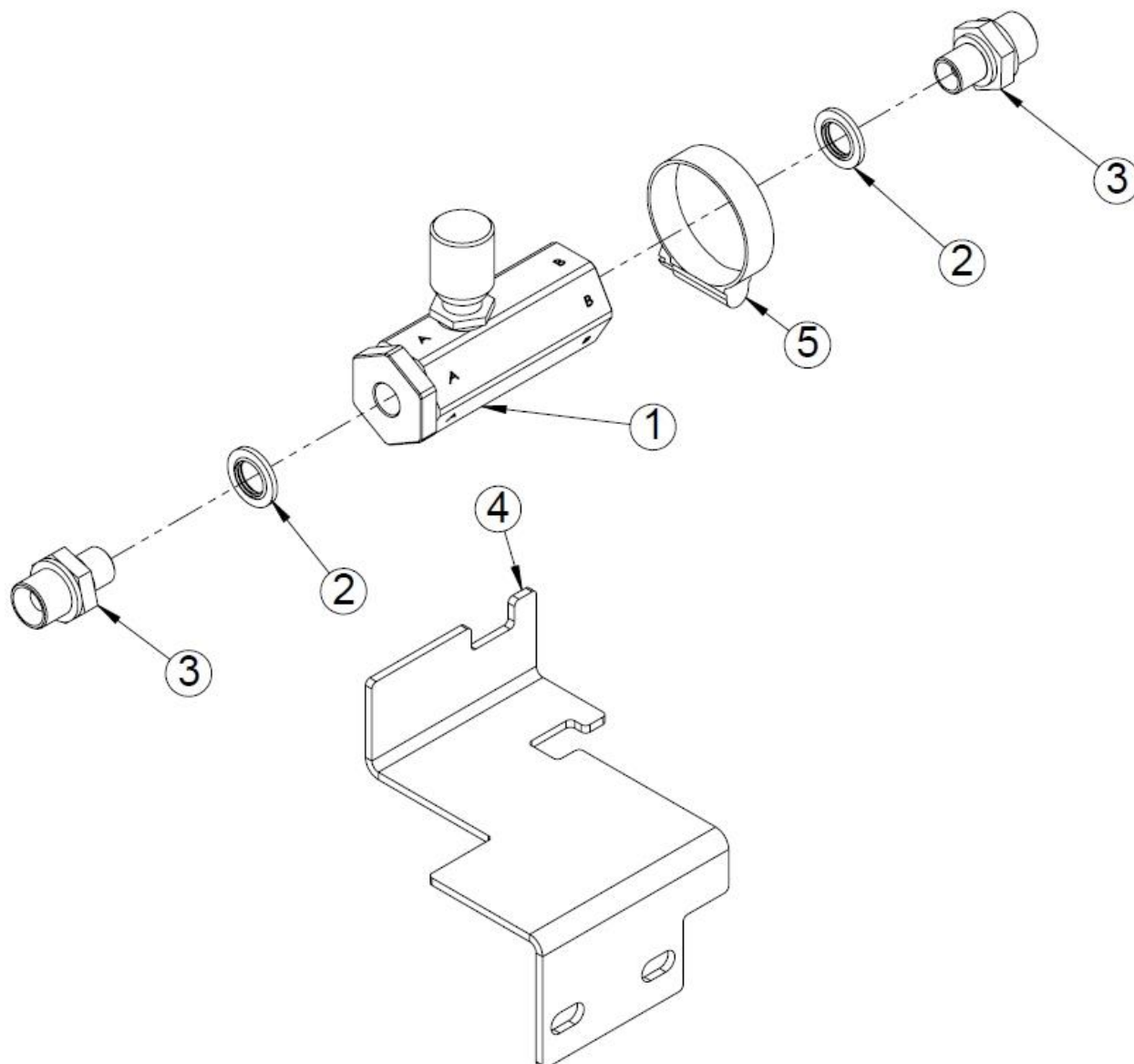
Part	Name	Part number	Material	Pcs
5	USIT 1/2"	97213		3
4	Double nipple 3/8" x 1/2"	97203	Hexagon bar AV22	3
3	Adjustable L-connector 3/8"	97234		2
2	Directional corner nipple 1/2" x 3/8" uk	97610	S 355	1
1	Valve	97884		1

## 33 Auxiliary device control valve (50029844)



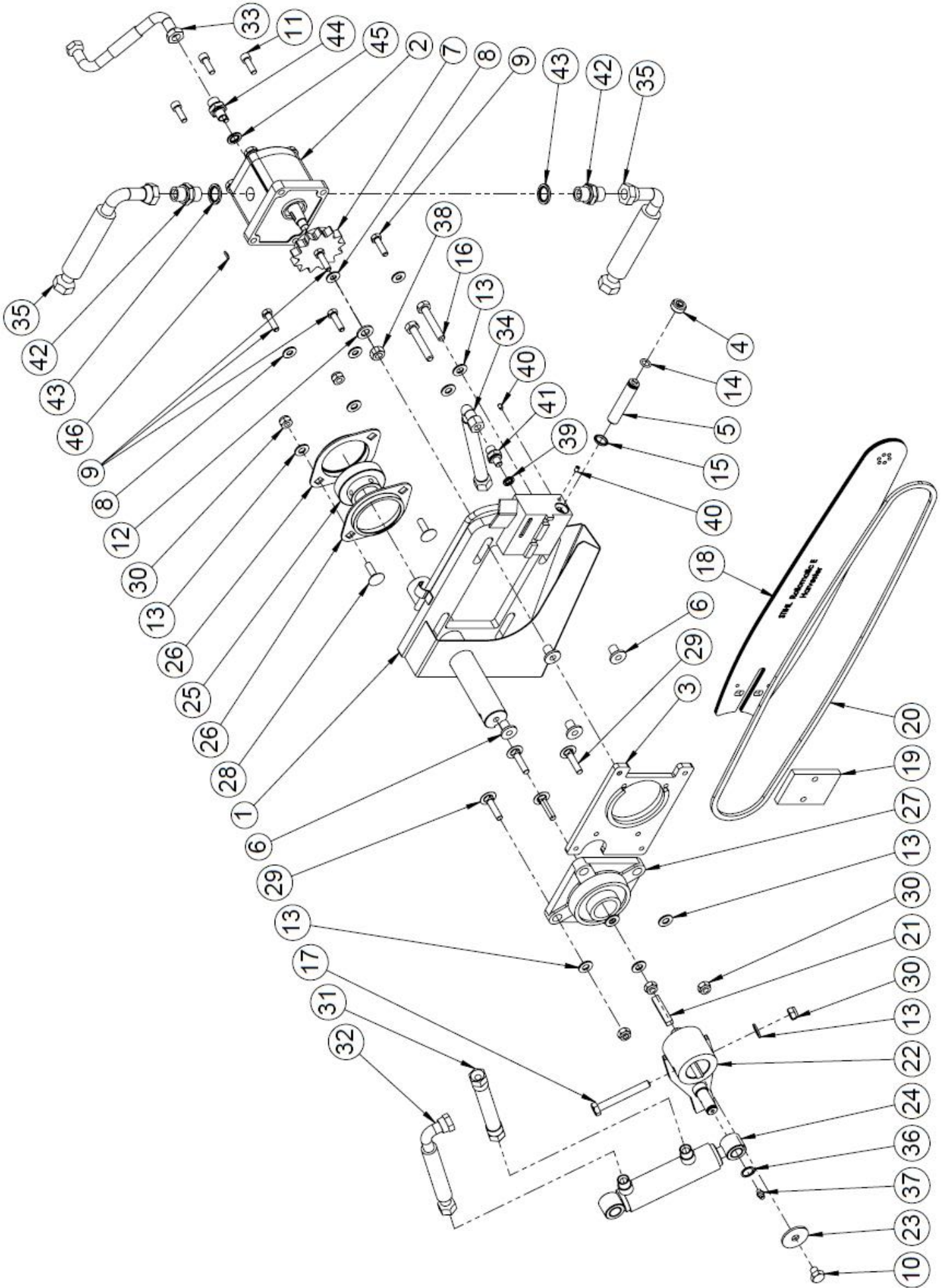
No.	Part number	Name	Standard	Dimensions	Pcs
1	97842	Hand valve			1
2	97203	Double nipple 3/8" x 1/2"			4
3	97213	USIT 1/2"			4
4	97247	Directional corner nipple 1/2"			2
5	97423	Lever		M8x120	1
6	97388	Quick coupler, female 1/2"			2
7	96371	Retaining ring	DIN 471	38	4
8	97619	Valve stem SD 4/2			1
9	97189	Hydraulic hose		3/8" L=1500	2
10	97059	Hydraulic hose		1/2" L=1700	1
11	97119	Hydraulic hose		1/2" L=900	1
12	97184	Hydraulic hose		1/2" L=2000	1

## 34 Check valve kit (50029553)



Part	Name	Part number	Material	Dimensions	Pcs
5	Hose clamp	96394	S 355		1
4	Valve fastening plate	50029552	HOT GALVANISED Plate	PL3 x	1
3	Double nipple 1/4" x 3/8"	97201	Hexagon bar 9S Mn 28K		2
2	USIT 1/4"	97211	Square bar s355JO		2
1	One-way restrictor valve R1/4"	97597	Hexagon bar 9S Mn 28K		1

35 Saw kit (50028446)

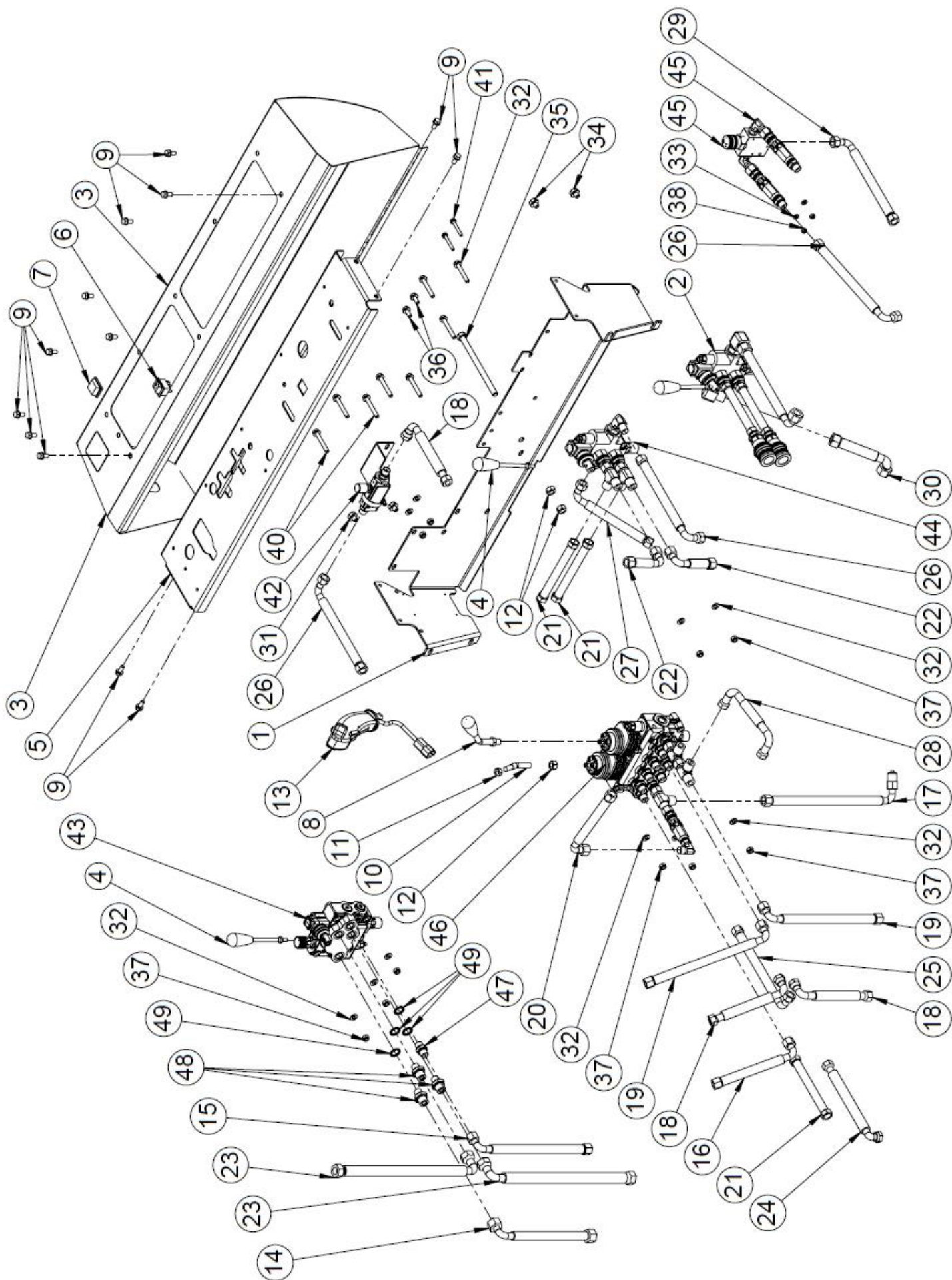


## 36 Parts list of the saw kit

Part	Name	Part number	Standard	Dimensions	Pcs
46	Wedge	97583			1
45	USIT 1/4"	97211			1
44	Double nipple 1/4" x 3/8"	97201			1
43	USIT 1/2"	97213			2
42	Double nipple 1/2" x 1/2"	97204			2
41	Double nipple 1/4" uk x 1/8" uk	97729			1
40	Socket set screw	96362	DIN 916	M6x8	2
39	USIT 1/8"	97730			1
38	Hex nut	96200	DIN 934	M12	1
37	Lubrication nipple M6x1	96273			1
36	Retaining ring	96038	DIN 471	16	1
35	Hydraulic hose 1200 x 1/2" straight/90	97131			2
34	Hydraulic hose 1400 1/4"x90x1/4"straight 3/8"	97144			1
33	Hydraulic hose 500 3/8" 90/90 18 0 degrees	97024			1
32	Hose 1200 x 3/8 straight/90	97131			1
31	400 x 3.8 straight - straight	97018			1
30	Lock nut	96068	DIN 985	M10	7
29	Carriage bolt	96314	DIN 603	M10x40	4
28	Carriage bolt	96387	DIN 603	M10x30	2
27	Bearing unit	95277		UCF207	1
26	Metal housing PFL 7 FK	50025848			2
25	Bearing SB207 (B7) FK	50025848			1
24	Hydraulic cylinder	10242			1
23	Washer	10492		Ø40xØ11 L=3	1
22	Cylinder mounting	50020346			1
21	Wedge	47837		10x8L=50	1
20	Saw chain Stihl 404 68vl 1.6mm	95698			1
19	Saw bar fastening plate	50028939		10x80 L=60	1
18	Saw bar 18" 404 1.6mm	95697			1
17	Hex screw	96445	DIN 931	M10x80	1
16	Hex screw (bar fastening)	96100	DIN 931	M10x60	2
15	Shaft seal 16 + OR	97717			1
14	O ring 12x2.5	97731			1
13	Washer	96049	DIN 125	A10	9
12	Washer	96058	DIN 125	A12	1
11	Hex socket screw	96035	DIN 912	M8x25	4
10	Hex screw	96137	DIN 933	M10x12	1
9	Hex screw	96165	DIN 933	M8x30	4
8	Plastic plate washer M8	96404			4
7	Chain drive wheel	50004550		Ø L=	1
6	Intermediate bushing	50027387		Øx L=	4
5	Cylinder rod	50025782		Ø16 L=	1
4	Plug 1/2" uk	97728			1
3	Sliding plate assembly	50027418			1
2	Gear motor 20.8, DH housing	97589			1
1	Drive end frame welding	50027417			1



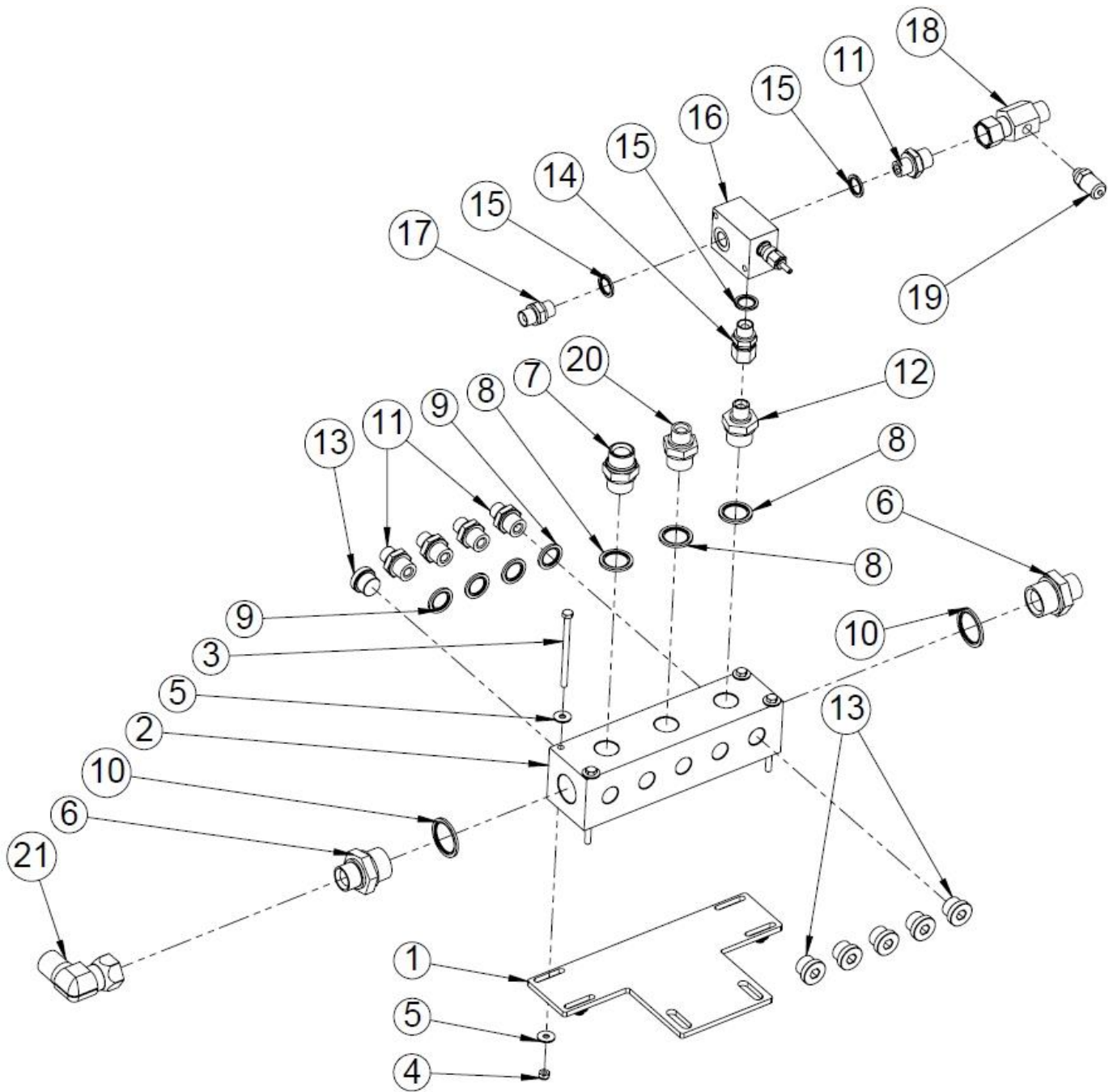
37 Valve mount (50028427)



## 38 Parts list of the valve mount

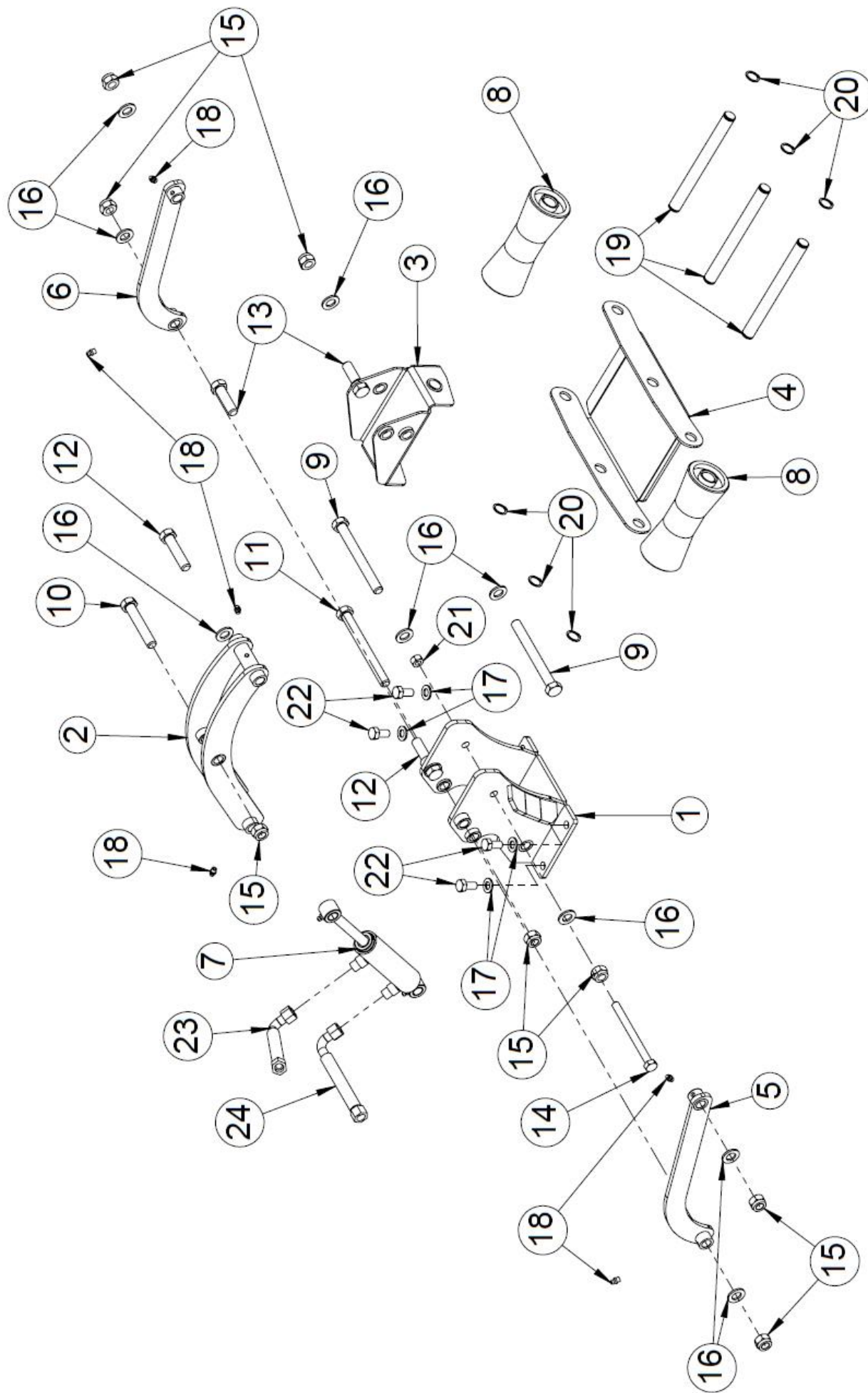
No.	Part number	Name	Standard	Dimensions	Pcs
1	50028426	Valve mount			1
2	50029844	Accessory valve			1
3	50022661	Valve cover			1
4	97423	Lever		M8x120	2
5	50028425	Valve mount cover			1
6	95705	Rocker switch			1
7	95706	Rocker switch splash guard			1
8	10753	Valve operating lever			1
9	96172	Flange bolt		M8x16	13
10	50029950	Fastener			1
11	96199	Hex nut	DIN 934	M10	1
12	96200	Hex nut	DIN 934	M12	3
13	97897	Control handle			1
14	97059	Hydraulic hose		1/2" L=1700	1
15	97045	Hydraulic hose		3/8" L=1600	1
16	97008	Hydraulic hose		3/8" L=700	1
17	97077	Hydraulic hose		3/8" L=3000	1
18	97131	Hydraulic hose		3/8" L=1200	3
19	97181	Hydraulic hose		3/8" L=2500	2
20	97023	Hydraulic hose		3/8" L=300	1
21	97040	Hydraulic hose		3/8" L=1800	3
22	97180	Hydraulic hose		3/8" L=500	2
23	97192	Hydraulic hose		1/2" L=3300	2
24	97089	Hydraulic hose		3/8" L=1800	1
25	97034	Hydraulic hose		3/8" L=2000	1
26	97025	Hydraulic hose		3/8" L=1000	3
27	97044	Hydraulic hose		3/8" L=450	1
28	97088	Hydraulic hose		3/8" L=1400	1
29	97035	Hydraulic hose		3/8" L=1400	1
30	97119	Hydraulic hose		1/2" L=3300	1
31	96049	Washer	DIN 125	A10	4
32	96061	Washer	DIN 125	A8	24
33	96060	Washer	DIN 125	A6	4
34	96137	Hex screw	DIN 933	M10x12	4
35	96346	Hex screw	DIN 933	M12x180	1
36	96161	Hex screw	DIN 933	M8x20	2
37	96222	Lock nut	DIN 985	M8	12
38	96221	Lock nut	DIN 985	M6	2
39	96125	Hex screw	DIN 931	M8x55	4
40	96126	Hex screw	DIN 931	M8x60	6
41	96336	Hex screw	DIN 931	M6x45	2
42	50029553	Check valve kit			1
43	97879	Out-feed conveyor valve			1
44	50029847	Guide plate valve			1
45	50029848	In-feed adjuster			1
46	50029849	4-spool valve			1
47	97202	Double nipple 3/8" x 3/8"			1
48	97203	Double nipple 3/8" x 1/2"			3
49	97212	USIT 3/8"			4

39 Return side manifold (50028185)



Part	Name	Part number	Standard	Dimensions	Pcs
21	Corner nipple 90° 3/4" uk x 3/4" sk	97242			1
20	Double nipple 1/2" x 3/4"	97205			1
19	Pressure measurement fitting 1/4"	97378			1
18	Connecting nipple 1/2" uk x 1/2" sk side connector 1/4"	97390			1
17	Double nipple 3/8" x 3/8"	97202			1
16	Relief valve	97411			1
15	USIT 3/8"	97212			3
14	Connecting nipple 3/8" uk x 3/8" sk	97219			1
13	Plug 1/2" uk	97261			6
12	Double nipple 3/8" x 3/4"	97206			1
11	Double nipple 3/8" x 1/2"	97203			5
10	USIT 1"	97215			2
9	USIT 1/2"	97213			4
8	USIT 3/4"	97214			3
7	Double nipple 3/4" x 3/4"	97207		Ø L=	1
6	Double nipple 3/4" x 1"	97208			2
5	Washer	96084	DIN 9021	M6	8
4	Lock nut	96221	DIN 985	M6	4
3	Hex screw	96442	DIN 931	M6x90	4
2	Manifold	50028183			1
1	Manifold fastening plate	50029787		PL6 x	1

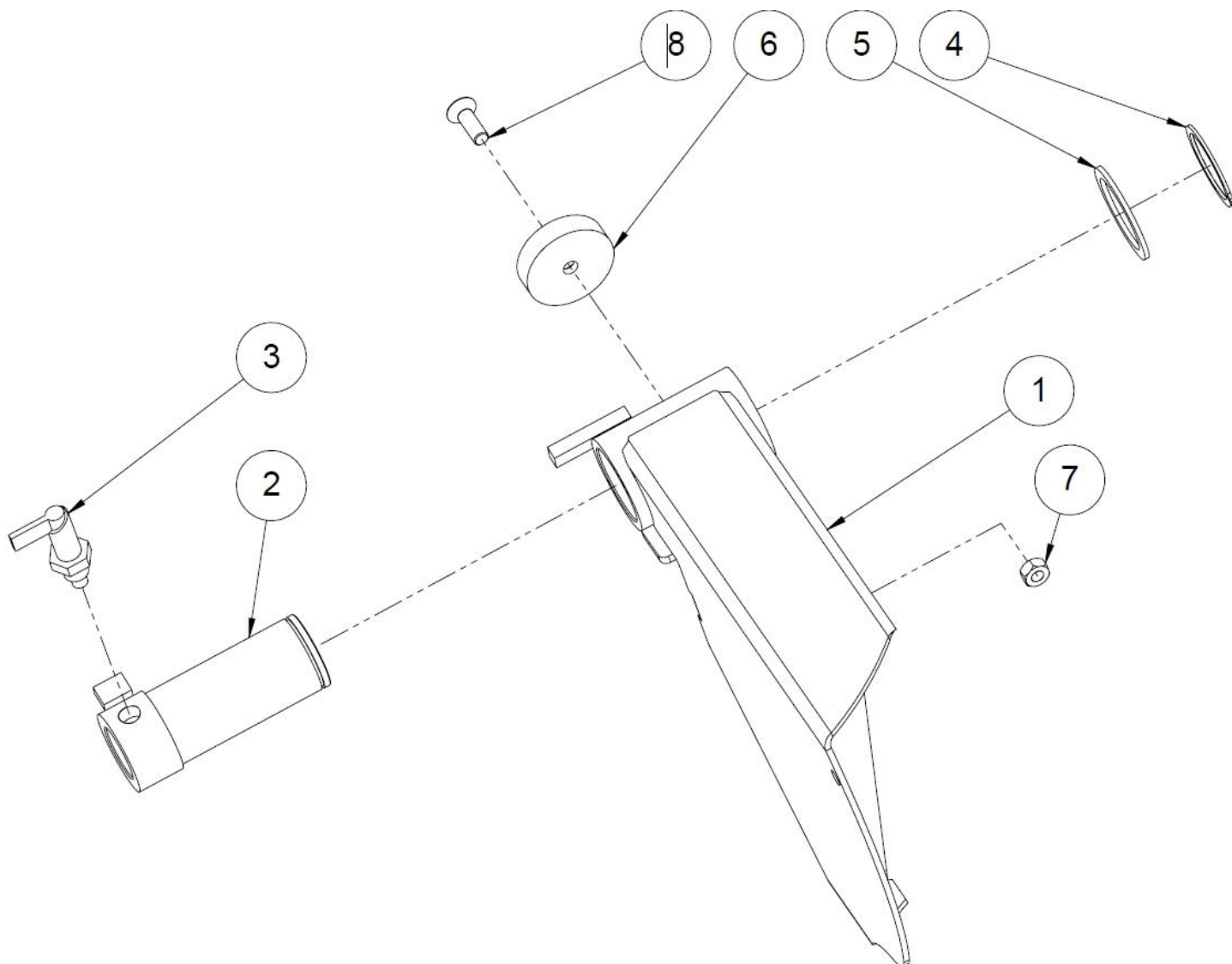
40 Log press (50027761)



## 41 Parts list of the log press

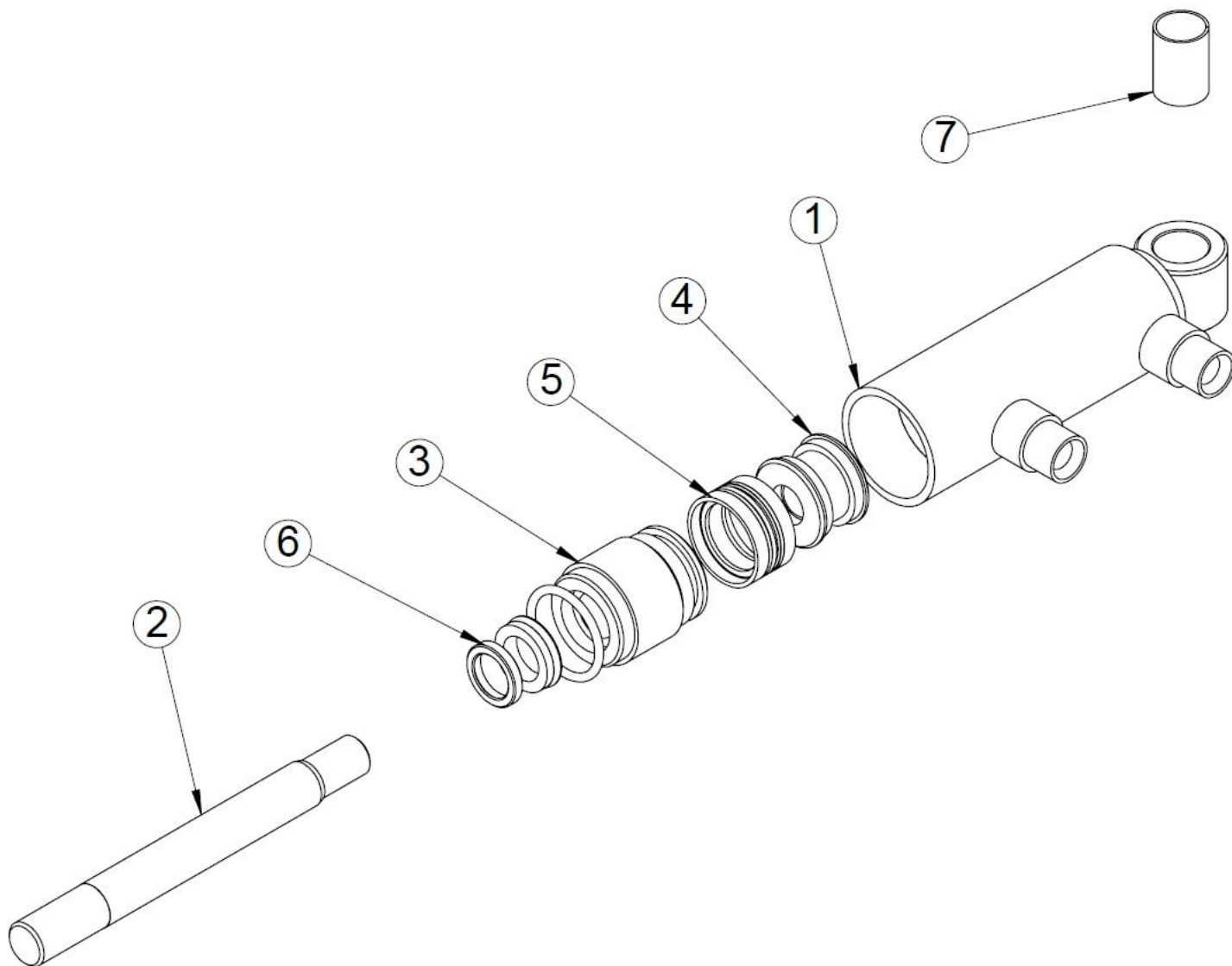
No.	Part number	Name	Standard	Dimensions	Pcs
1	50027840	Mounting base			1
2	50027881	Hoist			1
3	50027874	Joint			1
4	50007756	Press plate			1
5	50027934	Stabiliser left			1
6	50027935	Stabiliser right			1
7	47381	Cylinder			1
8	95001	Keel roller			2
9	96434	Hex screw	DIN 931	M16x150	2
10	96118	Hex screw	DIN 931	M16x90	1
11	96114	Hex screw	DIN 931	M16x160	1
12	96443	Hex screw	DIN 931	M16x70	2
13	96117	Hex screw	DIN 931	M16x55	2
14	96104	Hex screw	DIN 931	M12x140	1
15	96219	Lock nut	DIN 985	M16	8
16	96059	Washer	DIN 125	A16	10
17	96058	Washer	DIN 125	A12	4
18	96276	Lubrication nipple M8X1			6
19	50029234	Pin			3
20	96040	Retaining ring	DIN 471	20	6
21	96200	Hex nut	DIN 934	M12	1
22	96405	Hex screw	DIN 933	M12x25	4
23	97185	Hydraulic hose		3/8" L=550	1
24	97186	Hydraulic hose		3/8" L=230	1

## 42 Log measuring device limiter plate (50027757)



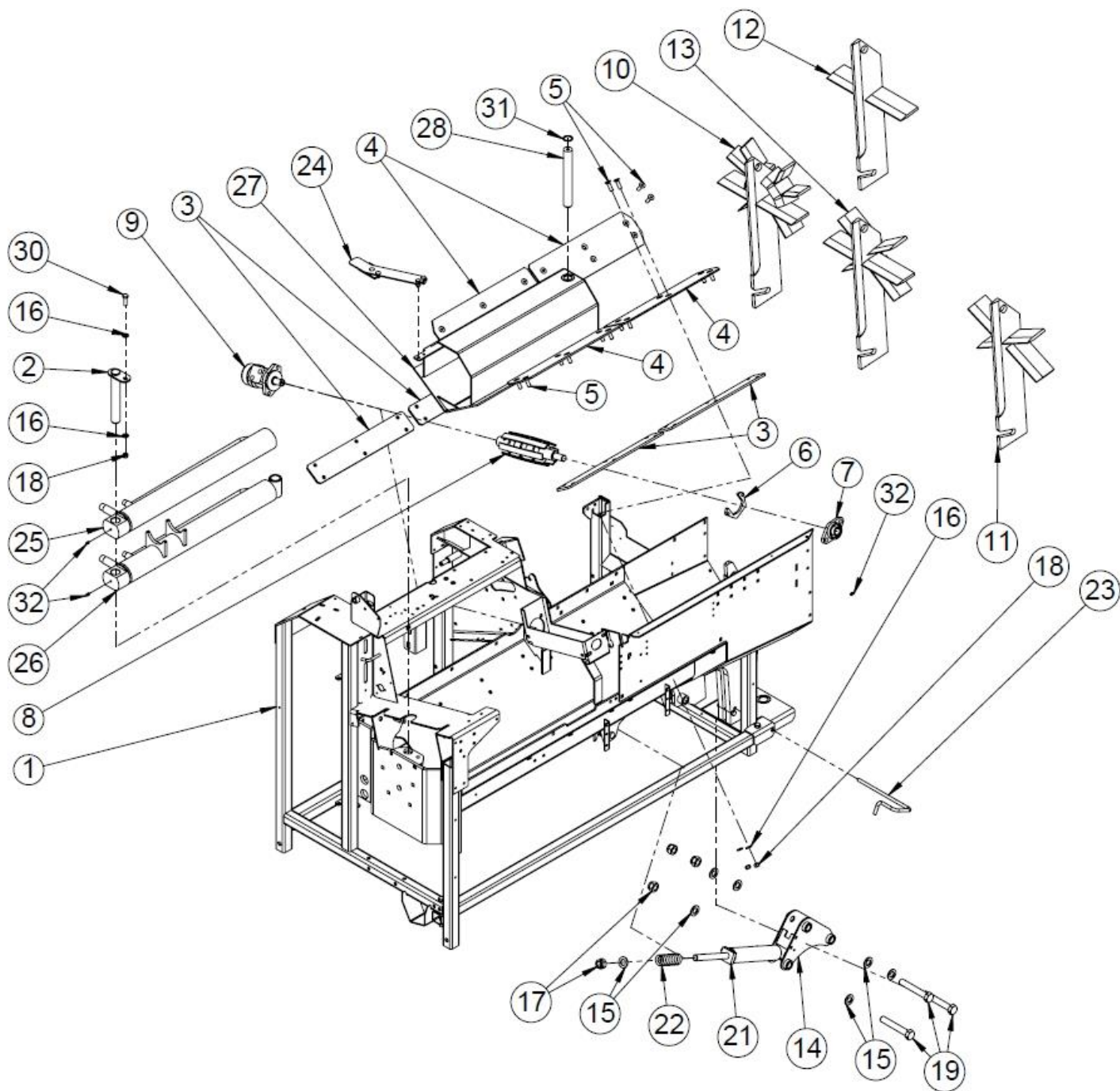
No.	Part number	Name	Standard	Dimensions	Pcs
1	50027740	Measuring device limiter			1
2	50028000	Limiter sleeve			1
3	95702	Locking screw			1
4	96046	Retaining ring	DIN 471	50	1
5	50027755	Washer			1
6	50025658	Sliding piece			1
7	96199	Hex nut	DIN 934	M10	1
8	96008	Hex socket screw	DIN 7991	M10x30	1

## 43 Log measuring device cylinder (50027088)



No.	Part number	Name	Dimensions	Pcs
1	50025509	Cylinder pipe		1
2	50027089	Cylinder rod		1
3	10269	Cylinder rod guide		1
4	10270	Cylinder piston		1
5	97293	Seal kit	32/16	1
6	97293	Seal kit	32/16	1
7	95064	Slide bearing	18x16x25	1

44 Frame

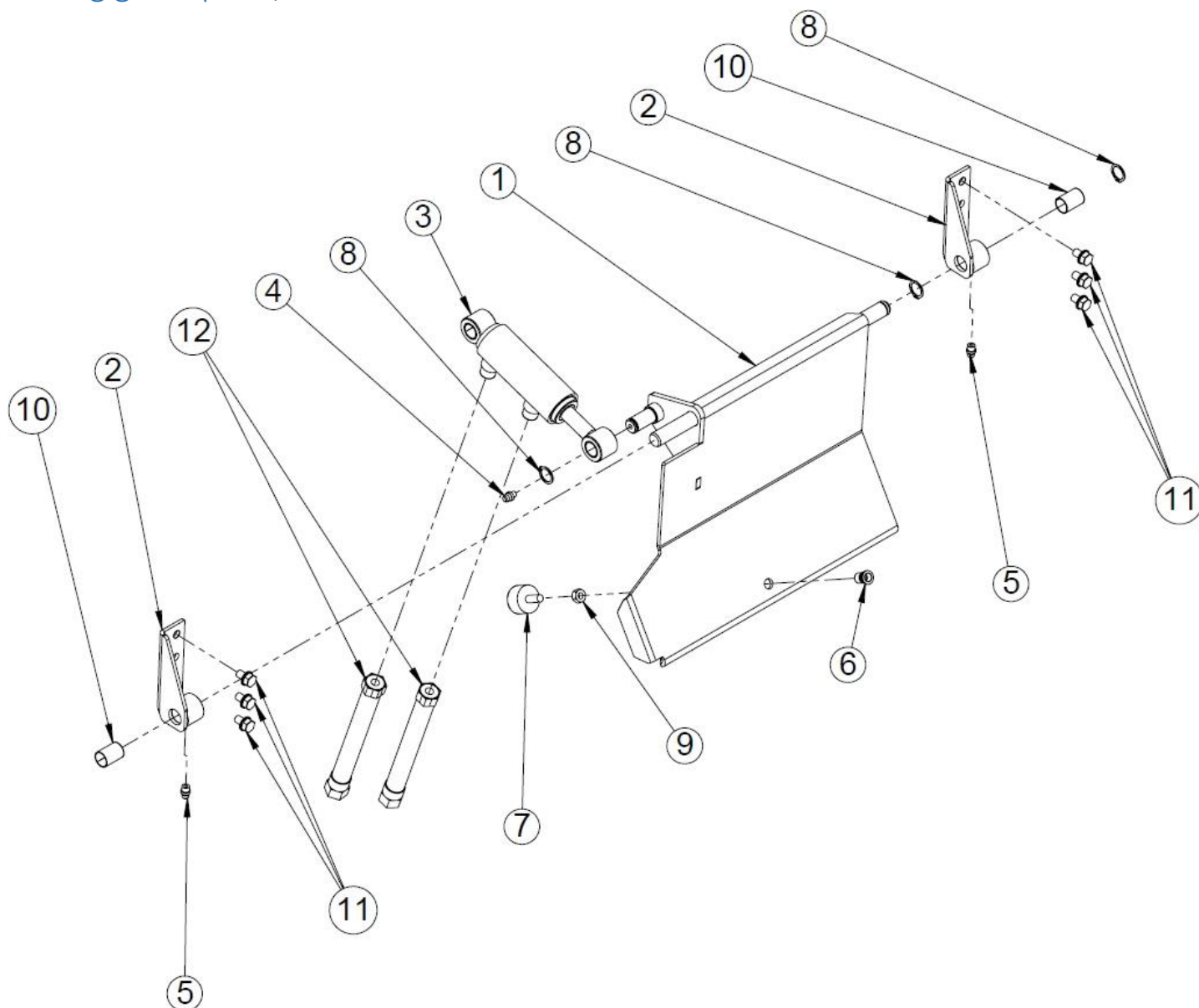




## 45 Parts list of the frame

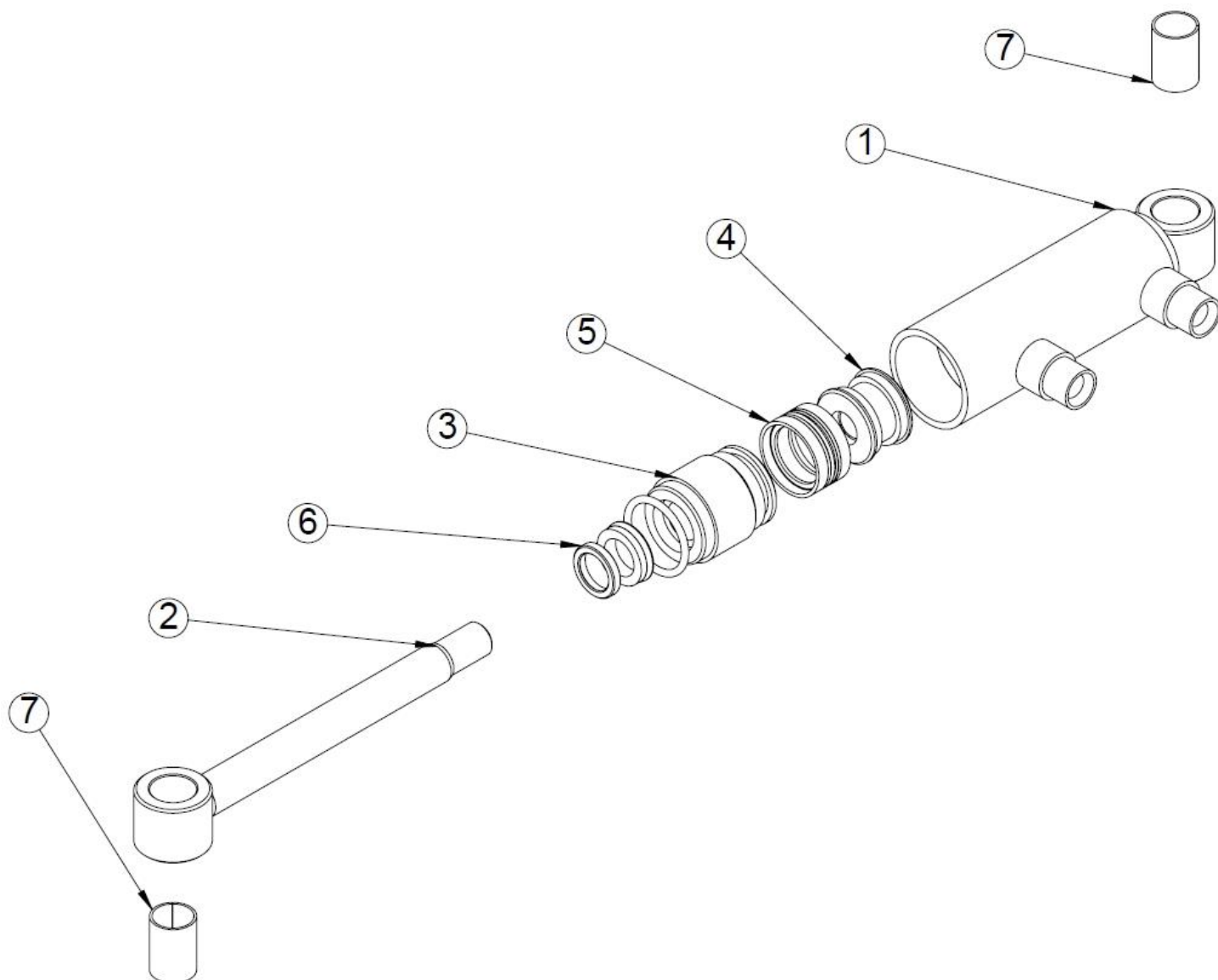
Part	Name	Part number	Standard	Dimensions	Pcs
32	Lubrication nipple M8X1	96276			3
31	Retaining ring	96240	DIN 472	35	1
30	Hex screw	96148	DIN 933	M12x40	1
29	Washer	96340	DIN 9021	M12	4
28	Cylinder pin	50029323		Ø35	1
27	Slide	50028928			1
26	High-pressure cylinder	50028448			1
25	High-pressure cylinder	50028450			1
24	Splitting mechanism trigger	50030276			1
23	Locking pin	50027457		Ø12	1
22	Pressure spring Ø26-9-120	95026			1
21	Splitting blade adjustment cylinder	60915			1
20	Hex screw	96376	DIN 931	M12x80	1
19	Hex screw	96343	DIN 931	M24x150	3
18	Lock nut	96218	DIN 985	M12	26
17	Lock nut	96214	DIN 985	M24	4
16	Washer	96058	DIN 125	A12	22
15	Washer	96054	DIN 125	A24	7
14	Splitting blade adjuster	50020578			1
13	8-way splitting blade	61207			1
12	4-way splitting blade	61205			1
11	6-way splitting blade	61104			1
10	12-way splitting blade	61212			1
9	Hydraulic motor EPM 200	97308			1
8	In-feed conveyor drive roller	50021265			1
7	Collar step bearing unit	95057	SKF	UCFL 205	1
6	Bearing fastening plate	47159b		PL10	2
5	Hex socket screw	96435	DIN 7991	96435_M12x40	24
4	Gate	50026564		PL6 x	4
3	Baffle plate	50026563		PL8 x	4
2	Cylinder pin	50026228			1
1	Frame	50028864			1

## 46 Log guide plate, back



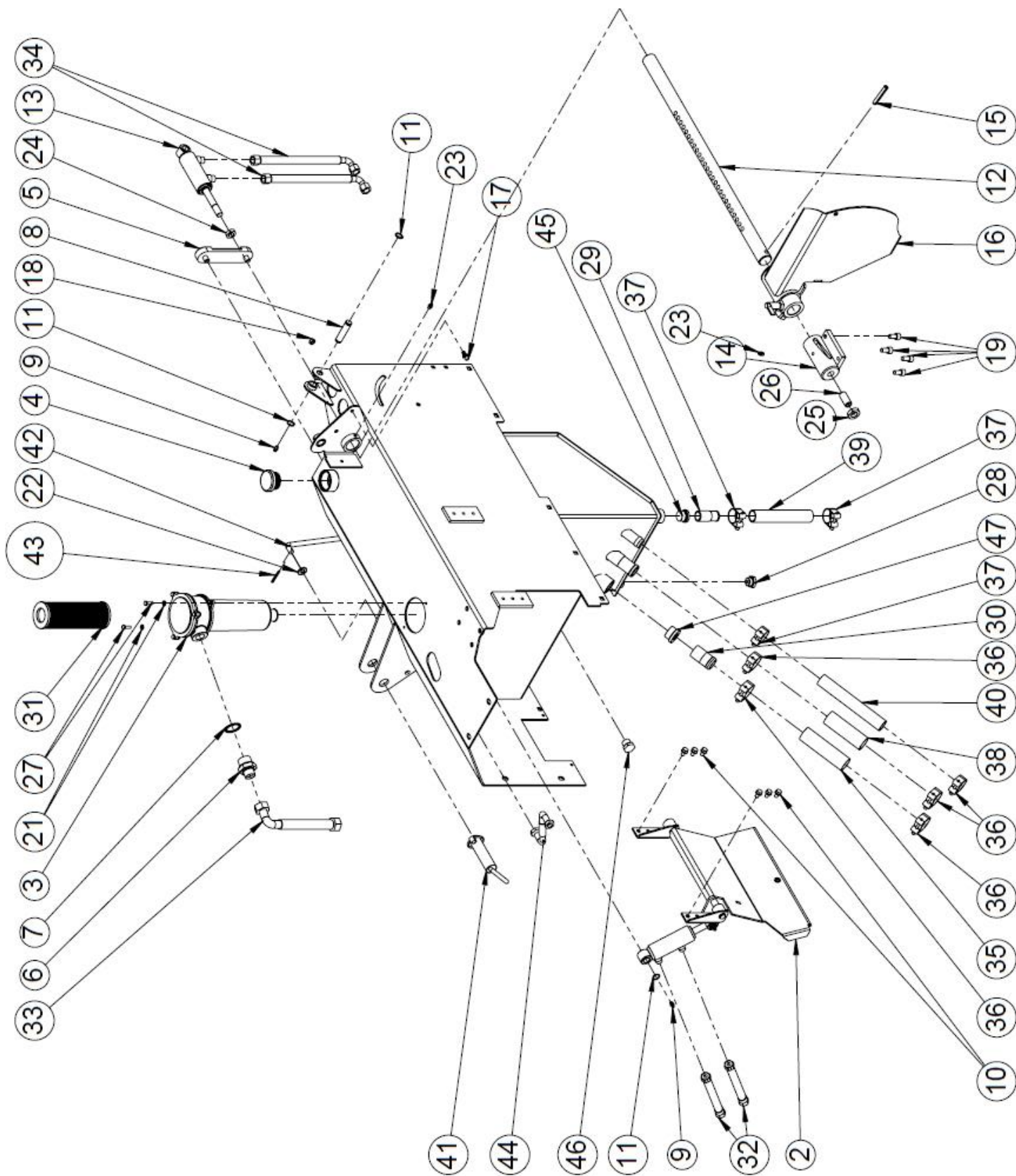
No.	Part number	Name	Dimensions	Pcs
1	50024610	Guide plate, back		1
2	50024916	Fastening lug		2
3	50025511	Cylinder		1
4	96273	Lubrication nipple	M6x1	1
5	96276	Lubrication nipple	M8x1	2
6	96382	Rivet nut	M8	1
7	95701	Rubber pad	M8	1
8	96038	Retaining ring	16	3
9	96196	Hex nut	M8	1
10	95064	Slide bearing	18x16x25	2
11	96427	Flange bolt	M8x12	6
12	97040	Hydraulic hose	3/8" L=1800	2

## 47 Guide plate cylinder (50025511)



No.	Part number	Name	Dimensions	Pcs
1	50025509	Cylinder pipe		1
2	47732	Cylinder rod		1
3	10269	Cylinder rod guide		1
4	10270	Cylinder piston		1
5	97293	Seal kit	32/16	1
6	97293	Seal kit		1
7	95064	Slide bearing	18x16x25	2

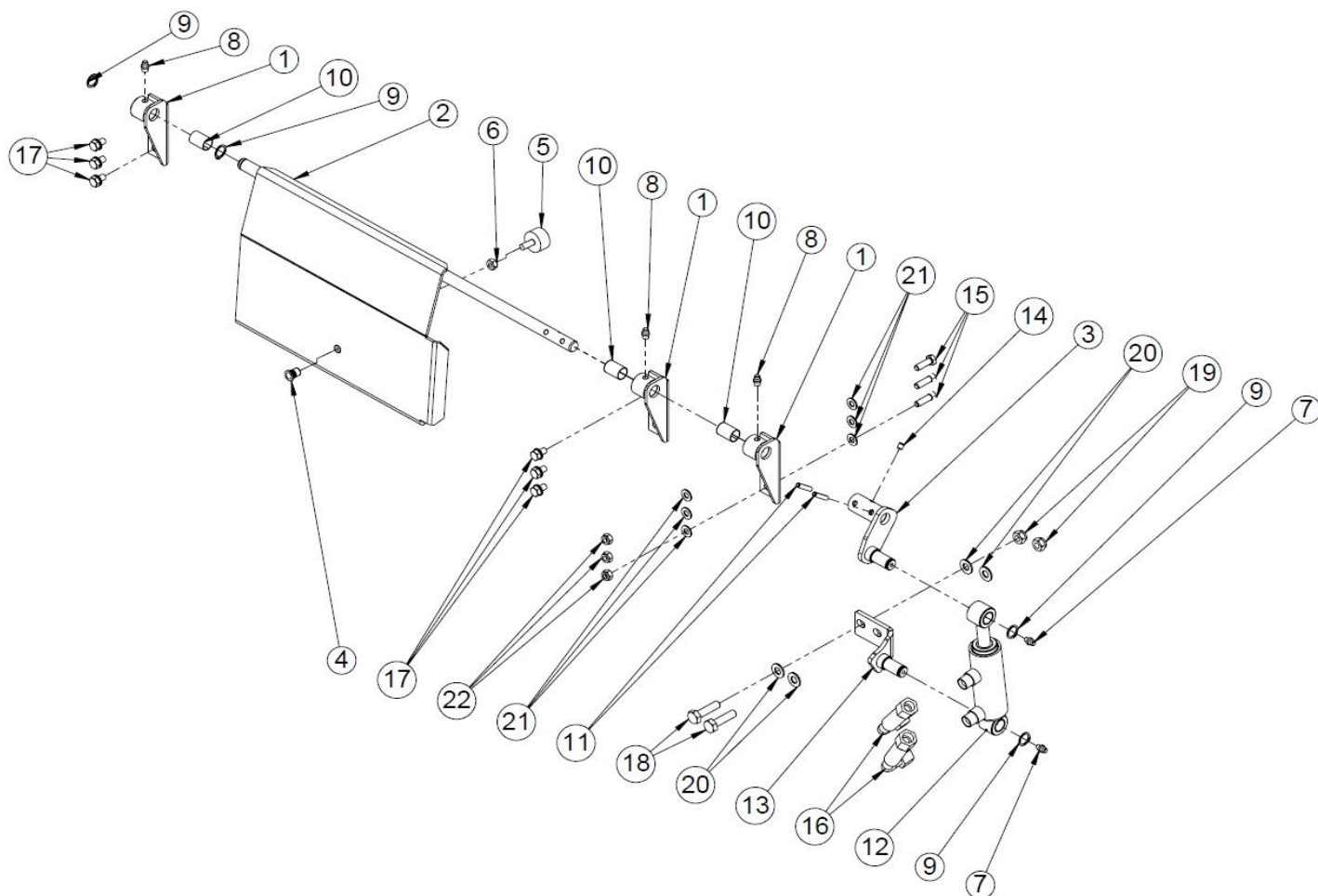
48 Oil tank, complete



## 49 Parts list of the oil tank

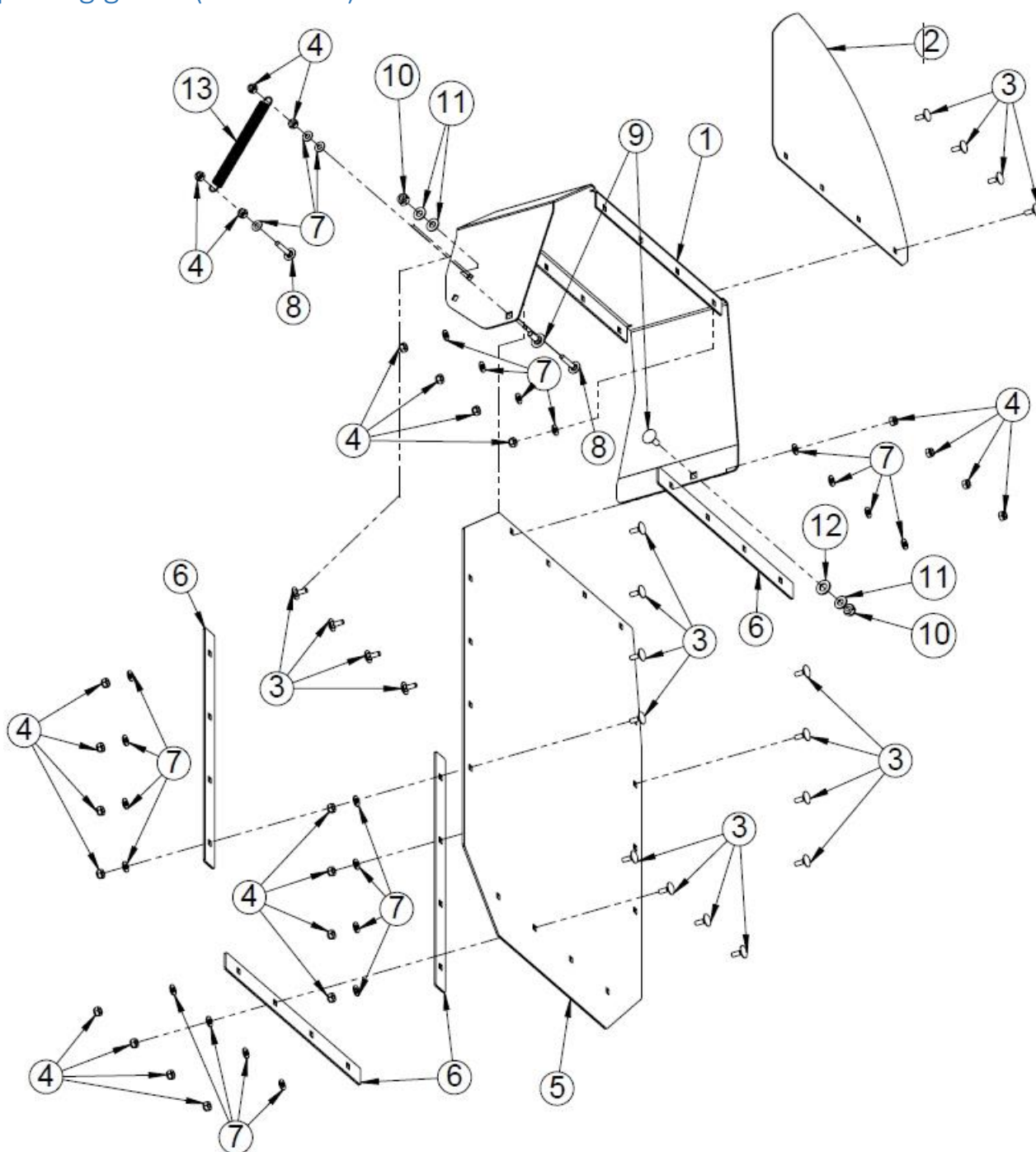
No.	Part number	Name	Standard	Dimensions	Pcs
1	50019260	Hydraulic oil tank			1
2	50025701	Guide plate			1
3	97349	Filter box			1
4	97429	Filler cap			1
5	97552	Oil level sight glass			1
6	97208	Double nipple 3/4" x 1"			1
7	97215	USIT 1"			1
8	50025660	Pin			1
9	96273	Lubrication nipple M6x1			2
10	96427	Flange bolt		M8x12	6
11	96038	Retaining ring	DIN 471	16	3
12	50025639	Measuring device bar			1
13	50027088	Cylinder			1
14	50027250	Bar slide turner			1
15	96433	Spring pin	DIN 1481	10x60	1
16	50027757	Measuring device limiter			1
17	95542	Gas spring ball head		M8 D10	1
18	96196	Hex nut	DIN 934	M8	1
19	96022	Hex socket screw	DIN 912	M10x20	4
20	96049	Washer	DIN 125	A10	4
21	96060	Washer	DIN 125	A6	2
22	96058	Washer	DIN 125	A12	1
23	96276	Lubrication nipple M8X1			2
24	96436	Hex nut	DIN 936	M16	1
25	96437	Hex nut	DIN 936	M20	1
26	96438	Socket set screw	DIN 916	M20x40	1
27	96135	Hex screw	DIN 933	M6x20	2
28	97399	Base plug with magnet 1/2"			1
29	10202	Suction hose nipple			1
30	47112 C	Nipple			1
31	97348	Filter insert			1
32	97040	Hydraulic hose		3/8" L=1800	2
33	97124	Hydraulic hose		3/4" L=1600	1
34	97095	Hydraulic hose		3/8" L=2200	2
35	97587	Suction hose Coroil		32x950 mm	1
36	97850	Steel hose clamp 40-32			4
37	97896	Steel hose clamp 40			4
38	97734	Suction hose Coroil		32x420mm	1
39	97732	Suction hose Coroil		25x420mm	1
40	97733	Suction hose Coroil		25x450mm	1
41	95717	Push bar pin			1
42	8055	Cardan shaft hook			1
43	96246	Cotter pin	DIN 94	3.2x32	1
44	97024	Hydraulic hose		3/8" L=500	1
45	97266	Plug 3/4" uk			1
46	97261	Plug 1/2" uk			1
47	97614	Plug 1" uk			1

## 50 Log guide plate, front (50024609)



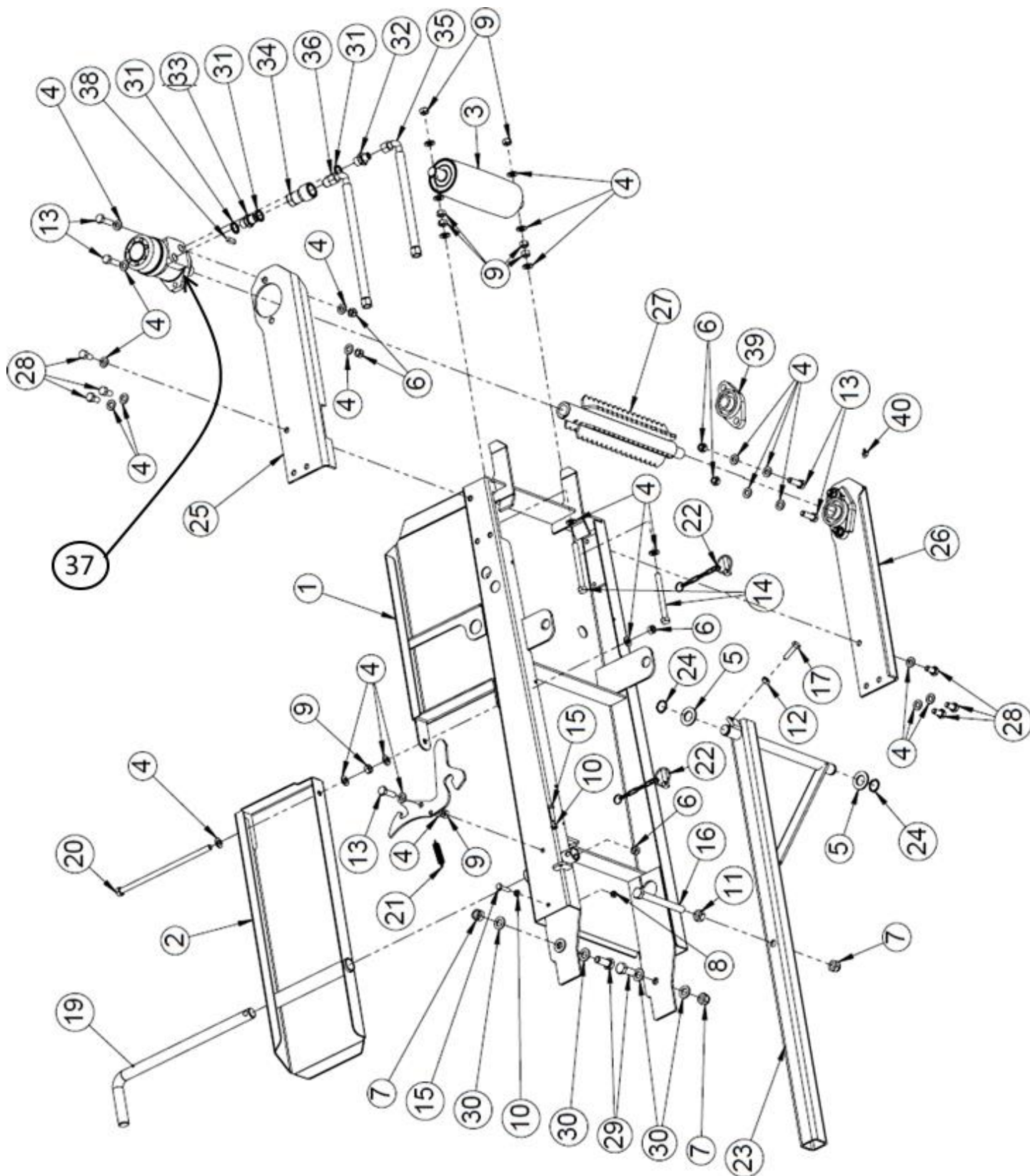
No.	Part number	Name	Standard	Dimensions	Pcs
1	50024916	Fastening lug			3
2	50025688	Guide plate			1
3	50025642	Cylinder mounting			1
4	96382	Rivet nut		M8	1
5	95701	Rubber pad		M8	1
6	96196	Hex nut	DIN 934	M8	1
7	96273	Lubrication nipple		M6x1	2
8	96276	Lubrication nipple		M8x1	3
9	96038	Retaining ring	DIN 471	16	4
10	95064	Slide bearing		18x16x25	3
11	96080	Spring pin, Black	DIN 1481	6x30 Black	2
12	50025511	Cylinder			1
13	50025633	Cylinder lug			1
14	96228	Socket set screw	DIN 916	M8x8	1
15	96164	Hex screw	DIN 933	M8x25	3
16	97180	Hydraulic hose		3/8" L=500	2
17	96427	Flange bolt		M8x12	6
18	96098	Hex screw	DIN 931	M10x40	2
19	96068	Lock nut	DIN 985	M10	2
20	96049	Washer	DIN 125	A10	4
21	96061	Washer	DIN 125	A8	6
22	96222	Lock nut	DIN 985	M8	3

## 51 Splitting guard (50023822)



No.	Part number	Name	Standard	Dimensions	Pcs
1	50023700	Guard fastener			1
2	37614	Upper splitting guard			1
3	96187	Carriage bolt	DIN 603	M8x20	20
4	96222	Lock nut	DIN 985	M8	24
5	50027391	Protective mat			1
6	37609	Protective mat fastening strip			4
7	96061	Washer	DIN 125	A8	23
8	96432	Carriage bolt	DIN 603	M8x40	2
9	96186	Carriage bolt	DIN 603	M10x25	2
10	96068	Lock nut	DIN 985	M10	2
11	96049	Washer	DIN 125	A10	3
12	96058	Washer	DIN 125	A12	1
13	95028	Draw spring		2x15x150	1

52 In-feed conveyor extension (50021334)

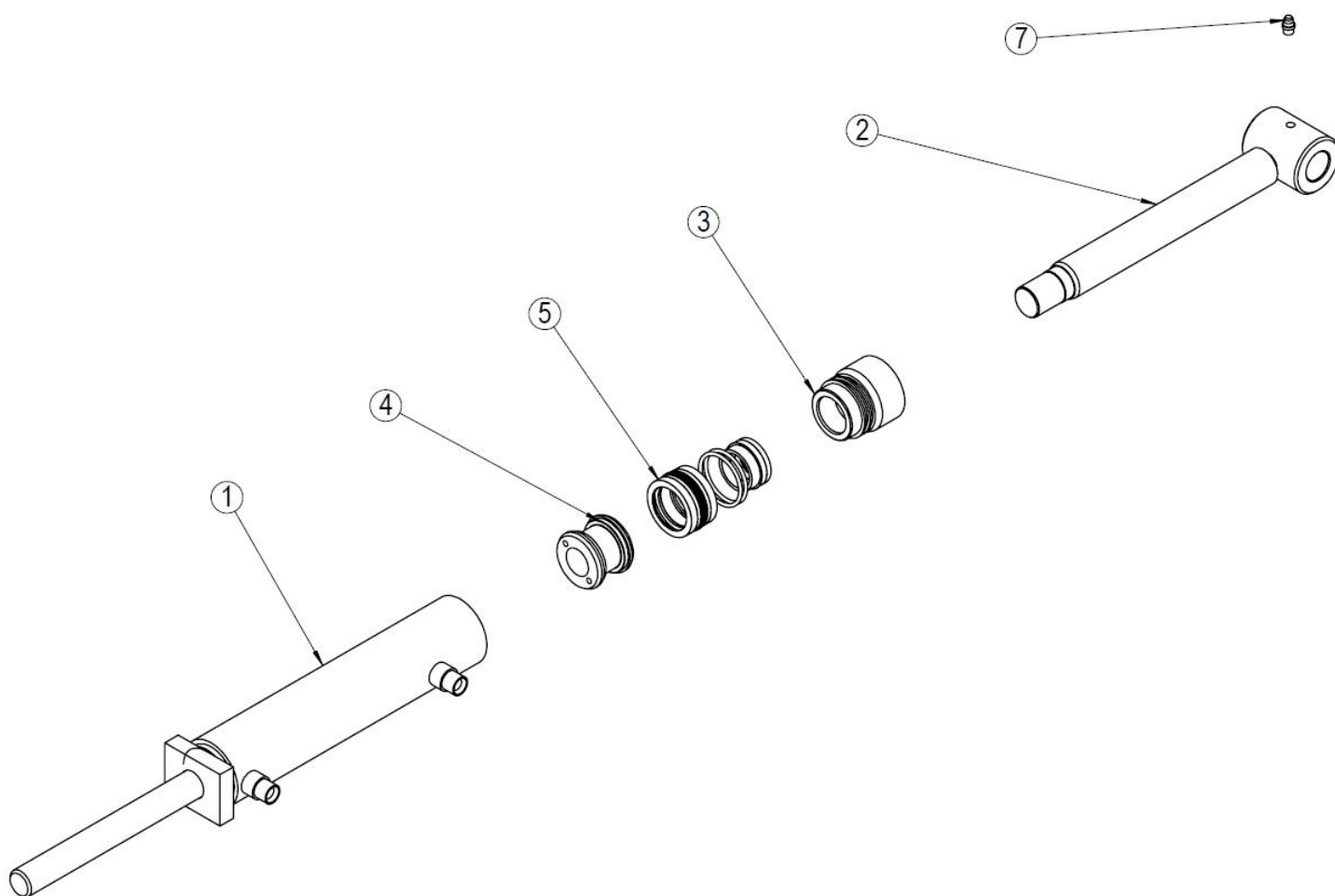




## 53 Parts list of the in-feed conveyor extension (50021334)

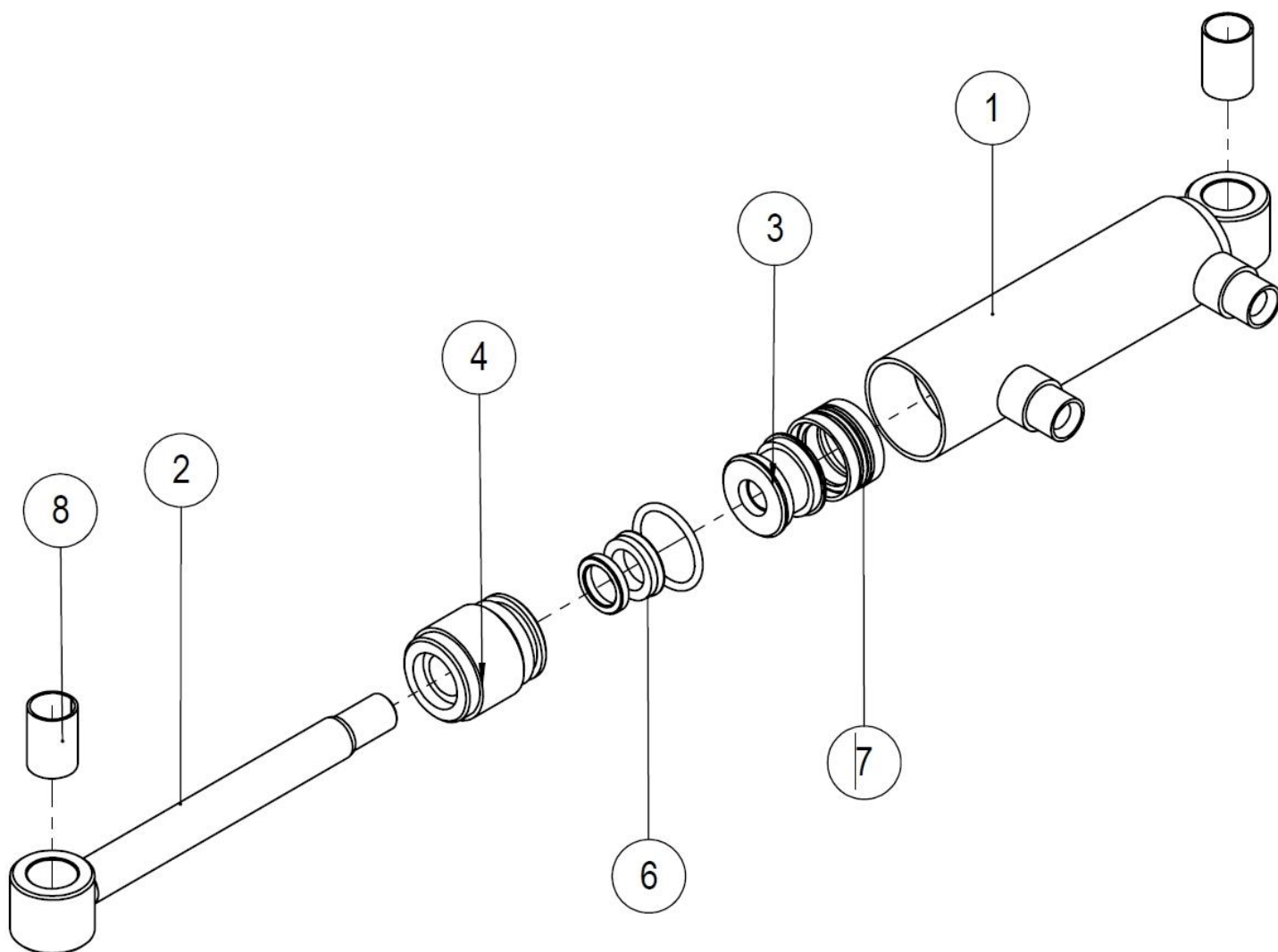
No.	Part number	Name	Standard	Dimensions	Pcs
1	50021291	Extension			1
2	50024983	Vertical plate			1
3	50025312	Tensioning roller			1
4	96058	Washer	DIN 125	A12	28
5	96054	Washer	DIN 125	A24	2
6	96218	Lock nut	DIN 985	M12	6
7	96219	Lock nut	DIN 985	M16	3
8	96222	Lock nut	DIN 985	M8	1
9	96200	Hex nut	DIN 934	M12	8
10	96196	Hex nut	DIN 934	M8	2
11	96195	Hex nut	DIN 934	M16	1
12	96199	Hex nut	DIN 934	M10	1
13	96148	Hex screw	DIN 933	M12x40	5
14	96142	Hex screw	DIN 933	M12x120	2
15	96166	Hex screw	DIN 933	M8x35	2
16	96440	Hex screw	DIN 933	M16x160	1
17	96129	Hex screw	DIN 933	M10x40	1
18	50023439	Extension locking mechanism			1
19	50021797	Locking pin			1
20	96421	Hex screw	DIN 931	M12x280	1
21	95423	Draw spring			1
22	50029912	Safety chain			2
23	50021825	Extension support			1
24	96042	Retaining ring	DIN 471	25	2
25	47184	Fastening plate			1
26	47217	Drive roller fastening			1
27	61105	Drive roller			1
28	96405	Hex screw	DIN 933	M12x25	6
29	96154	Hex screw	DIN 933	M16x40	2
30	96059	Washer	DIN 125	A16	4
31	97213	USIT 1/2"			3
32	97203	Double nipple 3/8" - 1/2"			1
33	97204	Double nipple 1/2" - 1/2"			1
34	97210	Quick coupler, female			1
35	97181	Hydraulic hose		3/8" L=2500	1
36	97077	Hydraulic hose		3/8" L=3000	1
37	97307	Hydraulic motor EPM 160 CD			1
38	97371	Wedge			1
39	95057	Collar step bearing unit		UCFL 205	1
40	96272	Lubrication nipple		M6x1 45	1

## 54 Splitting blade height adjustment cylinder (60915)



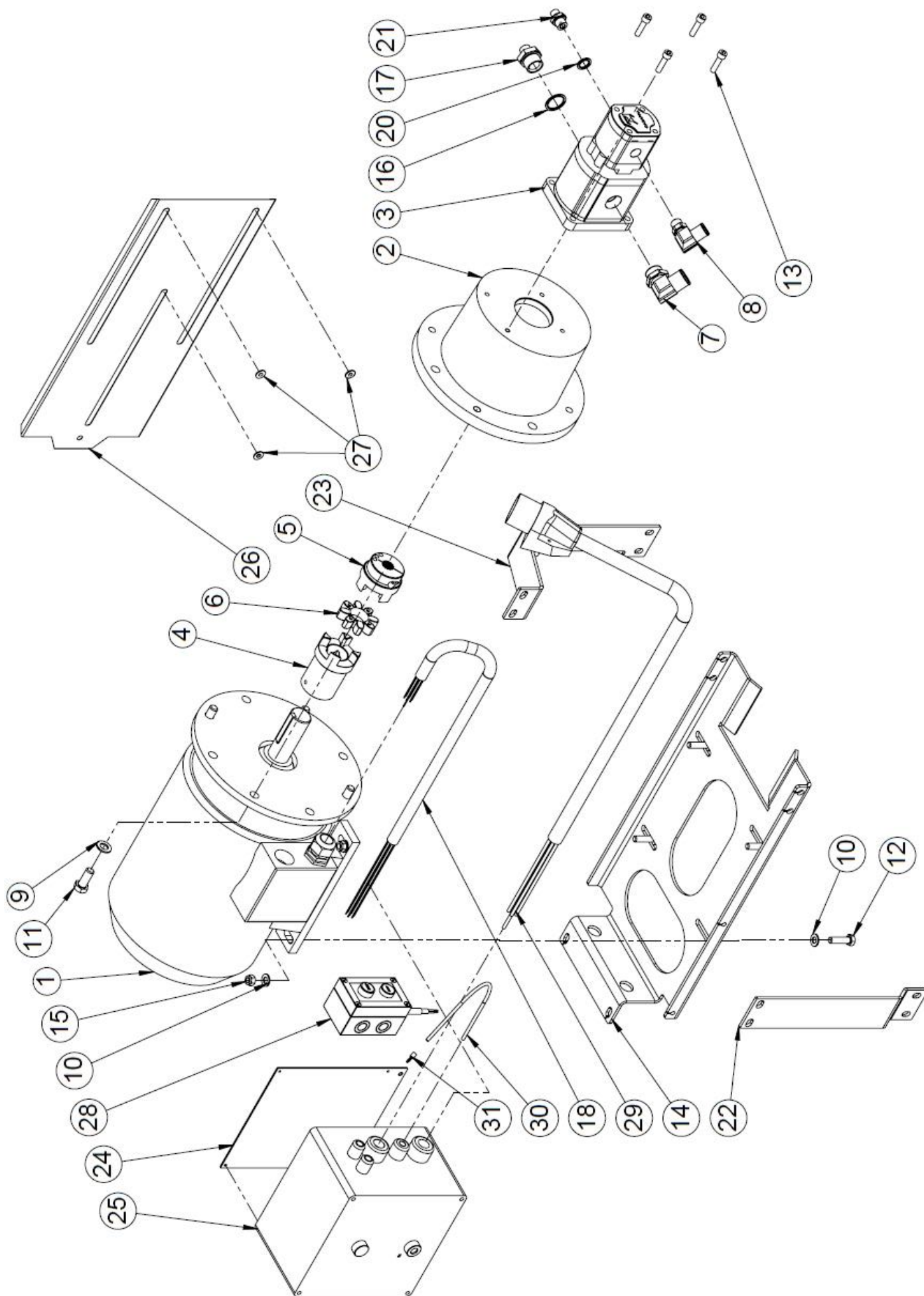
Number	Name	Part number	Pcs
7	Lubrication nipple M8X1	96276	1
5	Cylinder seal kit 50-32	97294	1
4	Piston	10260	1
3	Rod control	10261	1
2	Cylinder rod subassembly	60920	1
1	Cylinder pipe subassembly	60916	1

## 55 Saw actuating cylinder (10240)



No.	Part number	Name	Dimensions	Pcs
1	47734	Cylinder pipe		1
2	47732	Cylinder rod		1
3	10270	Cylinder piston		1
4	10269	Cylinder rod guide		1
8	95064	Slide bearing	18x16x25	2
6	97293	Seal kit	32/16	1

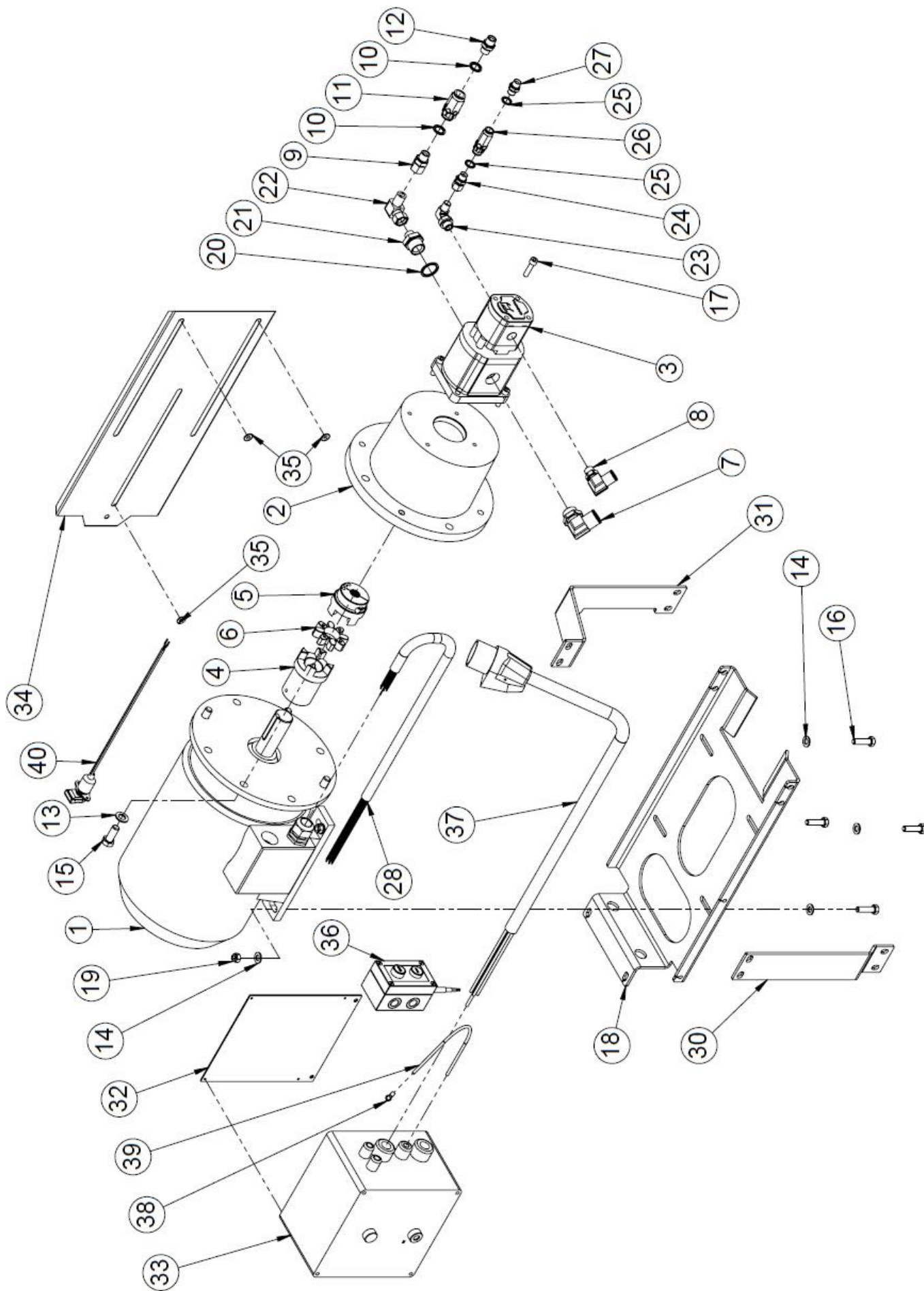
## 56 Electric motor assembly (50029910), electric model



## 57 Parts list of the electric motor assembly (50029910)

No.	Name	Part number	Pcs
31	Split ring M8 yellow	96551	1
30	Earthing cable 6mm <sup>2</sup> x B4 400 mm	95483	1
29	Input cable subassembly	61232	1
28	Remote starter	37648	1
27	Washer	37341	3
26	Sliding plate	37513	1
25	Starter M/S 11/15	95157	1
24	Starter fastening plate	50023601	1
23	Electric motor support, back	50023843	1
22	Electric motor support, front	50023842	1
21	Double nipple 3/8" x 1/2"	97203	1
20	USIT 1/2"	97213	1
19	Split ring M6 blue	96372	7
18	Rubber cable	95221	1
17	Double nipple 1" uk x 1/2" uk	97584	1
16	USIT 1"	97215	1
15	Lock nut	96218	4
14	Motor plate	50023608	1
13	Hex socket screw	96010	4
12	Hex screw	96149	4
11	Hex screw	96154	4
10	Washer	96058	8
9	Washer	96059	4
8	Suction connector 1/2"/25 mm	97893	1
7	Suction connector 1"/32mm	97849	1
6	Clutch rubber R103	97872	1
5	Clutch, pump side	97871	1
4	Clutch, motor side	97870	1
3	Hydraulic pump	97878	1
2	intermediate flange for the 15kw motor	97518	1
1	Electric motor 15 kW	95463	1

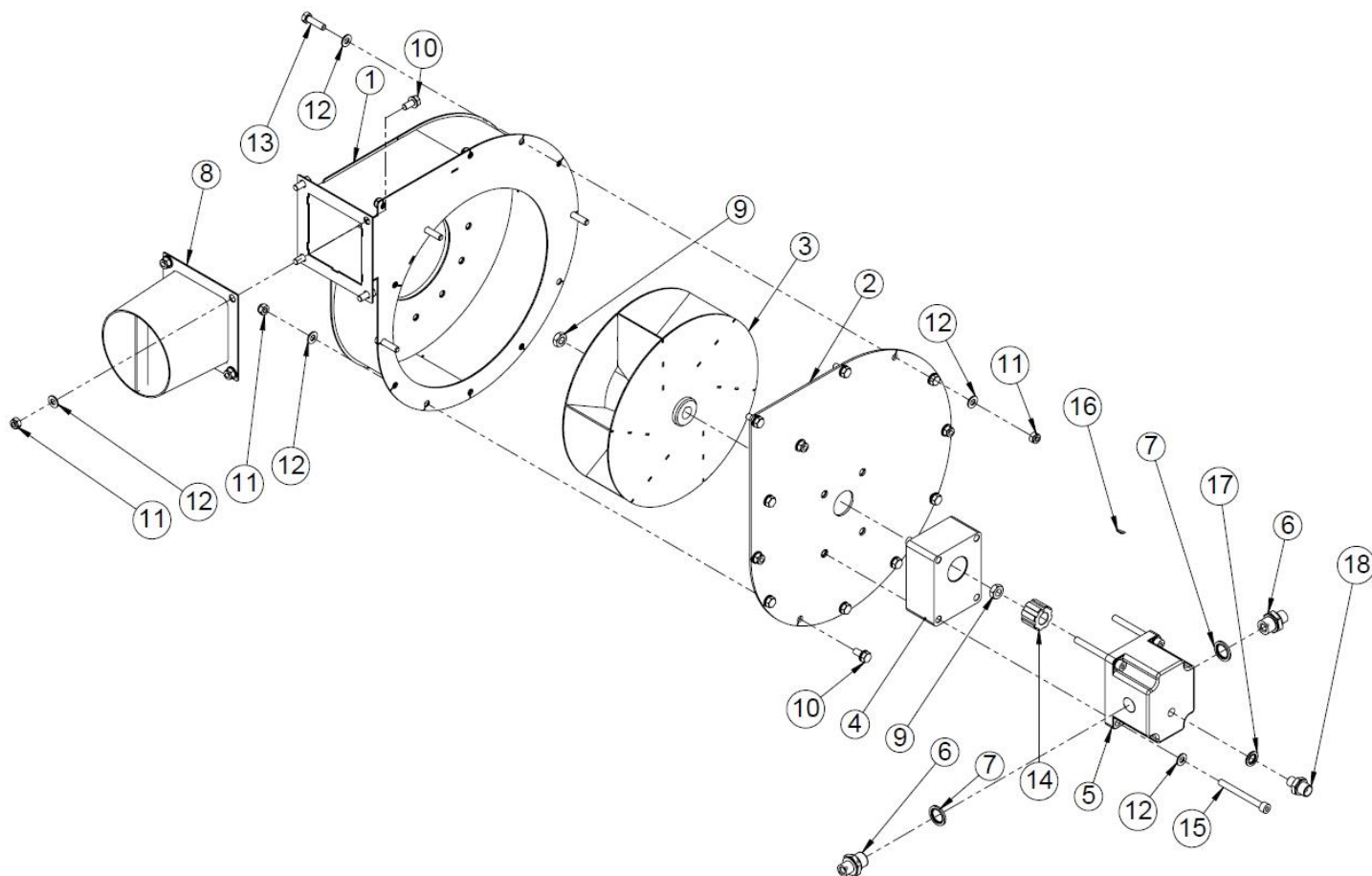
58 Electric motor assembly (50029906), Combi model



## 59 Parts list of the electric motor assembly (50029906)

No.	Name	Part number	Pcs
40	Socket 3-pin + cable	50029990	1
39	Earthing cable 6mm <sup>2</sup>	95483	1
38	Split ring M8 yellow	96551	1
37	Input cable subassembly	61232	1
36	Remote starter	37648	1
35	Washer	37341	3
34	Sliding plate	37513	1
33	Starter M/S 11/15	95157	1
32	Starter fastening plate	50023601	1
31	Electric motor support, back	50023843	1
30	Electric motor support, front	50023842	1
29	split ring M6 blue	96372	7
28	Rubber cable	95221	1
27	Double nipple 3/8" x 3/8"	97202	1
26	Check valve 3/8" 0.5 bar	97251	1
25	USIT 3/8"	97212	2
24	Connecting nipple 3/8" uk x 3/8" sk	97219	1
23	Directional corner nipple 1/2" uk x 3/8" uk	97610	1
22	Corner nipple 90° 1/2" uk x 1/2" sk	97241	1
21	Double nipple 1" uk x 1/2" uk	97584	1
20	USIT 1"	97215	1
19	Lock nut	96218	4
18	Motor plate	50023608	1
17	Hex socket screw	96010	4
16	Hex screw	96149	4
15	Hex screw	96154	4
14	Washer	96058	8
13	Washer	96059	4
12	Double nipple 1/2" x 1/2"	97204	1
11	Check valve 1/2" 0.5 bar	97252	1
10	USIT 1/2"	97213	2
9	Connecting nipple 1/2" uk x 1/2" sk	97216	1
8	Suction connector 1/2"/25 mm	97893	1
7	Suction connector 1"/32mm	97849	1
6	Clutch rubber R103	97872	1
5	Clutch, pump side	97871	1
4	Clutch, motor side	97870	1
3	Hydraulic pump	97878	1
2	intermediate flange for the 15kw motor	97518	1
1	Electric motor 15 kW	95463	1

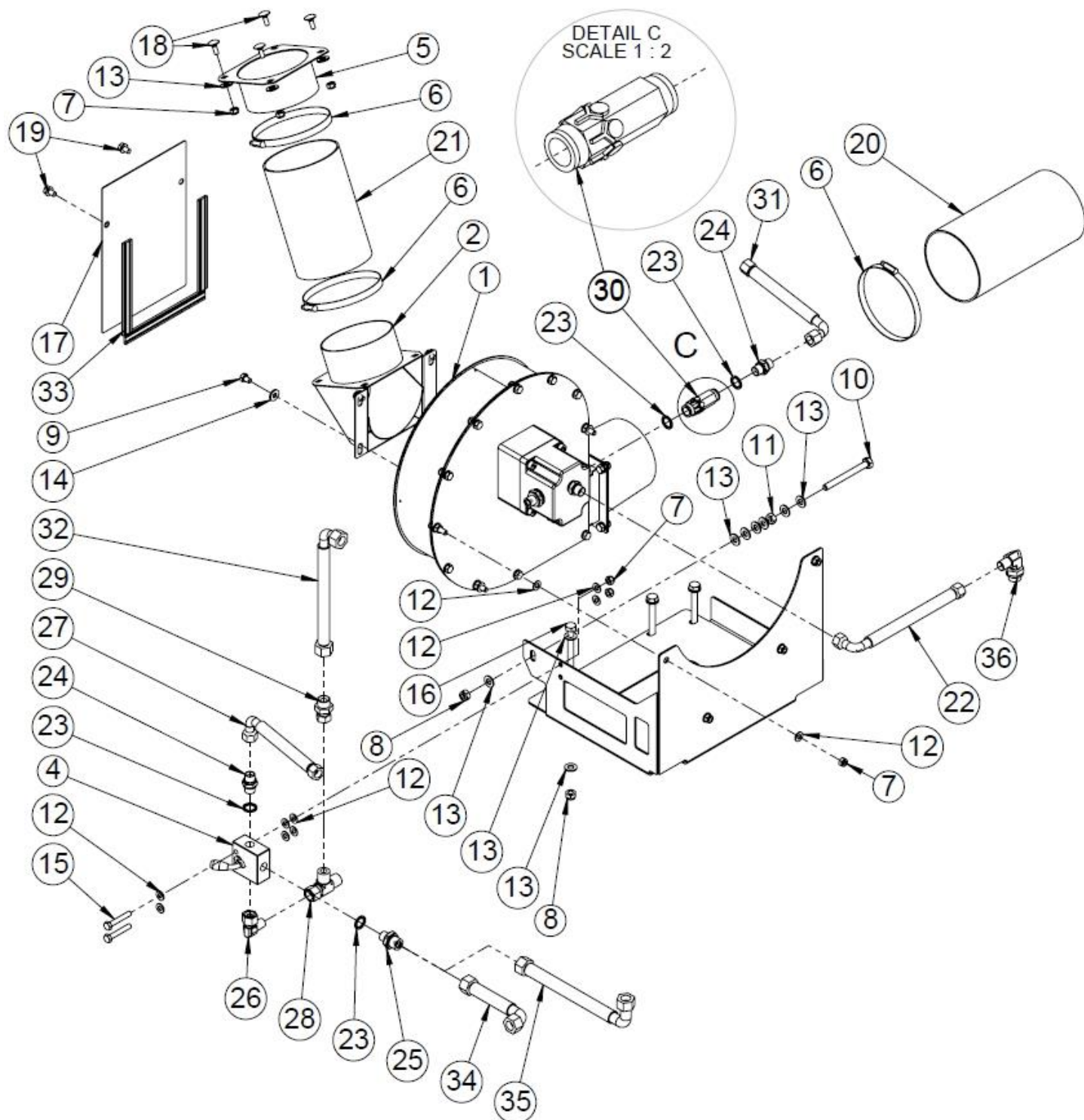
## 60 Saw-dust removal (50030264)



Part	Name	Part number	Dimensions	Pcs
18	Double nipple 1/4" x 3/8"	97201		1
17	USIT 1/4"	97211		1
16	Wedge	97583		1
15	Hex socket screw	96444	M8x80	4
14	Inner clutch	97561		1
13	Hex screw	96165	M8x30	4
12	Washer	96061	A8	25
11	Lock nut	96222	M8	17
10	Flange bolt M8x16	96172		13
9	Hex nut	96206	M12	2
8	Hose connector	67029		1
7	USIT 1/2"	97213		2
6	Double nipple 3/8" x 1/2"	97203		2
5	Gear motor 6.3 DH	97572		1
4	Support bearing	97560		1
3	Rotor	67015		1
2	Rotor fastening plate	50029719		1
1	Frame	50029707		1



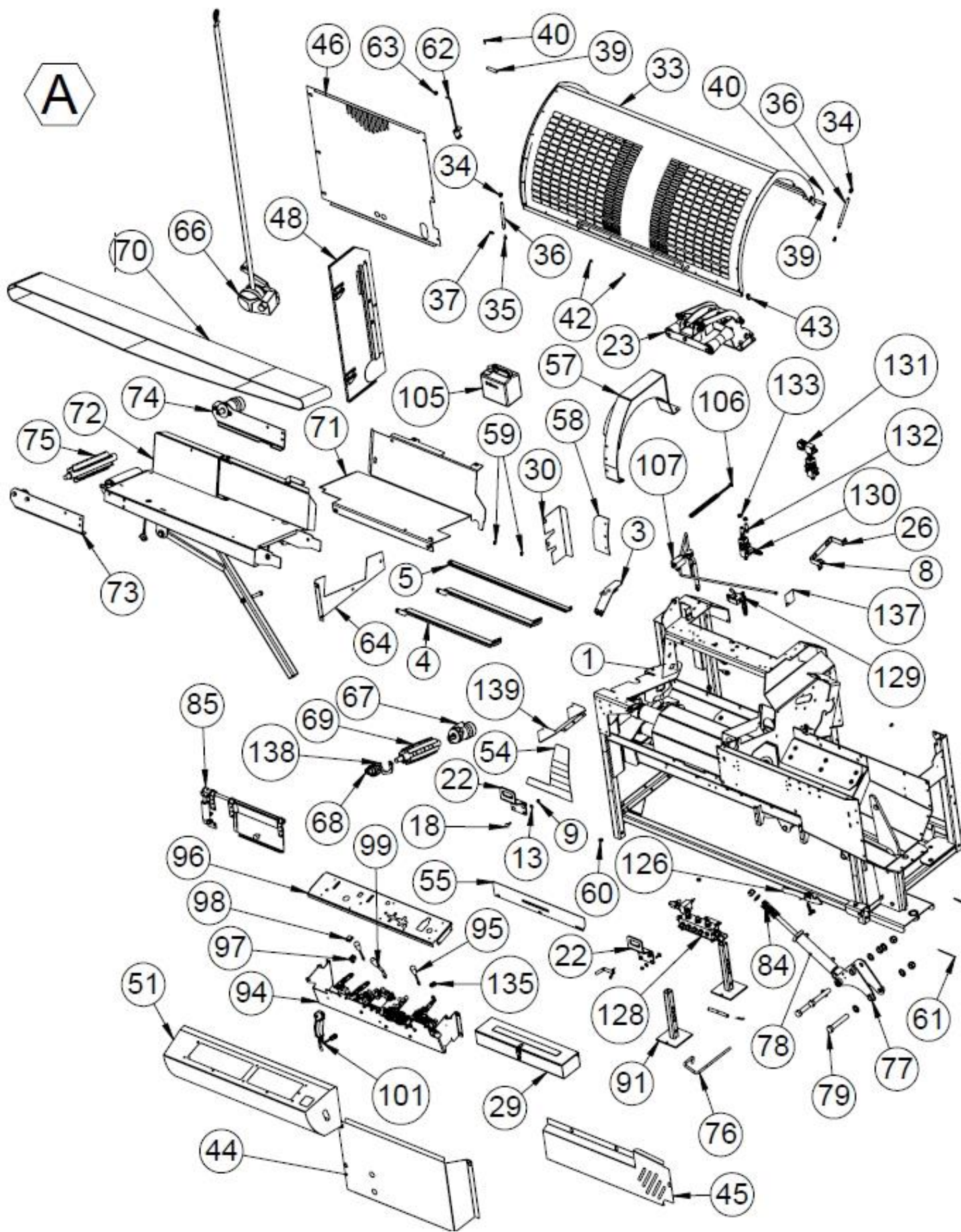
## 61 Saw-dust removal assembly (50029709)



## 62 Parts list of the saw-dust removal assembly (50029709)

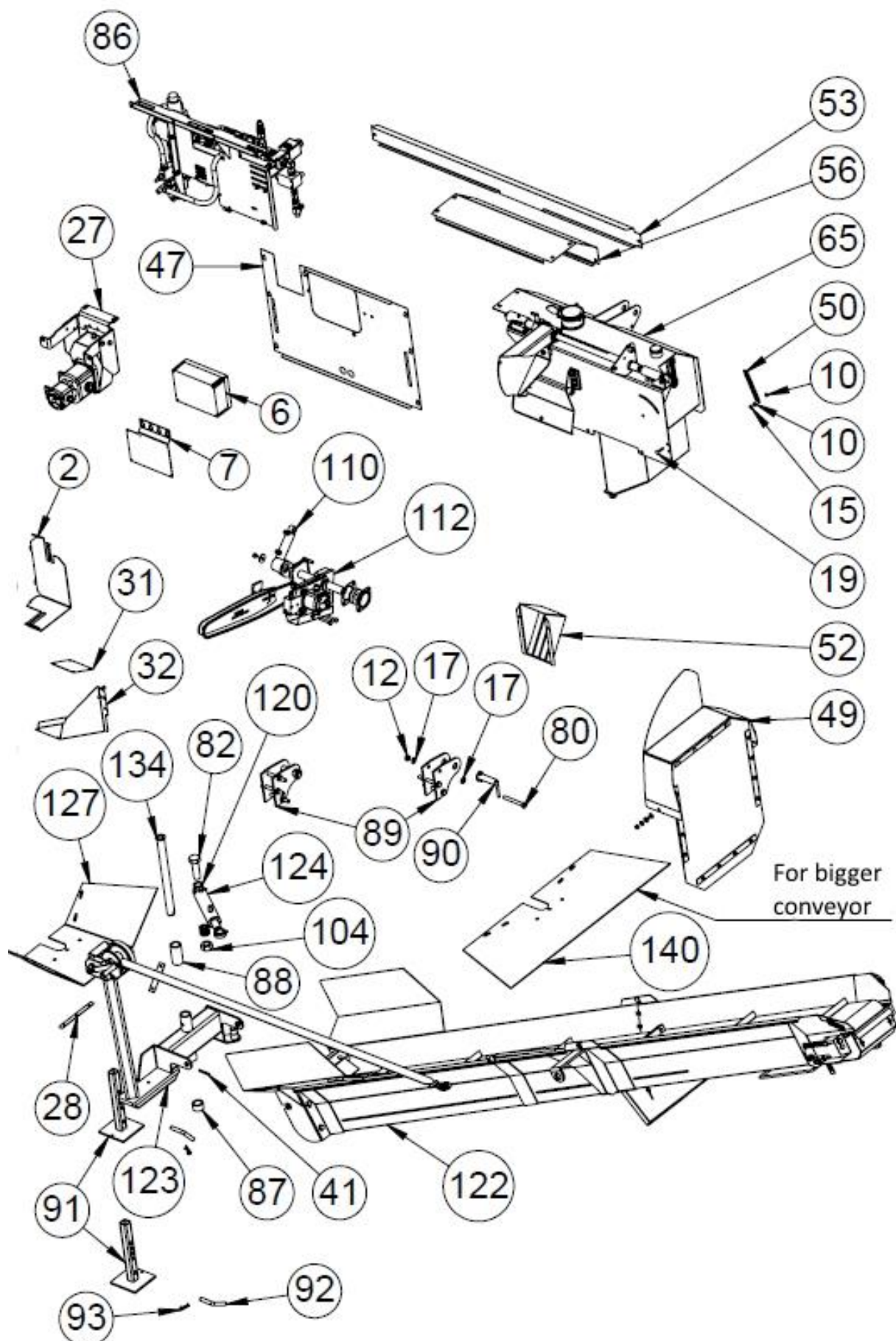
No.	Name	Part number	Dimensions	Pcs
36	Directional corner nipple 1/2" uk x 3/8" uk	97610		1
35	Hydraulic hose, 2000x1/2", straight/90	97184		1
34	Hydraulic hose, 900x 1/2", straight/90	97119		1
33	Sealing tape 20x4	95460	3x190 mm	1
32	Hydraulic hose, 1500, straight/90 fabric cover	97059		1
31	Hydraulic hose 700 x 3.8" straight 90	97008		1
30	Check valve 3/8" 0.5 bar	97251		1
29	Connecting nipple 1/2" uk x 3/8" sk	97220		1
28	Adjustable L-connector 3/8"	97234		1
27	Hydraulic hose 450 x 3.8" straight 90 350 bar	97044		1
26	Directional corner nipple 3.8	97250		1
25	Double nipple 3/8" x 1/2"	97203		1
24	Double nipple 3/8" x 3/8"	97202		2
23	USIT 3/8"	97212		4
22	Hydraulic hose 1000 x 3.8" straight 90 350 bar	97025		1
21	Saw-dust hose flexible 200 mm HP 43 saw-dust removal	000268	200 mm	1
20	Saw-dust hose 1000 mm HP 43 saw-dust removal	95609	1000 mm	1
19	Flange bolt 8.8 ZN M8x12	96427		2
18	Carriage bolt	96187	M8x20	4
17	Dust opening cover	50000170	PL1.50 200x300	1
16	Hex screw	96445	M10x80	3
15	Hex screw	96124	M8x50	2
14	Sesco washer M8	96287		4
13	Washer	96049	A10	17
12	Washer	96061	A8	16
11	Hex nut	96199	M10	1
10	Hex screw	96297	M10x100	1
9	Hex screw	96160	M8x12	4
8	Lock nut	96068	M10	4
7	Lock nut	96222	M8	10
6	Hose clamp ABA 101-138	96348		3
5	Outlet connection	50029725		1
4	3-way valve 3.8	97533	30x60x60	1
3	Saw-dust removal bracket	50028825	PL3 x	1
2	Connection pipe	50029724		1
1	Saw-dust blower	50030264		1

63 Main assembly, A



64 Main assembly, B

**B**



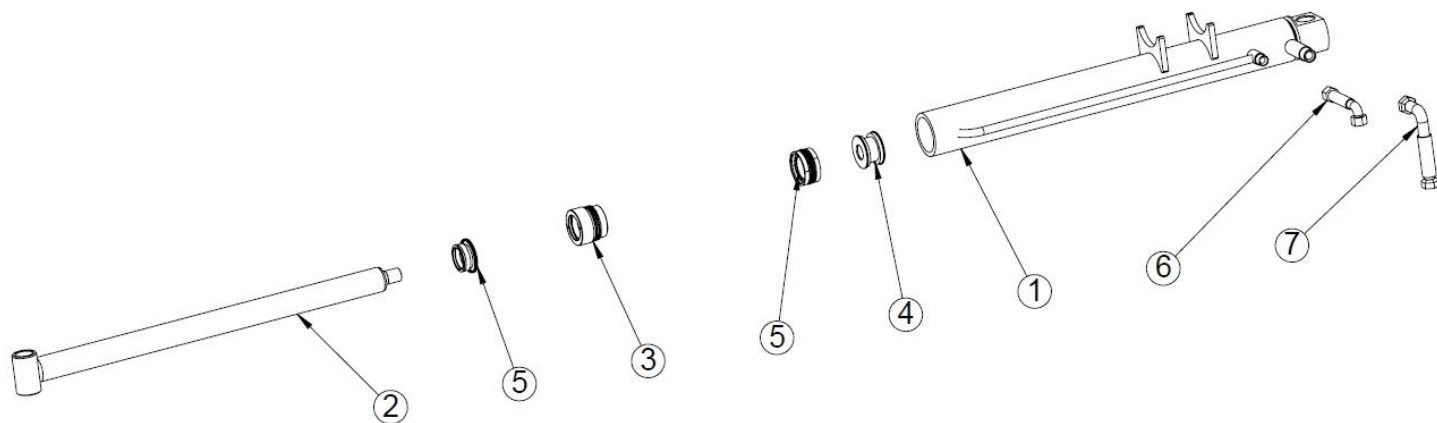
## 65 Parts list of the main assembly (A + B)

No.	Name	Part number	Dimensions	Pcs
140	Splitting guard mat	50030549	Large conveyor model	1
139	Debris chute	50028850	PL1.50	1
138	Bearing fastening plate	47159b	PL10	1
137	Cover plate	50030357	PL1.50	1
136	Lubrication nipple M8X1	96276		3
135	DEUTSCH 6 pin junction box	95864		1
134	Conveyor swivel pin	50027313		1
133	Retaining nut 3/8"	97279		2
132	Bushing nipple 3/8" uk	97278		1
131	Manifold B 43	50029899		1
130	Manifold A 43	50029858		1
129	Saw chain tensioning tap 43	50029857		1
128	Manifold return 43	50028185		1
127	Splitting guard mat	50030434		1
126	Out-feed conveyor locking latch	47141		1
125	Draw spring	95423		1
124	Cylinder Ø50, Ø32	11160		1
123	Out-feed conveyor swivel device	60600		1
122	Out-feed conveyor	50016903		1
121	Out-feed conveyor winch	37151		1
120	Washer	50006559	PL3 31x44	4
119	Bearing unit	95277	UCF207	1
118	Saw bar 18" 404 1.6mm	95697		1
117	Saw bar fastening plate	50028939	10x80 L=60	1
116	Saw chain Stihl 404 68vl 1.6mm	95698		1
115	Washer	10492	Ø40xØ11 L=3	1
114	Metal housing PFL 7 FK	50025848		2
113	Bearing SB207 (B7) FK	50025848		1
112	Hydraulic chain tensioner	50028446	See separate list	1
111	Cylinder mounting	50020346		1
110	Saw cylinder	10242		1
109	Wedge	47837	10x8L=50	1
107	Saw chain lubrication pump	50029960		1
106	Rubber cover fastener	95645		1
105	Oil container 3l	95647		1
104	Hex nut	96330	M30	1
103	Hex nut	96199	M10	1
102	Fastener	50029950	Ø12	1
101	Control handle 43	97897		1
100	Flange bolt M8x16	96172		4
99	Valve operating lever	10753		1
98	Rocker switch splash guard	95706		1
97	Rocker switch	95705		1
96	Valve mount cover	50028425	PL3	1
95	AL01 M8 120 lever	97423		2

94	Regulating valve mount	50028427	machine with standard conveyor	1
93	Hitch pin	96208		4
92	Pin	48033	Ø16 L=135	4
91	Height adjustment leg	50014783		4
90	Drawbar pin 28x130	95717		2
89	Lifting arm lug	37454	PL8 x160x185	4
88	Intermediate bushing	50027276	Ø50x Ø32 L=mm	1
87	Intermediate bushing	50027094	Ø50x Ø32 L=mm	1
86	Splitting valve kit	50023487		1
85	Guide plate, front	50024609		1
84	Pressure spring Ø26-9-120	95026		1
83	Hex screw	96102	M10x90	2
82	Hex screw	96377	M30x100	1
81	Hex screw	96100	M10x60	2
80	Hex screw	96295	M14x120	6
79	Hex screw	96343	M24x150	3
78	Splitting blade adjustment cylinder	60915		1
77	Splitting blade adjuster	50020578		1
76	Locking pin	50027457	Ø12	1
75	Drive roller	61105		1
74	Right side of the back of the extension	60318		1
73	Drive roller fastening	47217		1
72	Extension	50021334		1
71	In-feed conveyor plate	50019318	PL4	1
70	In-feed conveyor belt	95298		1
69	In-feed conveyor drive roller	50021265		1
68	Collar step bearing unit	95057	UCFL 205	1
67	Hydraulic motor EPM 200	97308		1
66	Winch out-feed conveyor	37150		1
65	Hydraulics oil tank	50024914		1
64	Back plate	50021778	PL3	1
63	Stopper	50009248		1
62	Cage guard	50029926		1
61	Lower rubber fastening plate	37596	PL3 30x140	2
60	PVC button	95594		2
59	Rivet nut large-headed M8	96382		6
58	Finger guard	50012922		1
57	Log press arch	50020866		1
56	Cover	50025945	PL1.50	1
55	Front guard	50023617	PL3 x	1
54	Front guard short	50023621	PL3 x	1
53	Back baffle plate	50021313	PL1.50	1
52	Sawdust guide	37551		1
51	Valve cover	50022661		1
50	Draw spring 2x15x150 (yellow-passivated)	95028		1
49	Splitting guard	50023822		1
48	Rear guard plate	50023350		1

47	Rear cover	50021500	PL1.50	1
46	Rear guard plate	50021501	PL1.50	1
45	Front guard low	50027162	PL1.50	1
44	Front plate	50023543	PL1.50	1
43	Plug 15x30	95709		2
42	Cover plug 13 mm	95708		2
41	Spring pin	96079	8x60	1
40	Spring pin	96354	6x24	2
39	Cage pin	47967	Ø16 L=70	2
37	Gas spring ball head M8 D10	95542		1
36	Gas spring 15-6 L 273-105-350N	95539		2
35	Gas spring ball joint socket	95541		1
34	Gas spring bracket M6 D8.2	95540		2
33	Upper guard	50029811		1
32	Sawdust trough	50020263	PL1.50	1
31	Sawdust trough plate	50022429	PL1.50	1
30	Safety guard	50029940	PL1.50	1
29	Toolbox, big	50021751		1
28	Plate reinforcement	50008967	PL3 20x230	1
27	Gear + pump pto 43	50029904		1
26	Sensor fastener	50026589	PL3	1
25	Hex screw	96137	M10x12	1
24	Hex screw	96144	M12x20	4
23	Log press	50027761		1
22	Lifting lug	50028935	PL8	2
21	Carriage bolt	96191	M8x25	1
20	Carriage bolt	96186	M10x25	5
19	Carriage bolt	96432	M8x40	3
18	Carriage bolt	96387	M10x30	8
17	Washer	96051	A14	12
16	Washer	96054	A24	7
15	Washer	96061	A8	4
14	Washer	96058	A12	6
13	Washer	96049	A10	19
12	Lock nut	96211	M14	6
11	Lock nut	96214	M24	4
10	Lock nut	96222	M8	7
9	Lock nut	96068	M10	15
8	Induction sensor M18 PNP opens	95536		5
7	Relay box bracket	50029521	PL3	1
6	Relay cover HP43	95865		1
5	Hose support	50026097	PL3	1
4	Hose support	50029356	PL3	2
3	Splitting mechanism trigger	50030276		1
2	Oil canister bracket	50023458	PL3	1
1	Frame	50025985		1

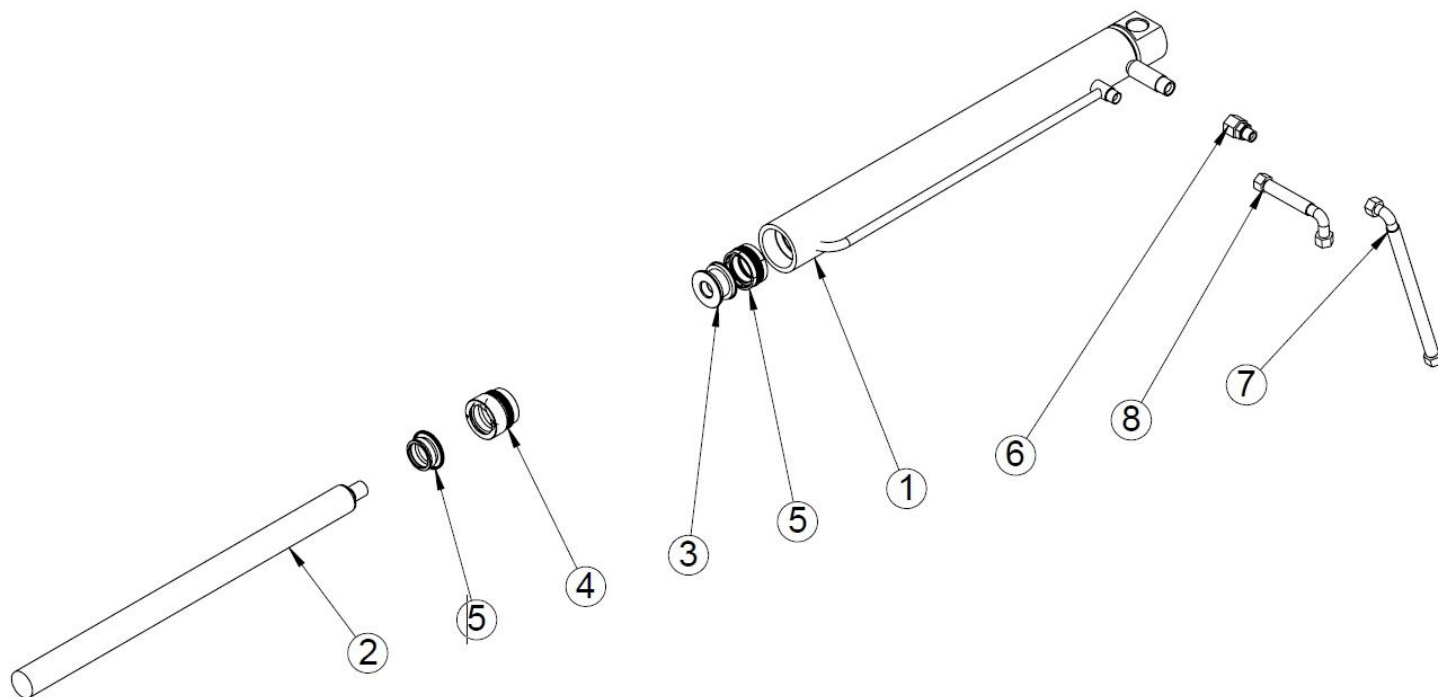
## 66 High-pressure cylinder (50028448)



No.	Name	Part number	Pcs
8	Lubrication nipple, M8X1	96276	1
7	Hydraulic hose, 450 x 3/4" straight 90,high pressure	97188	1
6	Hydraulic hose, 450 x 1/2" straight 90 machine angle	97071	1
5	High-pressure seal kit	97620	1
4	Piston	97622	1
3	Rod control	97621	1
2	Piston rod subassembly	97623	1
1	Pipe welding	97624	1

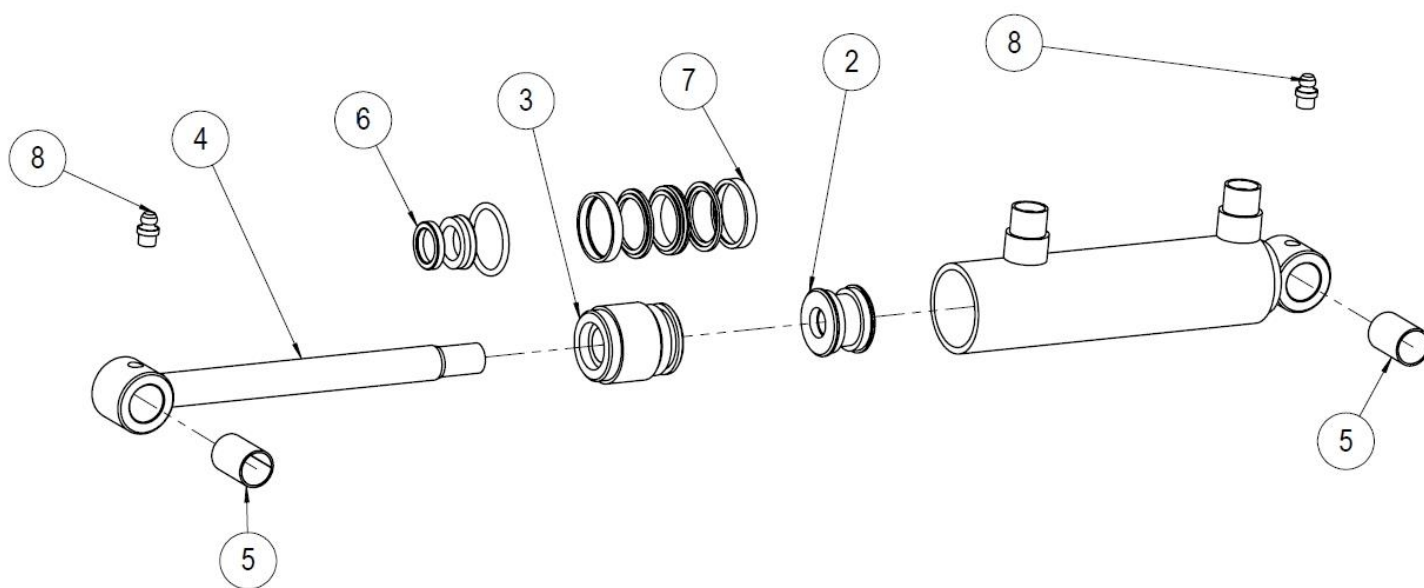


## 67 High-pressure cylinder 2 (50028450)



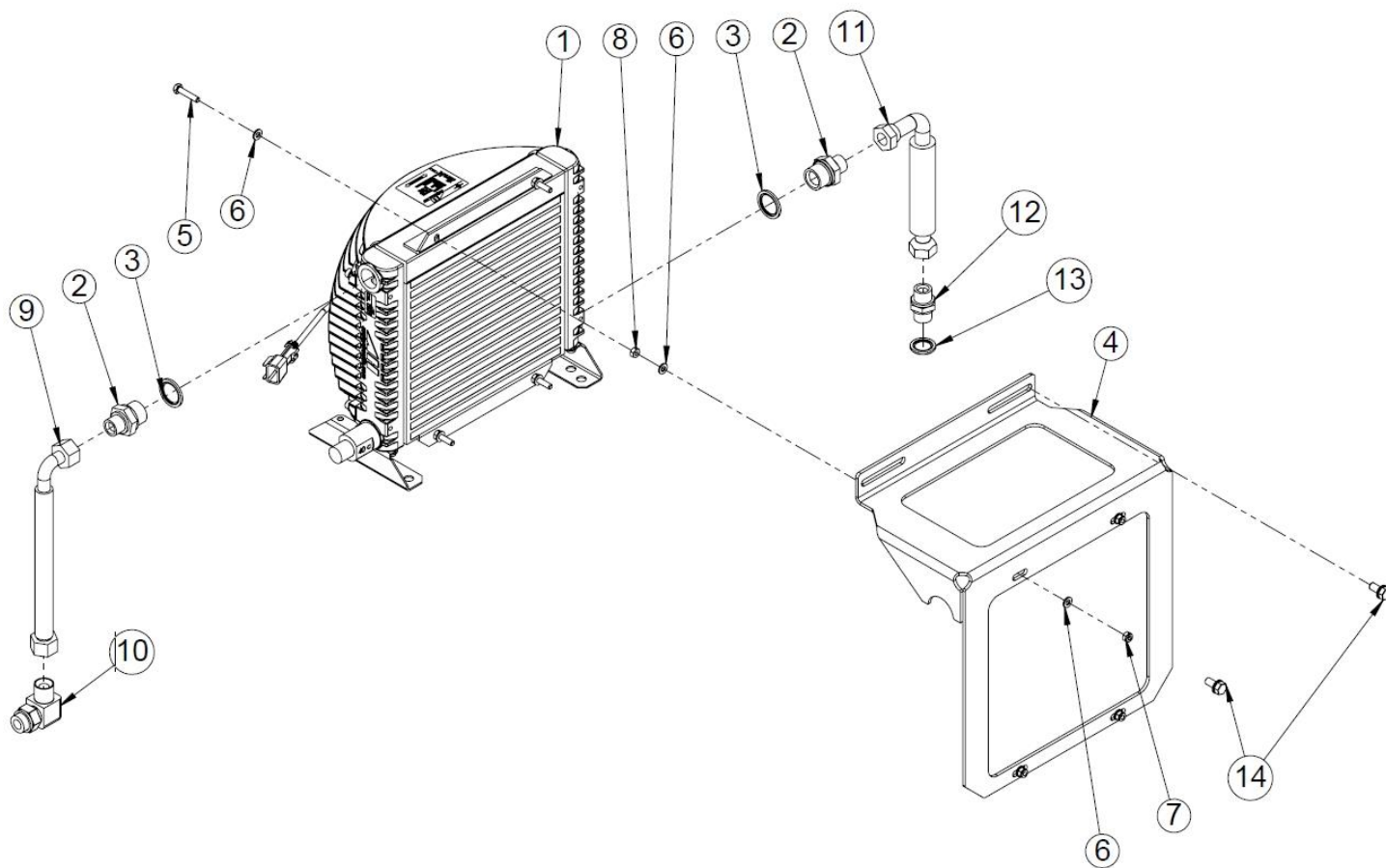
No.	Name	Part number	Pcs
9	Lubrication nipple, M8X1	96276	1
8	Hydraulic hose 1000 x 1/2", straight/90, high pressure	97187	1
7	Hydraulic hose, 750 x 1/2", straight/90	97014	1
6	Connecting nipple, 1/2" x 3/4"	97221	1
5	High-pressure seal kit	97620	1
4	Rod guide	97621	1
3	Piston	97622	1
2	Rod	97625	1
1	Cylinder pipe	97626	1

## 68 Log press cylinder (47381)



No.	Name	Part number	Pcs
8	Lubrication nipple M8X1	96276	2
7	Piston seals 32	97293	1
6	Rod guide seals 32-16	97293	1
5	Slide bearing	95064	2
4	Cylinder rod	47382	1
3	Cylinder rod guide	10269	1
2	Cylinder piston	10270	1
1	Cylinder pipe	47747	1

## 69 Oil cooler (43698)



No.	Name	Part number	Dimensions	Pcs
14	Flange bolt M8x16	96172		2
13	USIT 1/2"	97213		1
12	Double nipple 1/2" x 1/2"	97204		1
11	Hydraulic hose, 1200x 1/2", straight/90	97111		1
10	Directional corner nipple 1/2"	97247		1
9	Hydraulic hose, 1500 straight 90	97059		1
8	Hex nut	96311	M6	4
7	Lock nut	96221	M6	4
6	Washer	96060	A6	12
5	Hex screw	96292	M6x30	4
4	Oil cooler bracket	50030565	PL4	1
3	USIT 3/4"	97214		2
2	Double nipple 1/2" x 3/4"	97205		2
1	Oil cooler	97885		1