

ENGLISH

Hakki Pilke

38 Pro

FIREWOOD PROCESSOR SPARE PARTS MANUAL



MAASELÄN KONE OY

Valimotie 1, FI-85800 Haapajärvi, Finland

Tel. +358 (0)8 772 7300

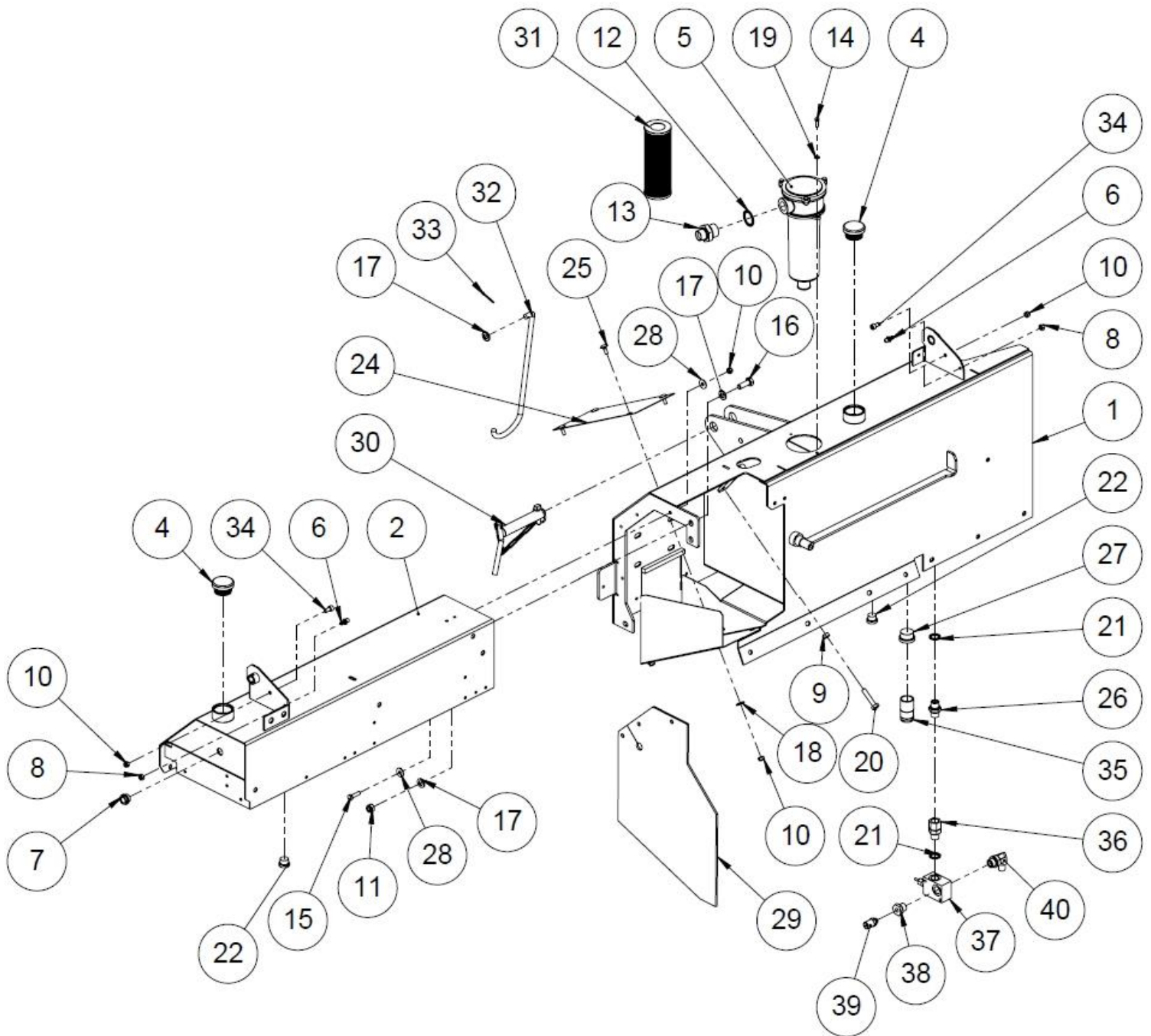
info@hakkipilke.fi

www.hakkipilke.fi

Contents

1.1	Exploded view of the oil tanks	4
1.2	Parts list of the oil tanks	5
1.3	Lifting points	6
1.4	Electric motor kit	7
1.5	In-feed conveyor	8
1.6	Guards	9
1.7	Relay cover	10
1.8	Upper section of the out-feed conveyor	11
1.9	Out-feed conveyor belt	12
1.10	Lower section of the out-feed conveyor	13
1.11	Out-feed conveyor swivel device	14
1.12	Splitting cylinder + pusher	15
1.13	Splitting blades	16
1.14	Splitting blade adjuster	17
1.15	Conveyor turning device (50034528)	18
1.16	Saw chain lubrication pump	19
1.17	Saw fastener (50031313)	20
1.18	Cutting saw (50031306)	21
1.19	Log clamp (50031122)	22
1.20	Splitting blade guard (50031101)	23
1.21	Oil cooler (50030480)	24
1.22	Gear + hydraulic pump (50030329)	25
1.23	Sawdust blower (50030264)	26
1.24	Regulating valve mount (50028381)	27
1.25	Exploded view of the splitting and saw valves (50028350)	28
1.26	Parts list of the splitting and saw valves (50028350)	29
1.27	In-feed conveyor auxiliary roller (38583)	30
1.28	In-feed conveyor quick couplers (37646)	31
1.29	In-feed conveyor extension (37631)	32
1.30	Log measuring device (37561)	33
1.31	Hydraulic sawdust blower, complete (67083)	34

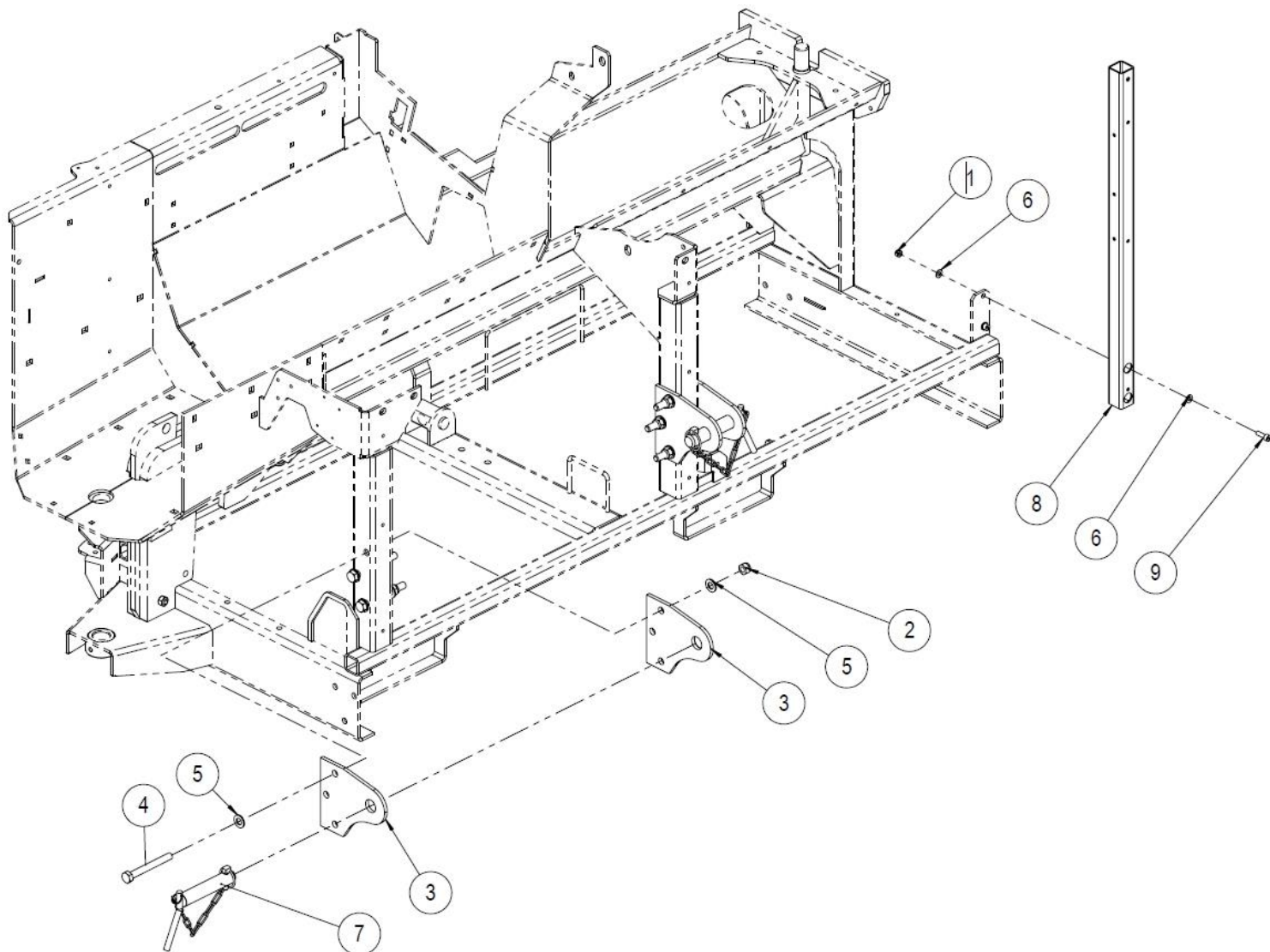
1.1 Exploded view of the oil tanks



1.2 Parts list of the oil tanks

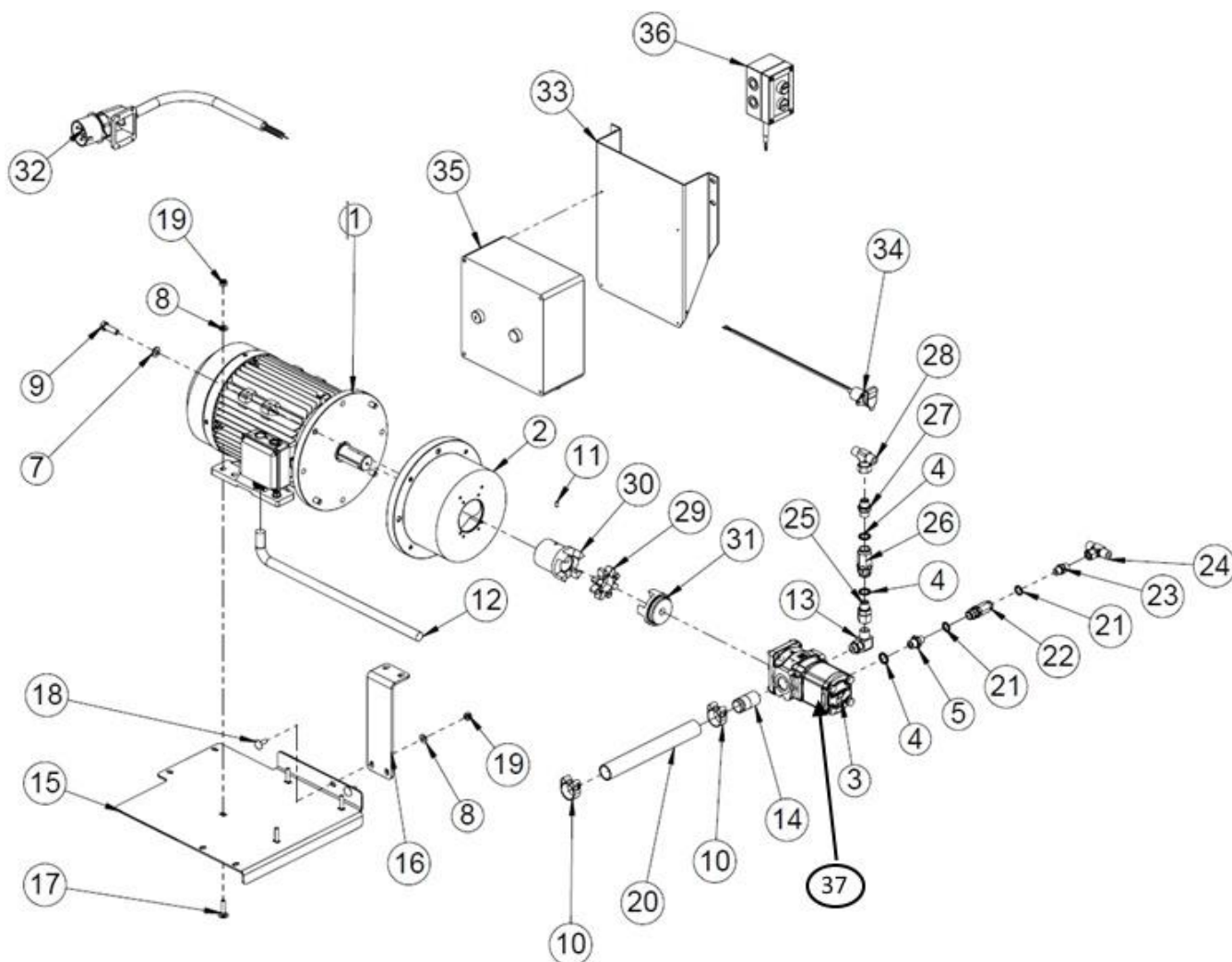
No.	Part number	Name	Pcs
1	50030693	Oil container	1
2	50030703	Container extension	1
3	97552	Oil sight glass	1
4	97429	Filler cap	2
5	97349	Filter box	1
6	95542	Gas spring ball head, M8 D10	2
7	97446	Oil gauge	1
8	96196	Hex nut DIN 934 M8	2
9	96199	Hex nut DIN 934 M10	1
10	96222	Locking nut DIN 985 M8	9
11	96218	Locking nut DIN 985 M12	1
12	97215	USIT 1"	1
13	97208	Double nipple 3/4" x 1"	1
14	96135	Hex screw DIN 933 M6x20	2
15	96165	Hex screw DIN 933 M8x30	3
16	96147	Hex screw DIN 933 M12x35	1
17	96058	Washer DIN 125 A12	3
18	96049	Washer DIN 125 A10	4
19	96060	Washer DIN 125 A6	2
20	96099	Hex screw DIN 931 M10x50	1
21	97213	USIT 1/2"	2
22	97261	Plug 1/2" uk	2
23	97399	Plug 1/2"	1
24	37580	Sawdust box plate	1
25	96187	Locking screw DIN 603 M8x20	4
26	97204	Double nipple 1/2" x 1/2"	1
27	97614	Plug 1" uk	1
28	96085	Washer DIN 9021 M8	6
29	50031800	Sawdust guard	1
30	95716	Push bar pin 25x130	1
31	97348	Filter insert	1
32	8055	Cardan shaft hook	1
33	96246	Split pin DIN 94 3.2x32	1
34	96023	Hexagon socket head cap screw DIN 912 M8x16	2
35	47112 C	Nipple	1
36	97216	Connecting nipple 1/2" uk x 1/2" sk	1
37	97414	Pressure relief valve 1/2"	1
38	97580	Reducer fitting 1/2" uk x 1/4" sk	1
39	97378	Pressure measurement fitting 1/4"	1
40	97610	Corner nipple 1/2" uk x 3/8" uk	1

1.3 Lifting points



No.	Part number	Name	Pcs
1	96222	Locking nut DIN 985 M8	2
2	96211	Locking nut DIN 985 M14	6
3	37454	Lifting arm lug	4
4	96295	Hex screw DIN 931 M14x120	6
5	96051	Washer DIN 125 A14	12
6	96061	Washer DIN 125 A8	4
7	95717	Drawbar pin 28x130	2
8	37473	Corner pipe	1
9	96035	Hexagon socket head cap screw DIN 912 M8x25	2

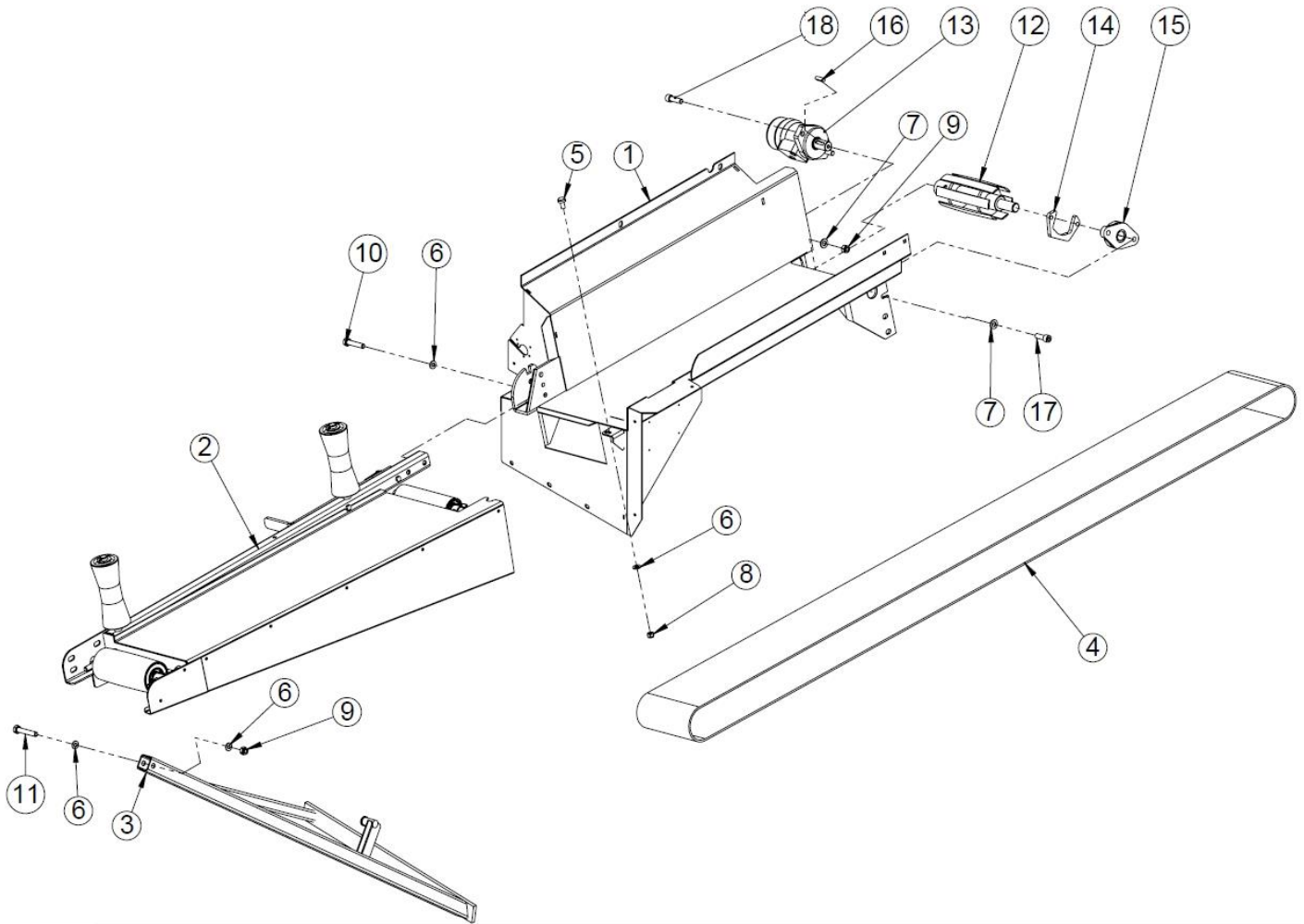
1.4 Electric motor kit



No.	Part number	Name	Pcs
1	95846	Electric motor 10 kW B35	1
2	97350	Motor flange	1
3	97846	Hydraulic pump, 38 Pro	1
4	97213	USIT 1/2"	3
5	97203	Double nipple 3/8" x 1/2"	1
6	96035	Hexagon socket head cap screw DIN 912 M8x25	4
7	96058	Washer DIN 125 A12	4
8	96049	Washer DIN 125 A10	6
9	96148	Hex screw DIN 933 M12x40	4
10	97850	Steel hose clamp 40-32	2
11	96227	Socket set screw DIN 916 M8x12	1
12	95164	Electric cable 7x1.5 L=2,100mm	1
13	97247	Directional corner nipple 1/2"	1
14	47112 C	Nipple	1
15	50028929	Electric motor bed	1
16	50030299	Bed fastener	1
17	96314	Lock screw DIN 603 M10x40	4

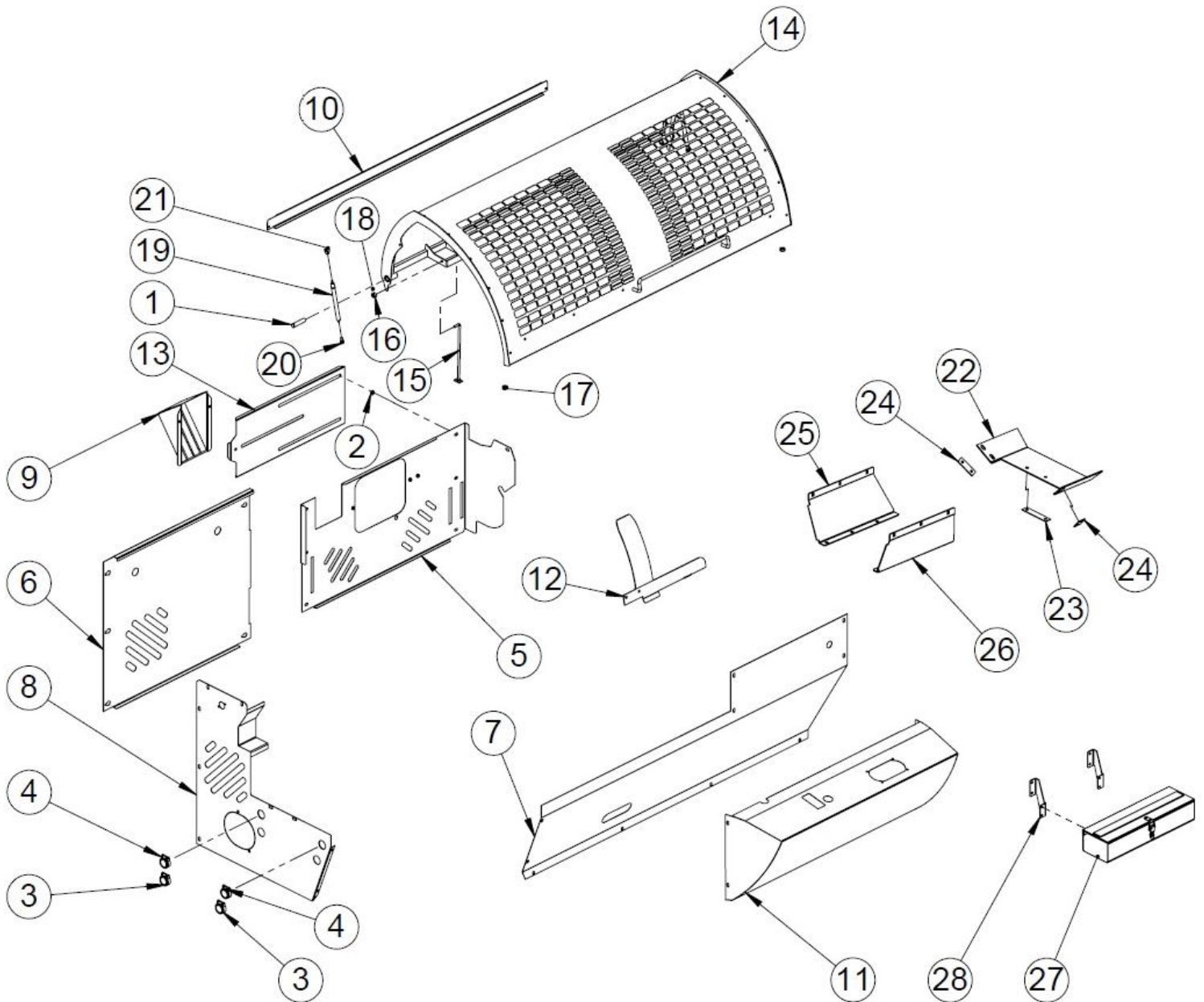
18	96186	Lock screw DIN 603 M10x25	2
19	96068	Locking nut DIN 985 M10	6
20	97736	Suction hose L=1050mm	1
21	97212	USIT 3/8"	2
22	97251	Check valve 3/8" 0.5 bar	1
23	97202	Double nipple 3/8" x 3/8"	1
24	97230	Adjustable T-connector 3/8"	1
25	97216	Connecting nipple 1/2" uk x 1/2" sk	1
26	97252	Check valve 1/2" 0.5 bar	1
27	97204	Double nipple 1/2" x 1/2"	1
28	97229	Adjustable T-connector 1/2"	1
29	95732	Clutch rubber	1
30	97351	Gap clutch, electric motor	1
31	97351	Gap clutch pump	1
32	37636	Input cable	1
33	37338	Starter fastening plate	1
34	37662	Socket + cable	1
35	95157	Starter MS 11/15	1
36	37648	Remote starter	1
37	97750	Seal kit for pump 97846	1

1.5 In-feed conveyor



No.	Part number	Name	Pcs
1	37319	Infeed table	1
2	37631	In-feed table extension	1
3	37390	In-feed conveyor support	1
4	95128	In-feed conveyor belt	1
5	50030761	Positioning pin	1
6	96049	Washer DIN 125 A10	4
7	96058	Washer DIN 125 A12	4
8	96068	Locking nut DIN 985 M10	1
9	96218	Locking nut DIN 985 M12	3
10	96109	Hex screw DIN 931 M12x60	1
11	96110	Hex screw DIN 931 M12x70	1
12	10158	In-feed conveyor drive roller	1
13	97307	Hydraulic motor EPM 160	1
14	47159b	Bearing fastening plate	1
15	95318	Bearing, UC 205	1
16	97371	Wedge	1
17	96413	Hexagon socket head cap screw DIN 912 M12x35	2
18	96027	Hexagon socket head cap screw DIN 912 M12x40	2

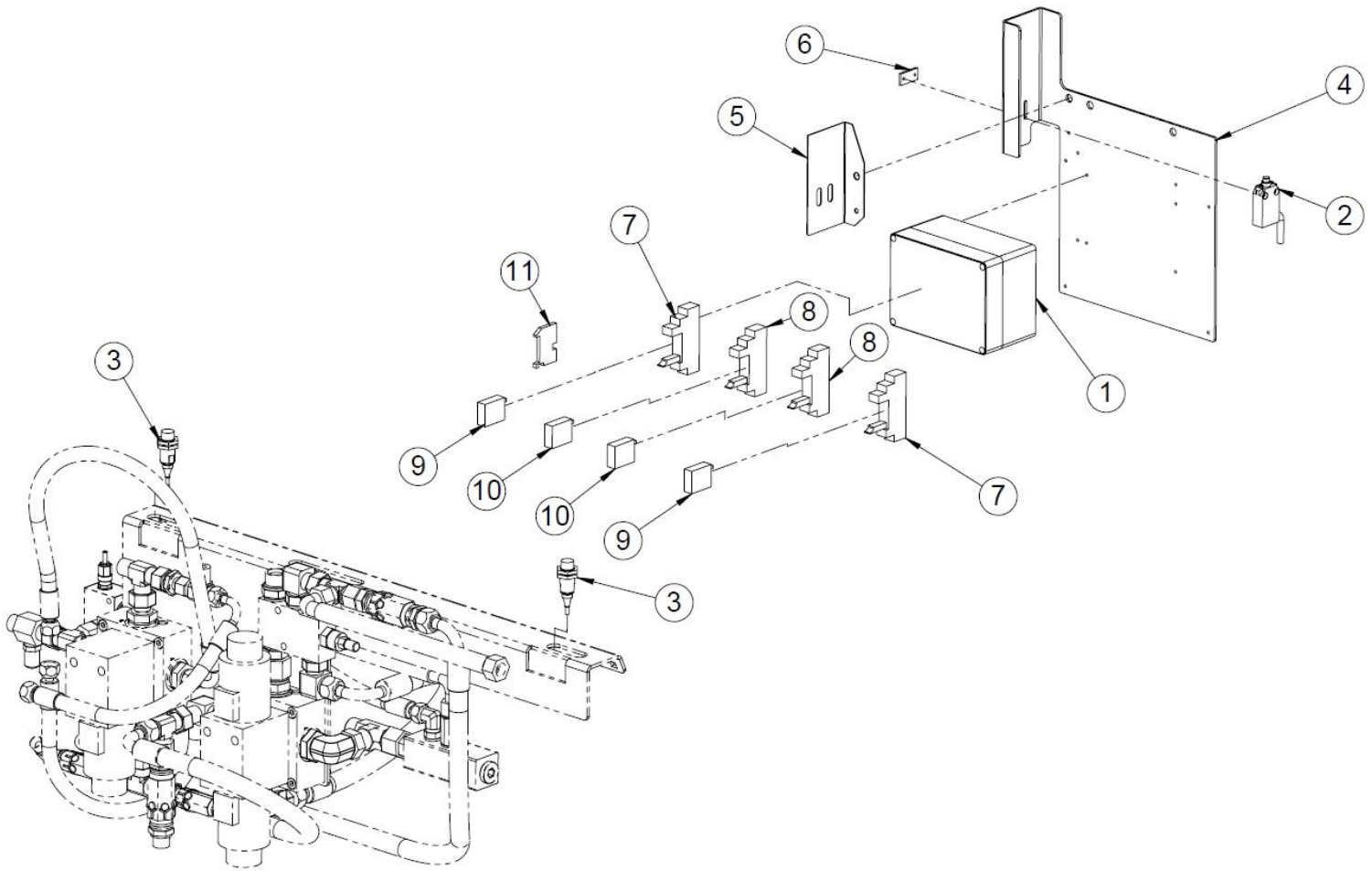
1.6 Guards



No.	Part number	Name	Pcs
1	47967	Pin	2
2	37341	Washer	3
3	97739	Dust cover, black	2
4	97740	Dust cover, red	2
5	37340	Rear guard	1
6	37455	Maintenance hatch	1
7	37439	Front guard	1
8	37283	End guard	1
9	37551	Sawdust guide	1
10	37447	Baffle	1
11	50028386	Control panel	1
12	37546	Saw blade guard	1
13	37513	Sliding plate	1

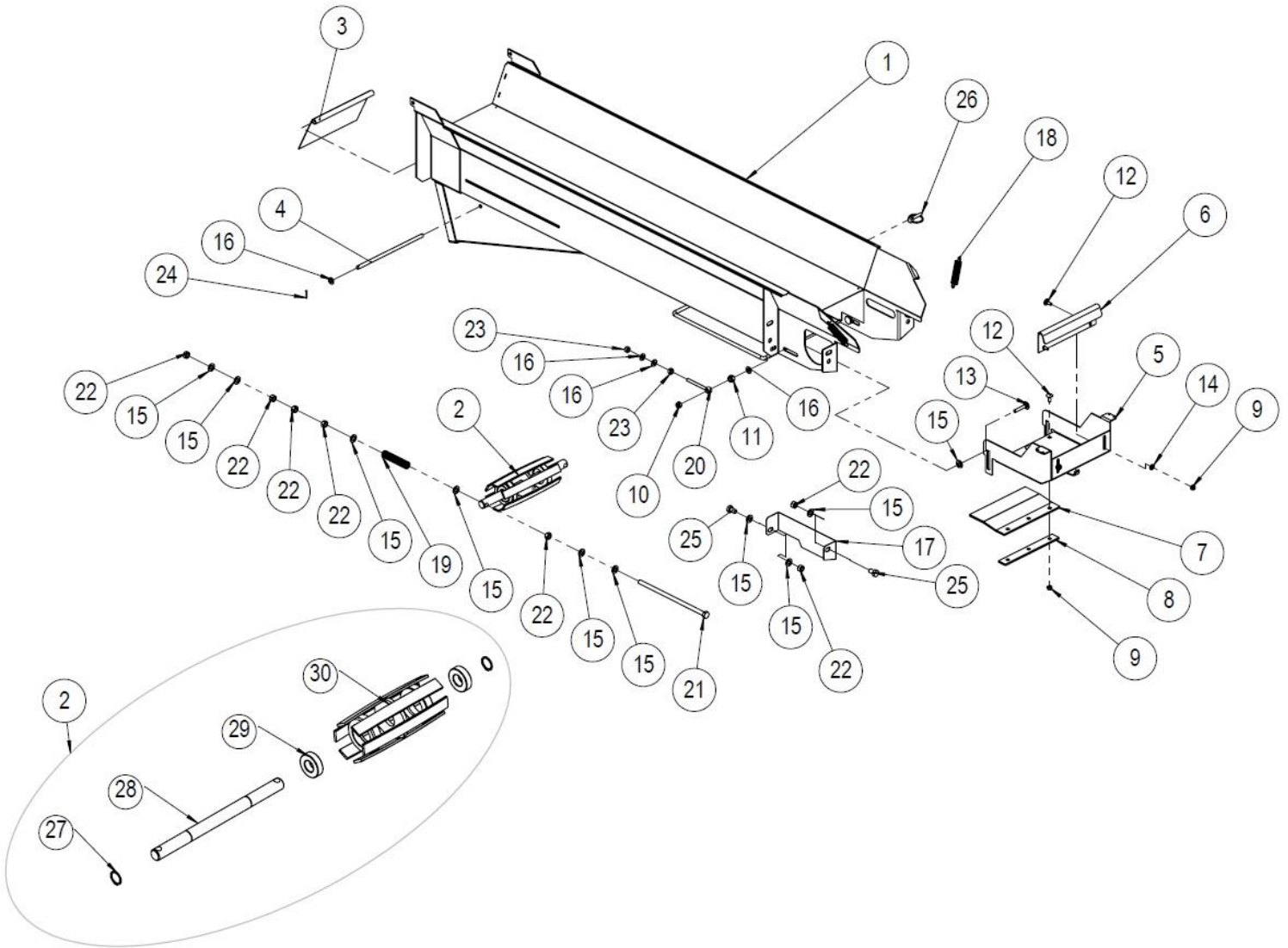
14	50029811	Upper cover	1
15	50030813	Safety rod	1
16	50009248	Stopper	1
17	95594	Button	2
18	96362	Socket set screw DIN 914 M6x8	1
19	95539	Gas spring	2
20	95541	Gas spring ball joint	2
21	95540	Gas spring fastener	2
22	95496	Splitting groove rubber plate	1
23	37596	Rubber fastening plate	1
24	37595	Rubber fastening plate	2
25	50028451	Reducer left	1
26	50028452	Reducer right	1
27	50027330	Tool box	1
28	50027331	Box fastener	2

1.7 Relay cover



No.	Part number	Name	Pcs
1	95866	Relay cover	1
2	95421	Pin limit switch	1
3	95536	Induction sensor M18 PNP opening	2
4	37579	Relay cover and limit switch plate	1
5	37659	Pin switch cover	1
6	37553	Safety switch fastener	1
7	95532	Relay socket	2
8	95534	Relay socket G2R2	2
9	95531	Relay 10A 12VDC	2
10	95533	Relay 5A 12VDC	2
11	95726	Diode	1

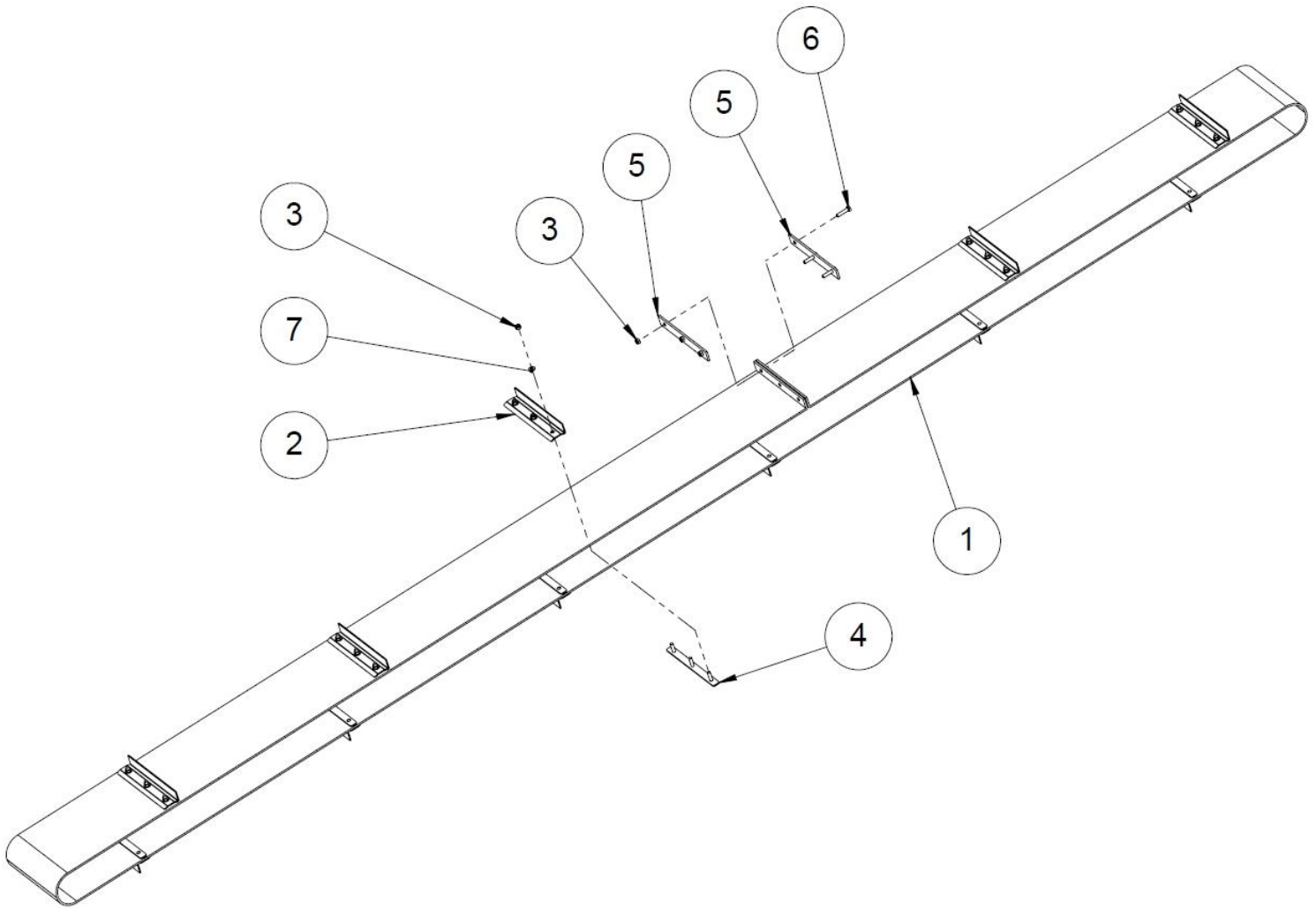
1.8 Upper section of the out-feed conveyor



No.	Item	Name	Pcs
1	10832	Upper section frame	1
2	10132	Upper roller of the conveyor	1
3	37414	Protective plate	1
4	37411	Link rod	1
5	50028549	Debris separator	1
6	37412	Lip plate	1
7	10864	Debris separator rubber	1
8	10136	Connection plate for the belt	1
9	96222	Locking nut DIN 985 M8	5
10	96068	Locking nut DIN 985 M10	2
11	96218	Locking nut DIN 985 M12	2
12	96187	Locking screw DIN 603 M8x20	5
13	96312	Locking screw DIN 603 M10x50	2
14	96061	Washer DIN 125 A8	2

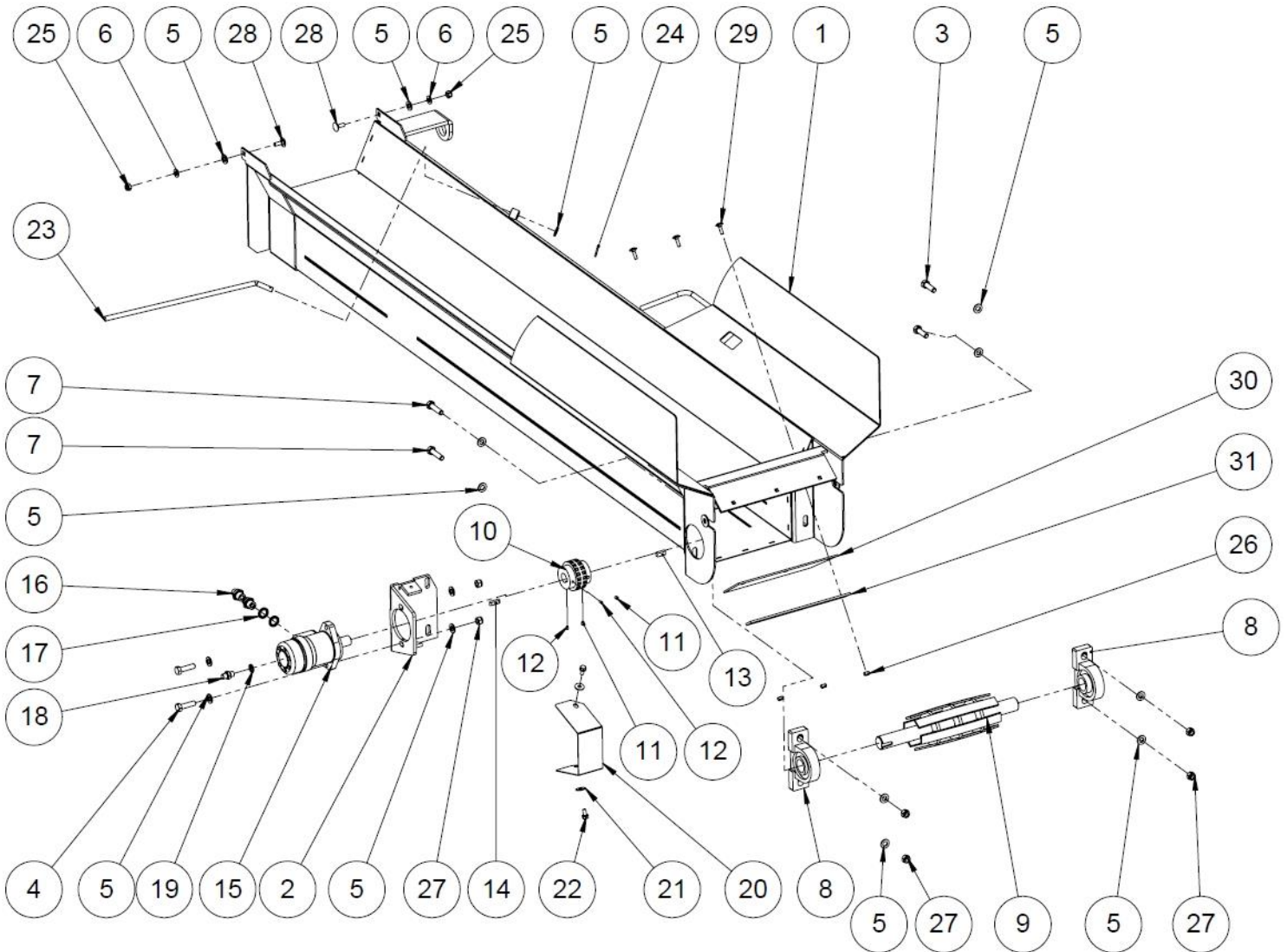
15	96058	Washer DIN 125 A12	17
16	96049	Washer DIN 125 A10	8
17	10858	Protective plate for the roller	1
18	95390	Draw spring 2x20x100	2
19	95543	Pressure spring 4x22x100	2
20	96338	Eye bolt DIN 444 M10x90	2
21	96355	Hex screw DIN 933 M12x280	2
22	96200	Hex nut DIN 934 M12	12
23	96199	Hex nut DIN 934 M10	4
24	96244	Split pin DIN 94 2.5x20	2
25	96144	Hex screw DIN 933 M12x20	2
26	96242	Ring pin 8 mm	1
27	96042	Retaining ring DIN 471 25	2
28	10132b	Shaft	1
29	95050	Bearing 6205	2
30	50000211	Upper roller	1

1.9 Out-feed conveyor belt



No.	Item	Name	Pcs
1	95126	Conveyor belt	1
2	10135	Cleat	11
3	96222	Locking nut DIN 985 M8	36
4	10863	Plate fastening	11
5	10136	Connection plate for the belt	2
6	96166	Hex screw DIN 933 M8x35	3
7	96061	Washer DIN 125 A8	33

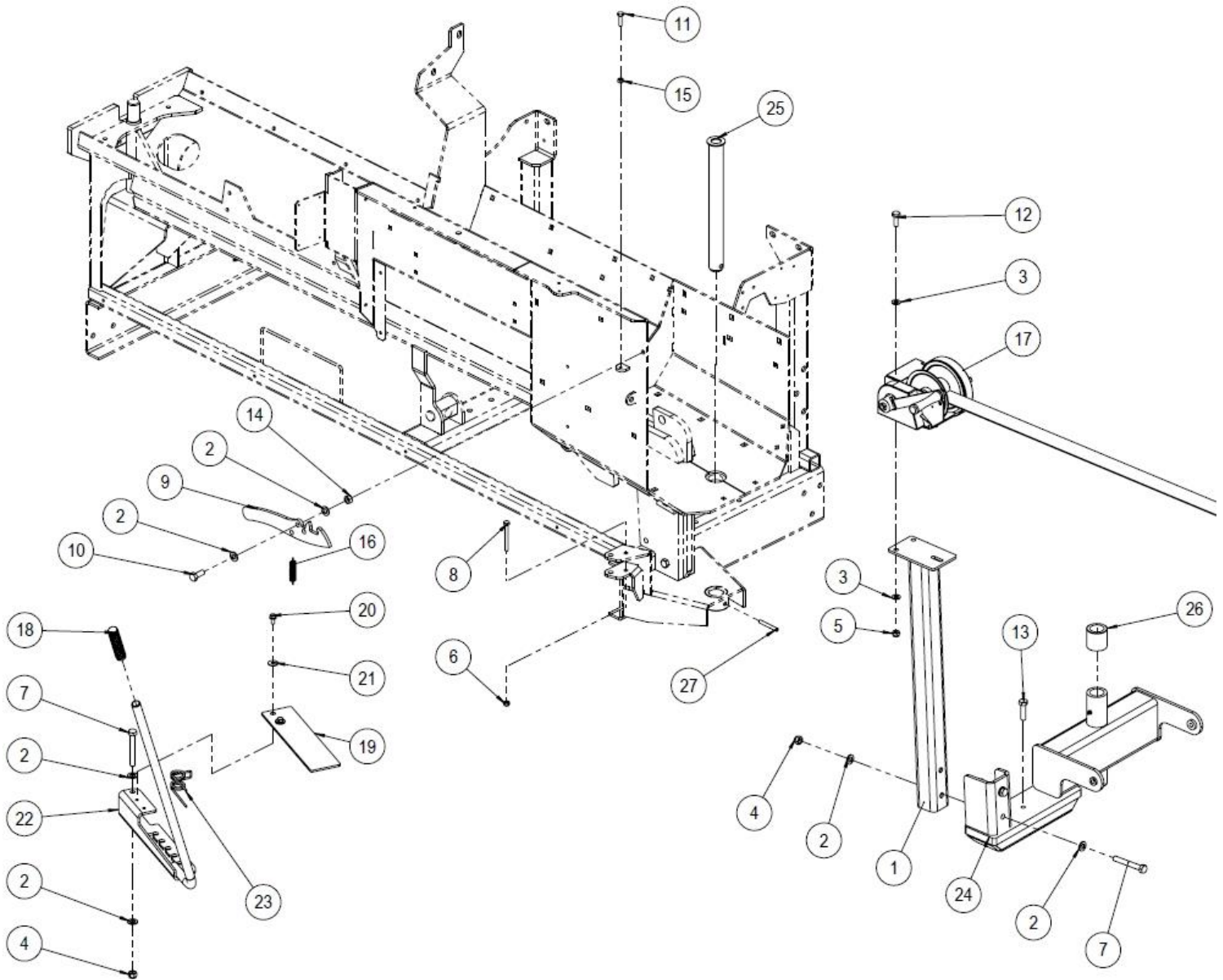
1.10 Lower section of the out-feed conveyor



No.	Part number	Name	Pcs
1	10833	Lower frame of the conveyor	1
2	50015466	Motor fastening plate	1
3	96148	Hex screw DIN M12x40	2
4	96149	Hex screw DIN M12x45	2
5	96058	Washer DIN A12	15
6	96049	Washer DIN A10	2
7	96108	Hex screw DIN M12x50	2
8	95058	Bearing unit	2
9	50015676	Drive roller	1
10	95448	Chain coupling	1
11	96228	Socket set screw M8x8	2
12	96362	Socket set screw M6x8	2
13	47642	Wedge	1
14	97371	Wedge	1
15	97308	Hydraulic motor OMP-50	1

16	97203	Double nipple, straight 3/8" x 1/2"	2
17	97213	USIT 1/2"	2
18	97200	Double nipple, straight 1/4" x 1/4"	1
19	97211	USIT 1/4"	1
20	47654	Guard	1
21	96085	Washer M8	2
22	96172	Flange bolt M8x16	2
23	10819	Conveyor belt holder	1
24	96246	Split pin 3.2x32	1
25	96068	Locking nut M10	2
26	96222	Locking nut M8	3
27	96218	Locking nut M12	6
28	96186	Locking screw M10x25	2
29	96191	Locking screw M8x25	3
30	95130	Conveyor rubber flap	1
31	61172	Conveyor rubber flap fastening rod	1

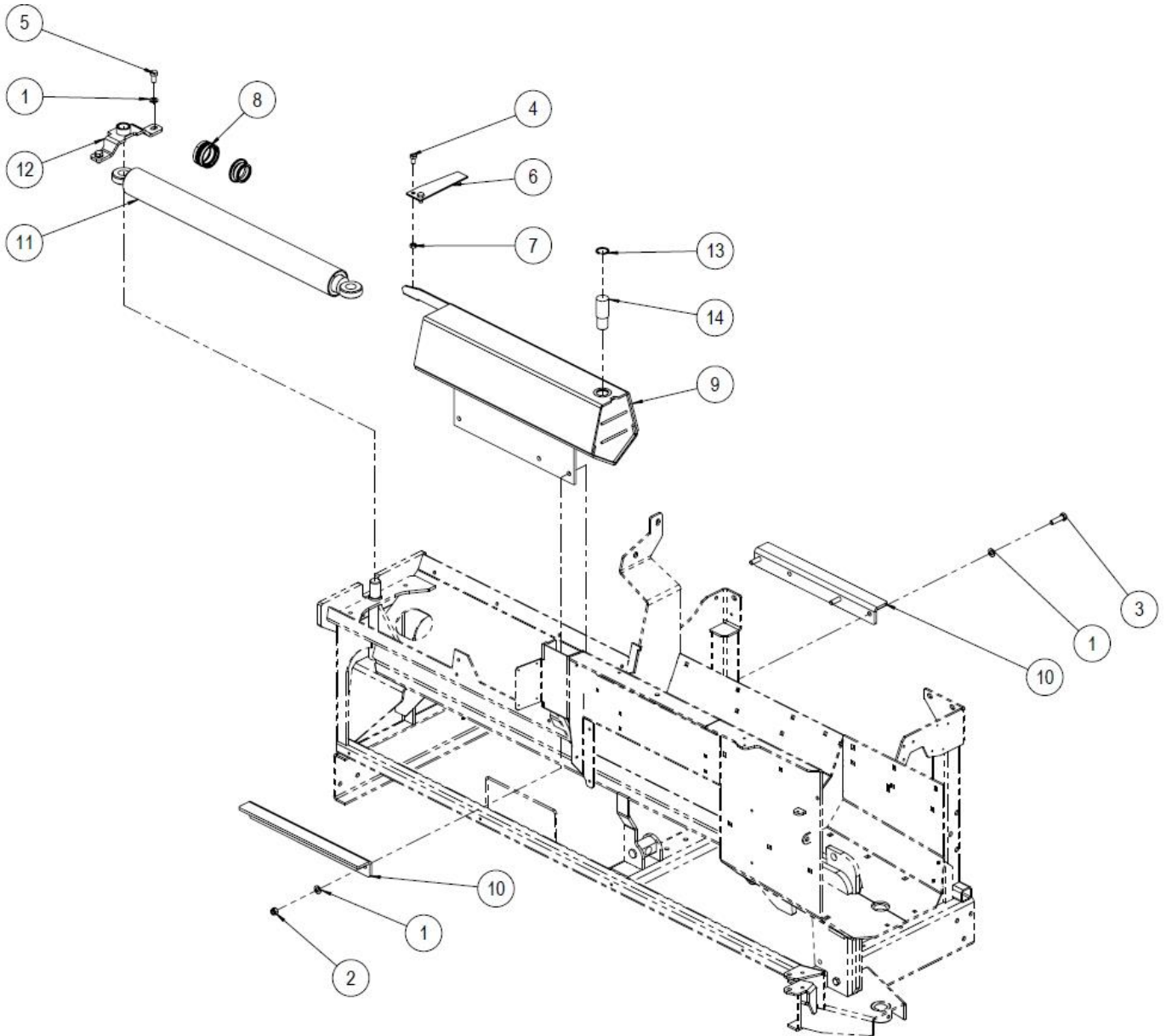
1.11 Out-feed conveyor swivel device



No.	Part number	Name	Pcs
1	10825	Winch fastening pipe	1
2	96058	Washer DIN 125 A12	8
3	96049	Washer DIN 125 A10	6
4	96218	Locking nut DIN 985 M12	3
5	96068	Locking nut DIN 985 M10	3
6	96222	Locking nut DIN 985 M8	1
7	96111	Hex screw DIN 931 M12x90	3
8	96128	Hex screw DIN 931 M8x75	1
9	47089	Conveyor locking latch	1
10	96146	Hex screw DIN 933 M12x30	1
11	96165	Hex screw DIN 933 M8x30	1
12	96133	Hex screw DIN 933 M10x30	3
13	96149	Hex screw DIN 933 M12x45	1

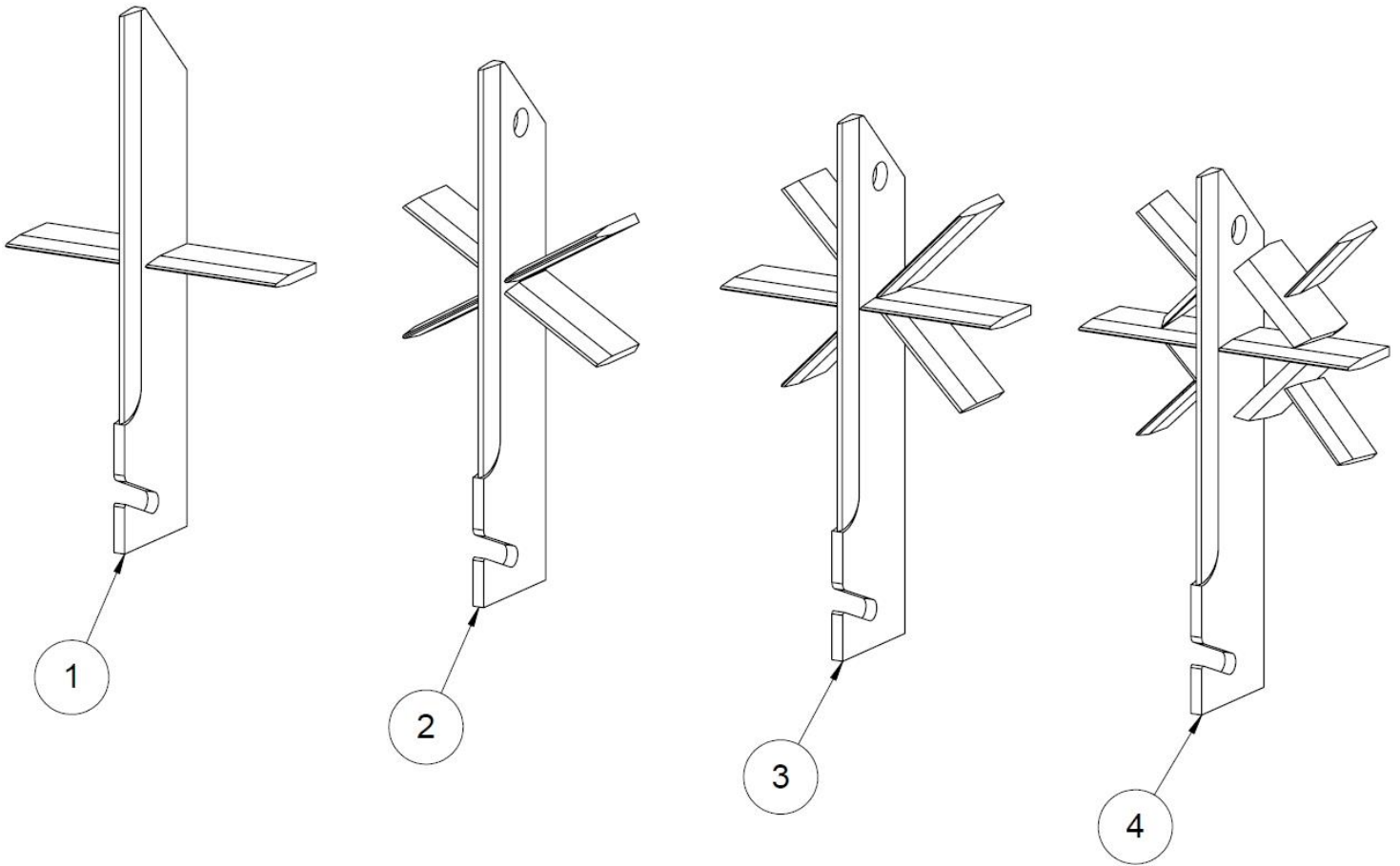
14	96200	Hex nut DIN 934 M12	1
15	96196	Hex nut DIN 934 M8	1
16	95423	Draw spring	1
17	37151	Out-feed conveyor winch	1
18	95034	Handle	1
19	50012933	Splinter guard	1
20	96172	Flange bolt M8x16	2
21	96085	Washer DIN 9021 M8	2
22	50028372	Conveyor swivel lock	1
23	95432	Double torsion spring	1
24	10600	Out-feed conveyor swivel device	1
25	37507	Swivel device fastening pin	1
26	37549	Bushing	1
27	96079	Spring pin DIN 1481 8x60	1

1.12 Splitting cylinder + pusher



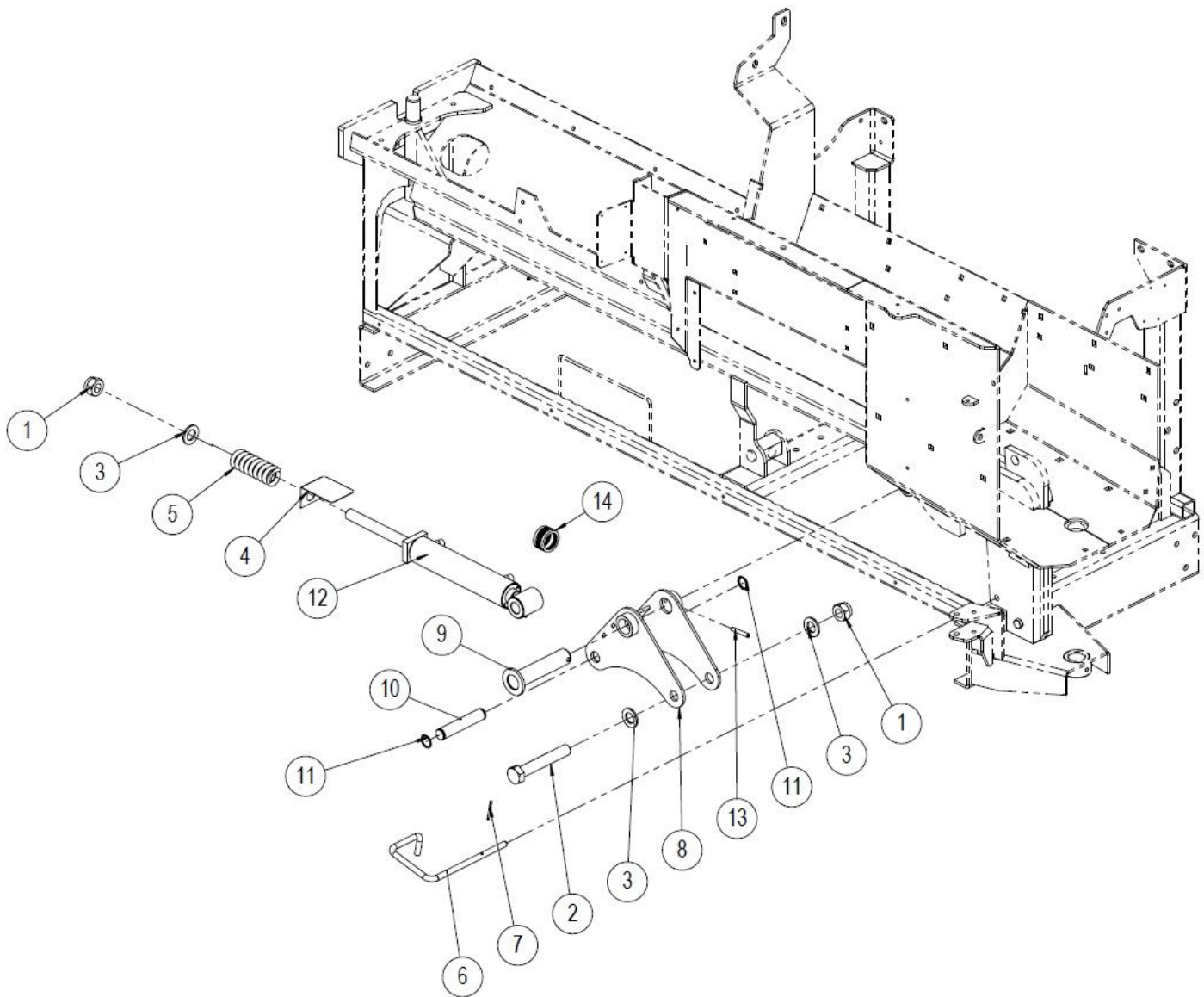
No.	Part number	Name	Pcs
1	96058	Washer DIN 125 A12	8
2	96218	Locking nut DIN 985 M12	3
3	96149	Hex screw DIN 933 M12x35	3
4	96138	Hex screw DIN 933 M10x20	2
5	96405	Hex screw DIN 933 M12x25	2
6	37347	Sensor detector	1
7	96199	Hex nut DIN 934 M10	2
8	97368	Seal kit for cylinder 37510	1
9	37344	Slide	1
10	37007a	Slide fastening plate	2
11	37510	Cylinder	1
12	50030748	Cylinder upper mount	1
13	96240	Retaining ring DIN 472 35	1
14	37013b	Pin 96	1

1.13 Splitting blades



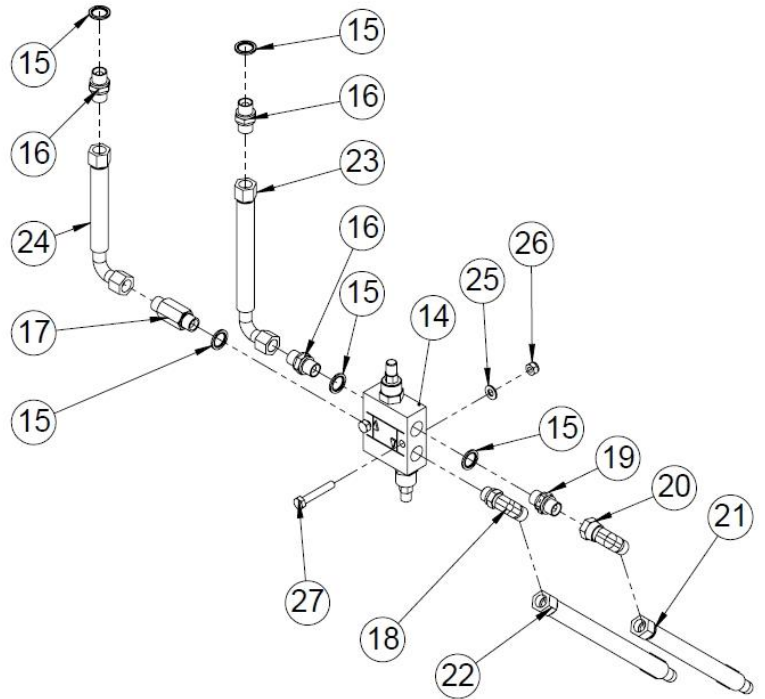
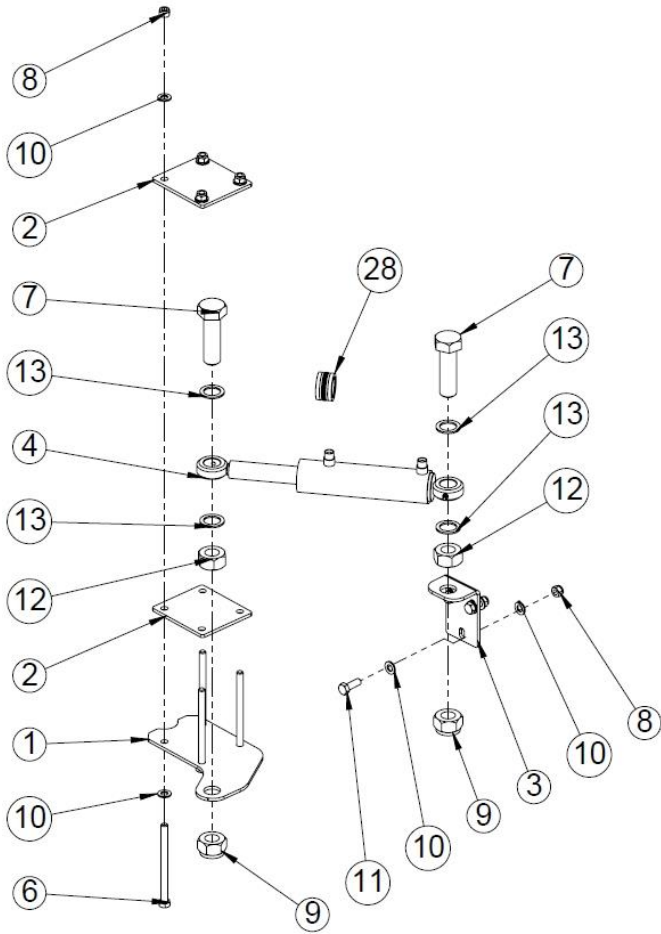
No.	Part number	Name
1	37166	4-way splitting blade
2	37671	6-way splitting blade
3	37672	8-way splitting blade
4	50030987	12-way splitting blade, for soft wood

1.14 Splitting blade adjuster



No.	Part number	Name	Pcs
1	96214	Locking nut DIN 985 M24	2
2	96343	Hex screw DIN 931 M24x150	1
3	96054	Washer DIN 125 A4	3
4	50001017	Cylinder sawdust guard	1
5	95026	Pressure spring D26-9-120	1
6	50028318	Locking pin	1
7	96248	Split pin DIN 94 4x40	1
8	37160	Splitting blade adjuster	1
9	61274	Pin	1
10	47052	Splitting blade adjustment pin	1
11	96042	Retaining ring DIN 471 25	2
12	60915	Cylinder	1
13	96078	Spring pin DIN 1481 8x50	1
14	97294	Seal kit for 60915 cylinder	1

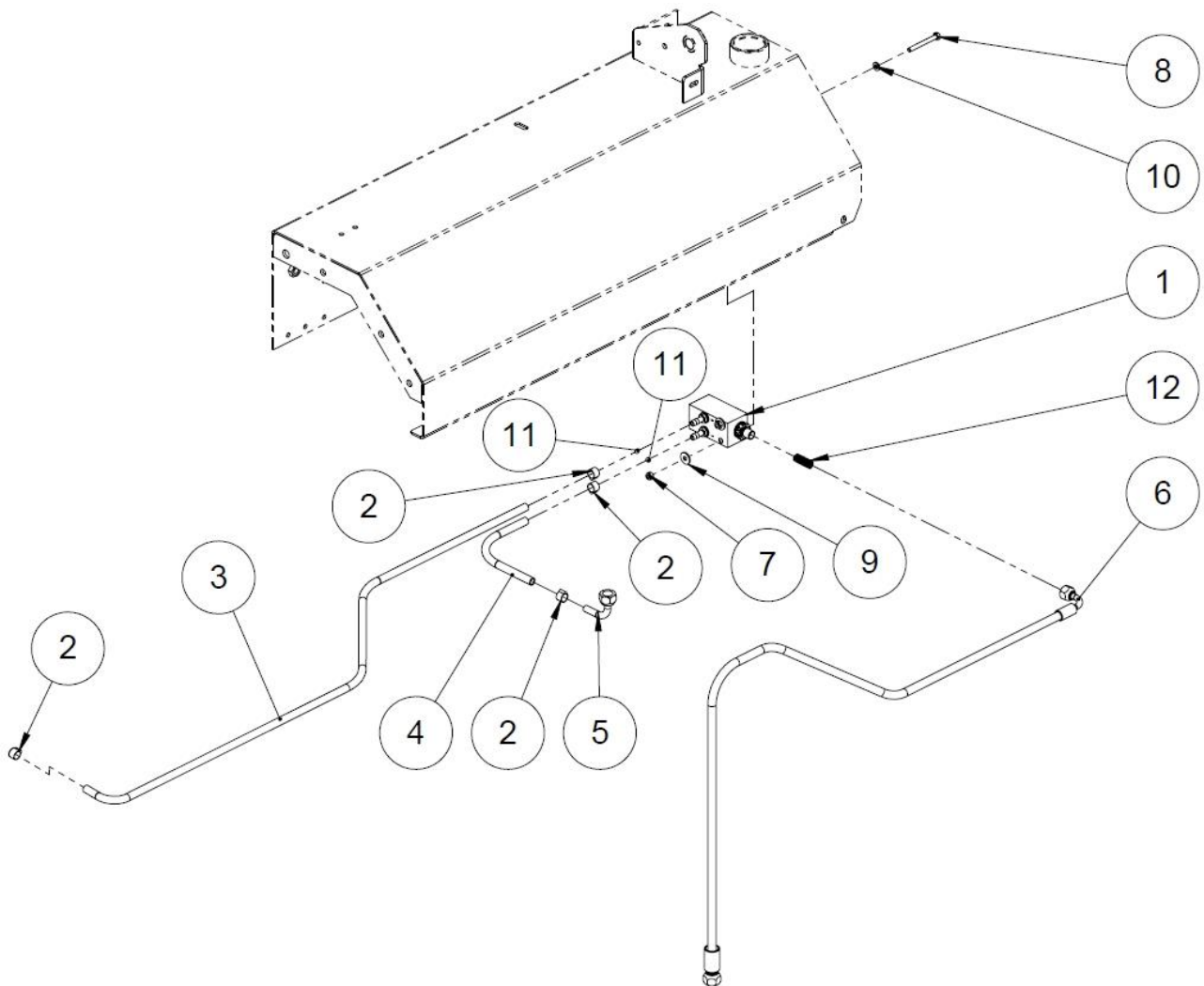
1.15 Conveyor turning device (50034528)



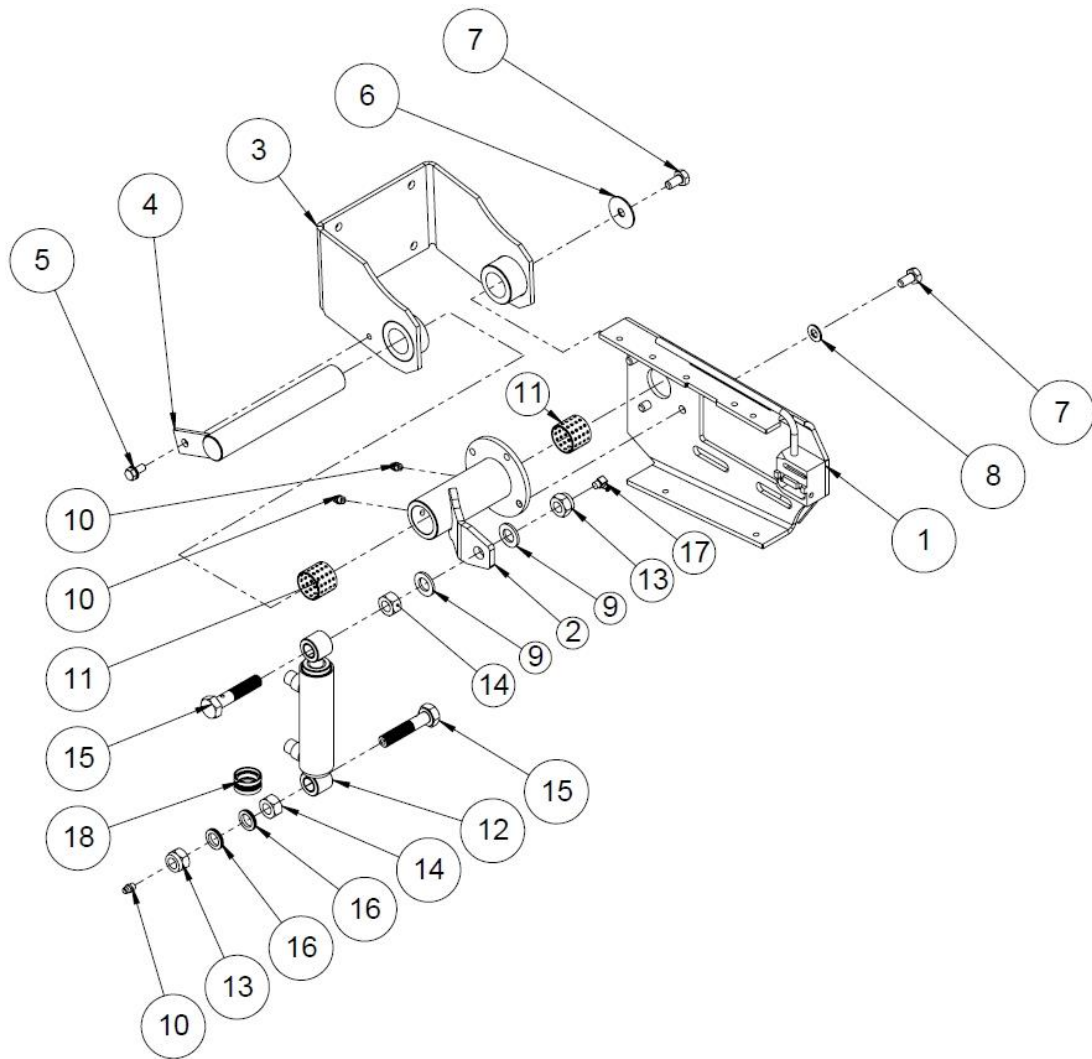
No.	Part number	Name	Pcs
1	50006242	Lower plate	1
2	50006243	Upper plate	2
3	50006255	Fastening lug	1
4	11160	Cylinder	1
5	96276	Lubrication nipple M8X1	1
6	96379	Hex screw DIN 931 M12x160	4
7	96377	Hex screw DIN 931 M30x100	2
8	96218	Locking nut DIN 985 M12	7
9	96378	Locking nut DIN 985 M30	2
10	96058	Washer DIN 125 A12	14
11	96147	Hex screw DIN 933 M12x35	3
12	96330	Hex nut DIN 934 M30	2
13	50006559	Washer	4
14	97904	Double pressure relief valve 3/8"	1

15	97212	USIT 3/8"	5
16	97202	Double nipple 3/8" x 3/8"	3
17	3046	Long double nipple 3/8"	1
18	97250	Directional corner nipple 3/8"	1
19	97276	Choke nipple 3/8" uk x 3/8" uk 1 mm	1
20	97240	Corner nipple 90° 3/8" uk x 3/8" sk	1
21	97034	Hydraulic hose 2,000 x 3/8"	1
22	97095	Hydraulic hose 2,200 x 3/8"	1
23	97023	Hydraulic hose 300 x 3/8"	1
24	97028	Hydraulic hose 360 x 3/8"	1
25	96061	Washer DIN 125 A8	2
26	96222	Locking nut DIN 985 M8	2
27	96124	Hex screw DIN 931 Mx50	2
28	97294	Seal kit for cylinder 11160	1

1.16 Saw chain lubrication pump

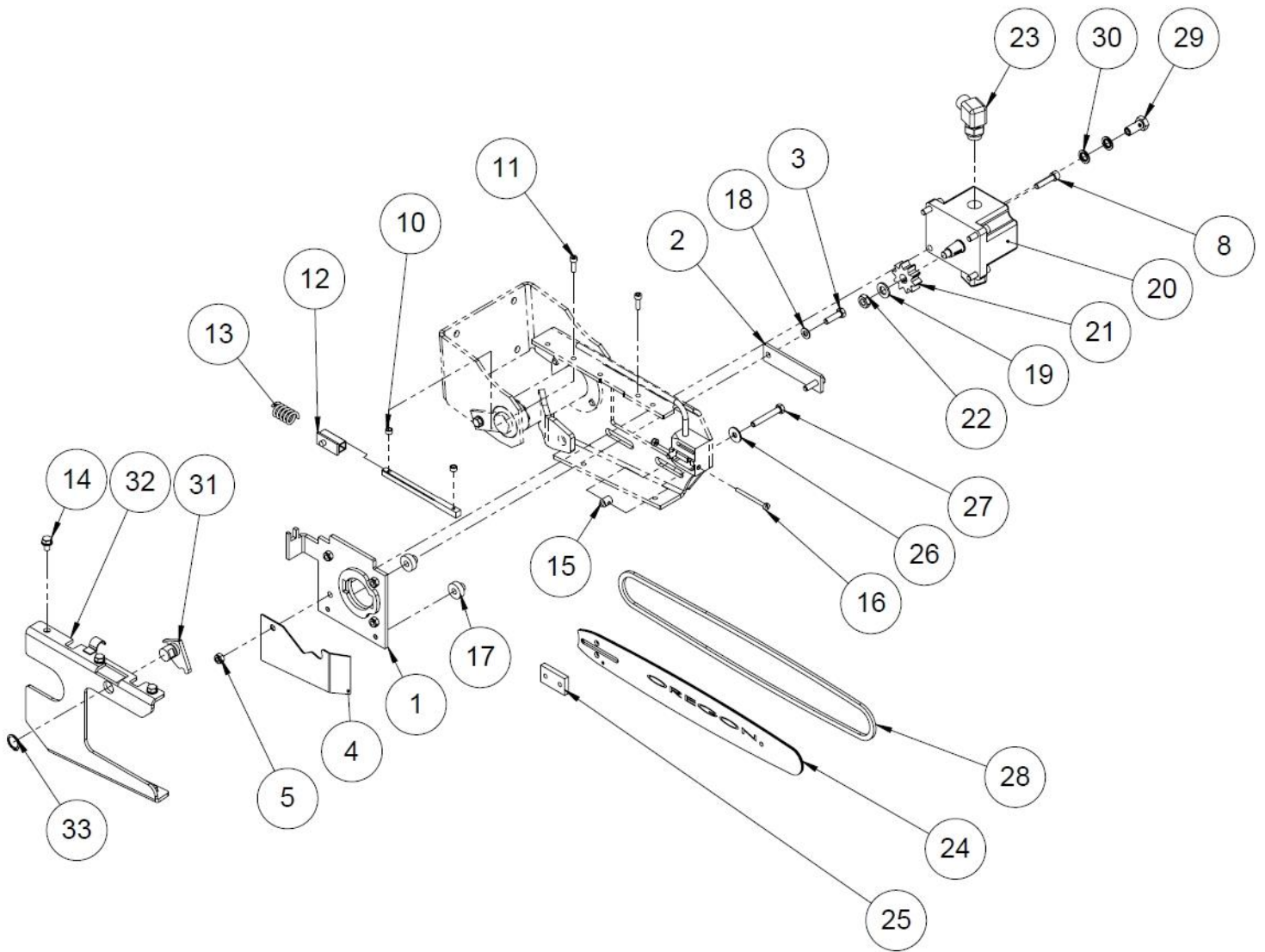


No.	Part number	Name	Pcs
1	97848	Lubrication pump	1
2	96174	Hose tie 10	4
3	95606	ToppFlex PUR hose, 8/11 L=1,200	1
4	95606	ToppFlex PUR hose, 8/11 L=220	1
5	97640	Hose spindle 3/8"	1
6	97639	Hydraulic hose 1,100 x 1/4"	1
7	96221	Locking nut DIN 985 M6	2
8	96120	Hex screw DIN 931 M6x55	2
9	96084	Washer DIN 9021 M6	2
10	96060	Washer DIN 125 A6	2
11	95695	Ball 6 mm	2
12	95694	Pressure spring 1.5x11.5x30 mm	1

1.17 Saw fastener (50031313)

No.	Part number	Name	Pcs
1	50019616	Drive end plate	1
2	37288	Cylinder mount	1
3	37296	Fastening plate	1
4	47244	Shaft	1
5	96172	Flange bolt M8x16	1
6	96356	Washer M10	1
7	96138	Hex screw DIN 933 M10x20	5
8	96049	Washer DIN 125 A10	4
9	96059	Washer DIN 125 A16	2
10	96276	Lubrication nipple M8x1	3
11	95276	Slide bearing	2
12	10242	Cylinder, saw head	1
13	96219	Locking nut DIN 985 M16	2
14	96195	Hex nut DIN 934 M16	2
15	37550	Hex screw M16	2
16	96412	Lock washer M16, Nordlock	2
17	96275	Lubrication nipple M8x1 90 GR	1
18	97293	Seal kit for cylinder 10242	1

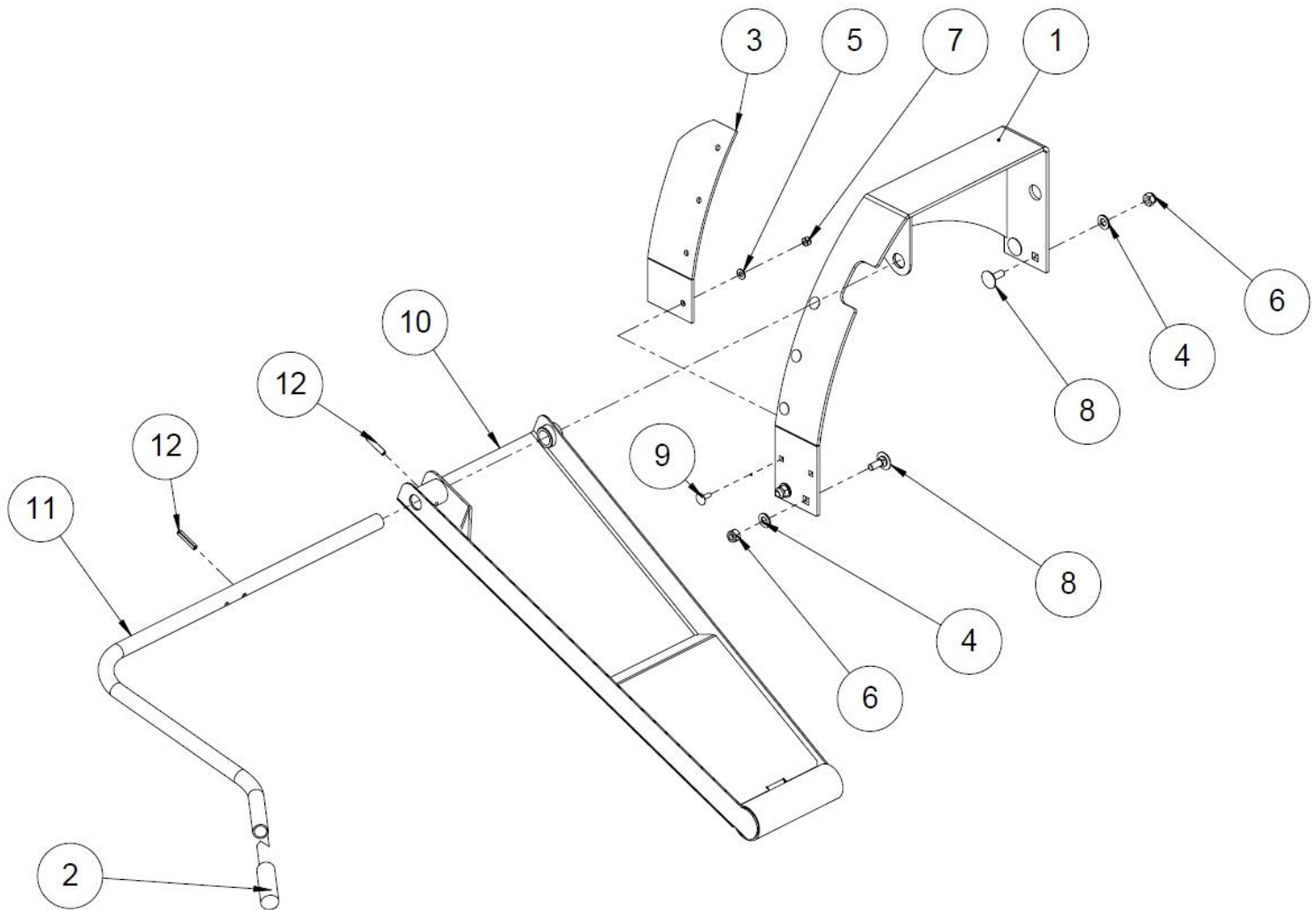
1.18 Cutting saw (50031306)



No.	Part number	Name	Pcs
1	50019618	Motor fastening plate	1
2	50019724	Locking plate	1
3	96132	Hex screw DIN 933 M8x25	2
4	50022083	Sawdust guide	1
5	96222	Locking nut DIN 985 M8	4
6	96221	Locking nut DIN 985 M6	1
7	96341	Hexagon socket head cap screw DIN 912 M8x30	3
8	96036	Hexagon socket head cap screw DIN 912 M8x35	1
9	50019628	Sliding rod	1
10	50021228	Intermediate bushing	2
11	96018	Hexagon socket head cap screw DIN 912 M6x20	2
12	50021226	Slide	1
13	95008	Pressure spring 3.5x22x38	1
14	96427	Flange bolt 8.8 ZN M8x12	5
15	10046	Bar tightening pin	1
16	96266	Slotted head screw DIN 84 M6x60	1

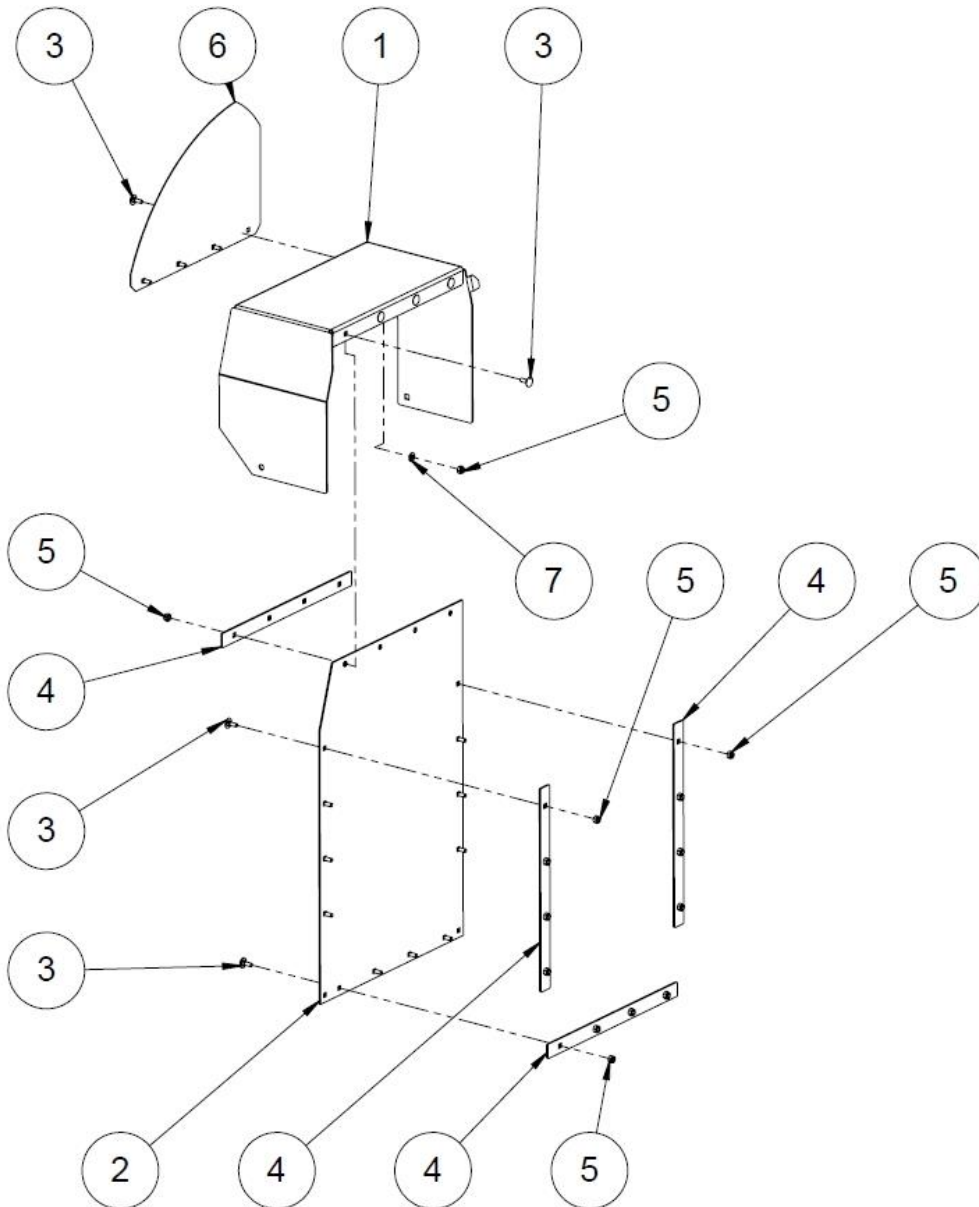
17	50031830	Intermediate bushing	2
18	96061	Washer DIN 125 A8	2
19	96058	Washer DIN 125 A12	1
20	97572	Saw motor, 38 Pro	1
21	37336	Drive wheel 325-10	1
22	96206	Hex nut DIN 936 M12	1
23	97247	Directional corner nipple 1/2"	2
24	95147	Saw bar, 16 inches	1
25	10044	Fastening rod for the saw bar	1
26	96085	Washer DIN 9021 M8	2
27	96307	Hex screw DIN 933 M8x55	2
28	95668	Saw chain 68vl 0.325" 1.5 mm	1
29	97480	Banjo bolt 1/4"	1
30	97211	USIT 1/4"	2
31	50019649	Lock	1
32	50026260	Fastening plate	1
33	96040	Retaining ring DIN 471 20	1

1.19 Log clamp (50031122)



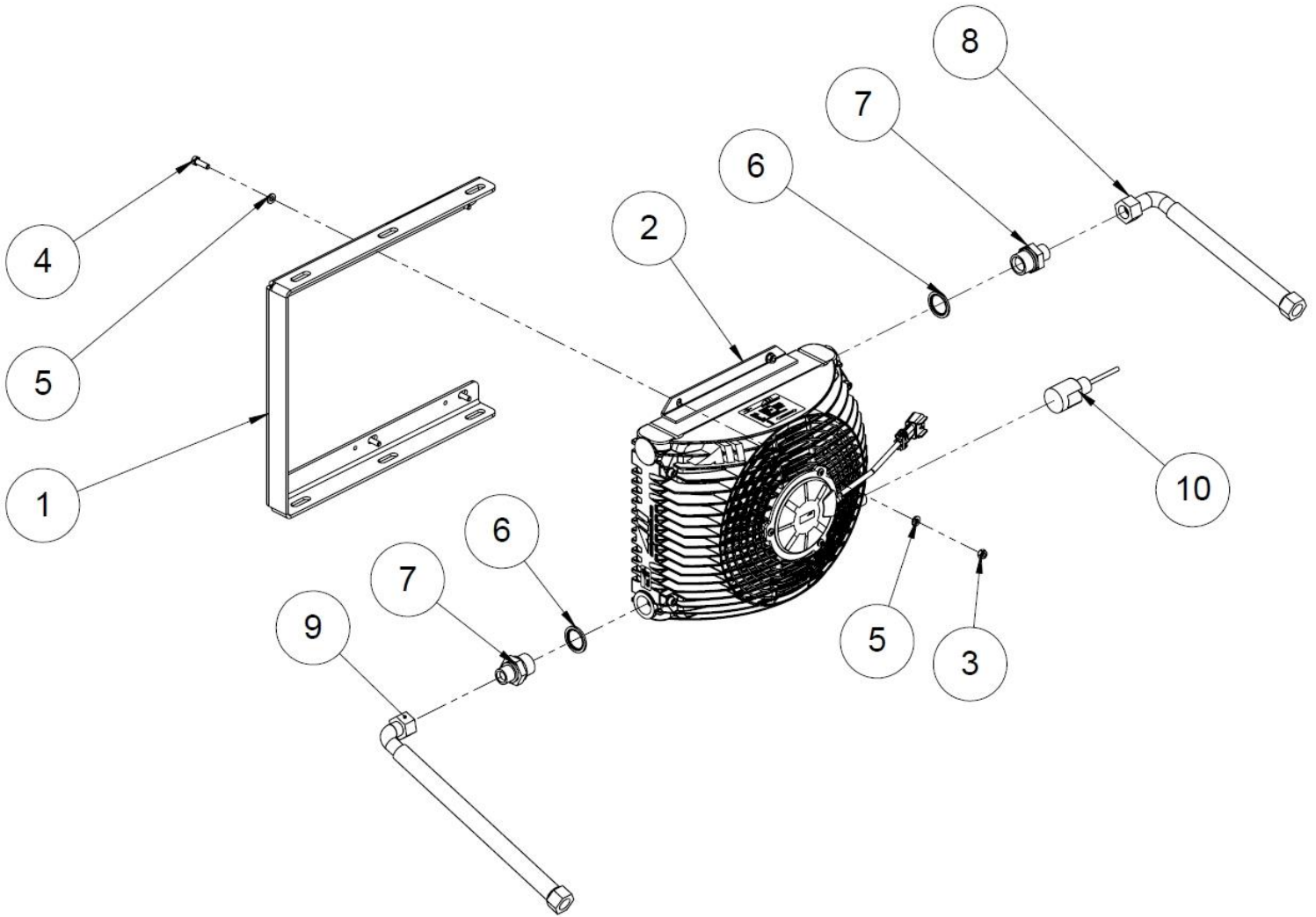
No.	Part number	Name	Pcs
1	50031116	Log clamp fastener	1
2	95595	Handle	1
3	37572	Front edge rubber cover	1
4	96058	Washer DIN 125 A12	4
5	96061	Washer DIN 125 A8	4
6	96218	Locking nut DIN 985 M12	4
7	96222	Locking nut DIN 985 M8	4
8	96188	Lock screw DIN 603 M12x30	4
9	96187	Lock screw DIN 603 M8x30	4
10	37492	Log clamp	1
11	37499	Log clamp handle	1
12	96077	Spring pin DIN 1481 8x40	2

1.20 Splitting blade guard (50031101)



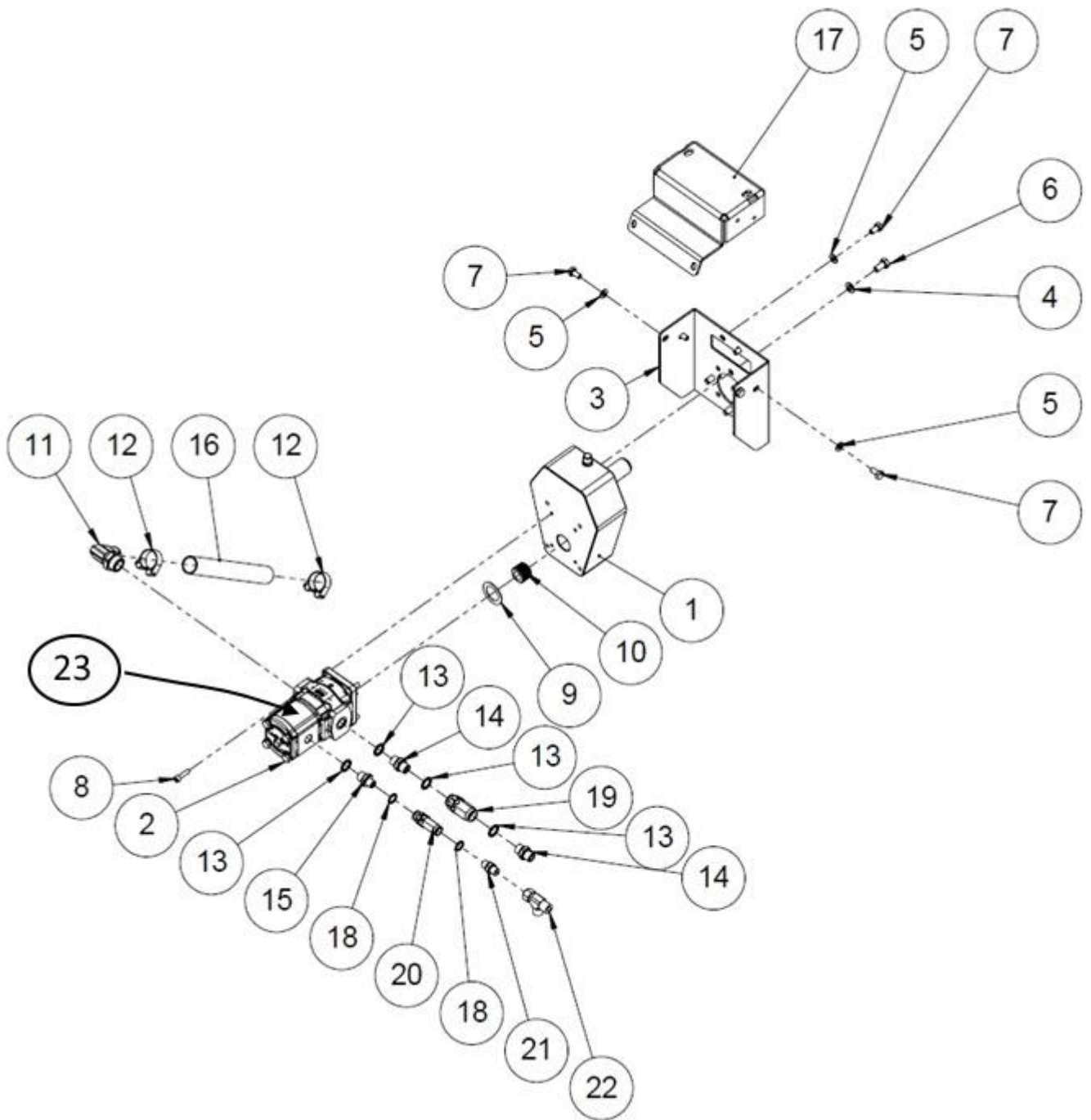
No.	Part number	Name	Pcs
1	37609	Protective mat fastening strip	4
2	96187	Locking screw DIN 603 M8x20	20
3	50031102	Protective plate	1
4	37614	Upper splitting guard	1
5	96061	Washer DIN 125 A8	4
6	37608	Protective mat	1
7	96222	Locking nut DIN 985 M8	20

1.21 Oil cooler (50030480)



No.	Part number	Name	Pcs
1	50030479	Cooler bracket	1
2	97885	Oil cooler	1
3	96221	Locking nut DIN 985 M6	4
4	96135	Hex screw DIN 933 M6x20	4
5	96060	Washer DIN 125 A6	8
6	97214	USIT 3/4"	2
7	97205	Double nipple 1/2" x 3/4"	2
8	97184	Hydraulic hose 2,000 x 1/2"	1
9	97108	Hydraulic hose 650 x 1/2"	1
10	97908	Thermostat	1

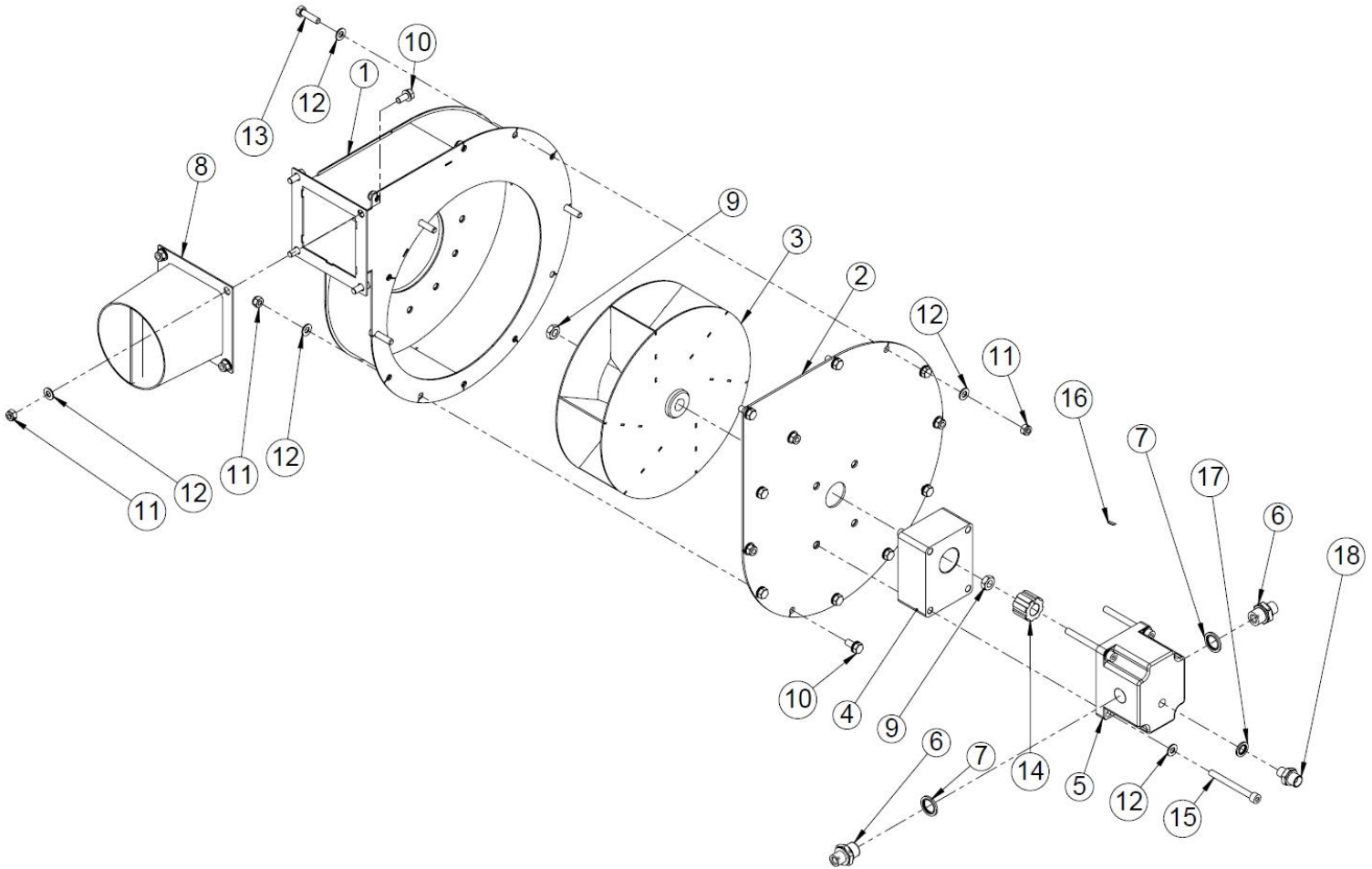
1.22 Gear + hydraulic pump (50030329)



No.	Part number	Name	Pcs
1	95652	Speed increaser gearbox	1
2	97846	Hydraulic pump, 38 Pro	1
3	50010155	Gear mounting	1
4	96058	Washer DIN 125 A12	4
5	96049	Washer DIN 125 A10	6
6	96405	Hex screw DIN 933 M12x45	4
7	96138	Hex screw DIN 933 M10x20	6
8	96341	Hexagon socket head cap screw DIN 912 M8x30	4
9	50008329	Shim	1
10	95608	Boron bushing	1
11	97849	Suction connector 1"/32mm	1

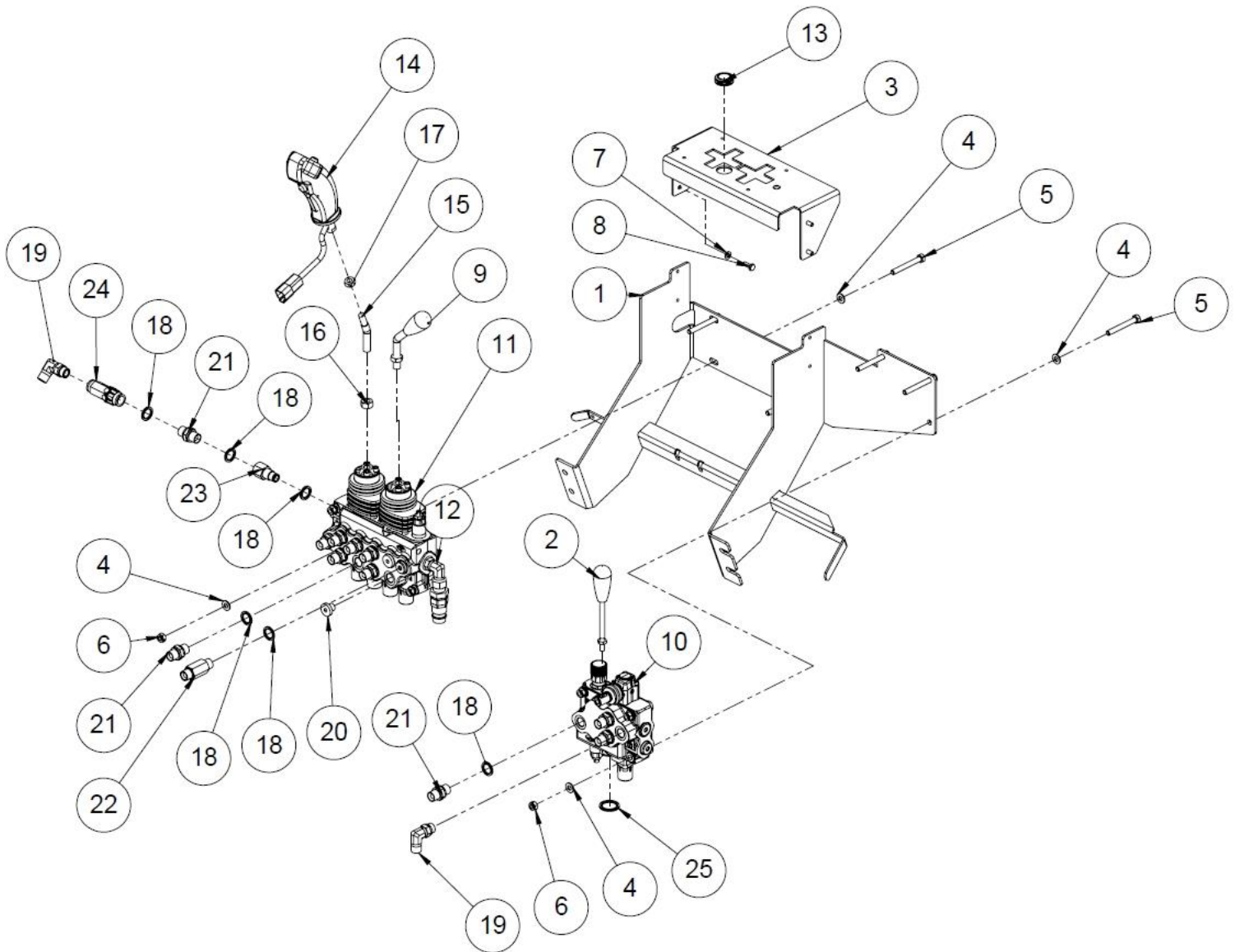
12	97850	Steel hose clamp 40-32	2
13	97213	USIT 1/2"	4
14	97204	Double nipple 1/2" x 1/2"	2
15	97203	Double nipple 3/8" x 1/2"	1
16	97604	Suction hose L=890 mm	1
17	50028330	Gear frame mounting	1
18	97212	USIT 3/8"	2
19	97252	Check valve 1/2" 0.5 bar	1
20	97251	Check valve 3/8" 0.5 bar	1
21	97202	Double nipple 3/8" x 3/8"	1
22	97234	Adjustable L-connector 3/8"	1
23	97750	Seal kit for pump 97846	1

1.23 Sawdust blower (50030264)



No.	Part number	Name	Pcs
1	50029707	Frame	1
2	50029719	Rotor fastening plate	1
3	67015	Rotor	1
4	97560	Support bearing	1
5	97572	Motor	1
6	97203	Double nipple 3/8" x 1/2"	2
7	97213	USIT 1/2"	2
8	67029	Hose connector	1
9	96206	Hex nut DIN 936 M12	2
10	96172	Flange bolt M8x16	11
11	96222	Locking nut DIN 936 M8	13
12	96061	Washer DIN 125 A8	19
13	96165	Hex screw DIN 933 M8x30	2
14	97561	Inner clutch	1
15	96444	Hexagon socket head cap screw DIN 912 M8x80	4
16	97583	Wedge	1
17	97211	USIT 1/4"	1
18	97201	Double nipple 1/4" x 3/8"	1

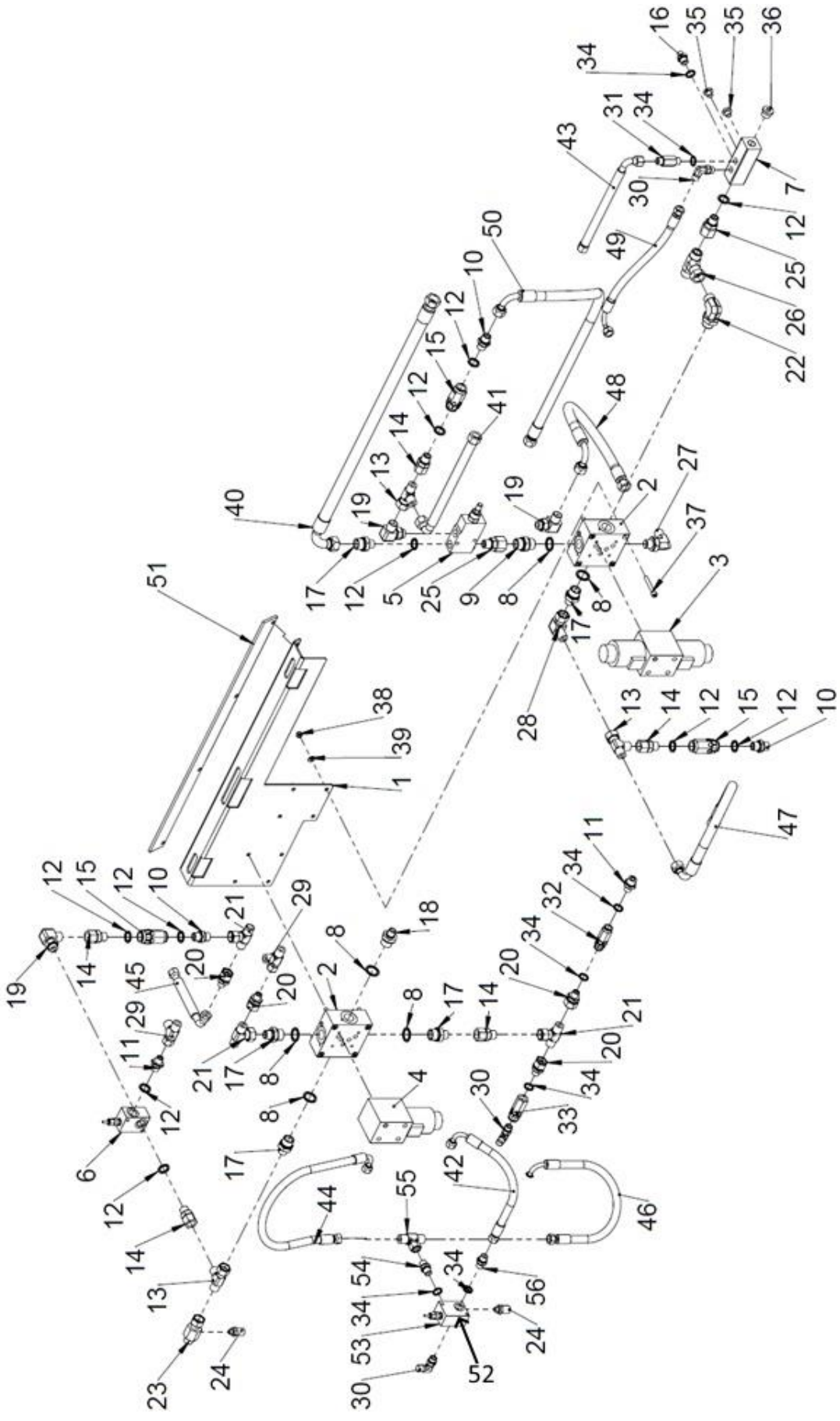
1.24 Regulating valve mount (50028381)



No.	Part number	Name	Pcs
1	50028379	Regulating valve mount	1
2	97423	Lever M8 120	1
3	50028382	Gate	1
4	96061	Washer DIN 125 A8	12
5	96127	Hex screw DIN 931 M8x65	6
6	96222	Locking nut DIN 985 M8	6
7	96060	Washer DIN 125 A6	4
8	96157	Hex screw DIN 931 M6x16	4
9	10753	Valve operating lever	1
10	97879	Out-feed conveyor valve/adjustable	1
11	97408	Hydraulic valve 4-spool	1
12	37650	Quick coupling pack	1

13	95196	lead-in rubber grommet 25/19	1
14	97897	Control handle 43	1
15	50029950	Fastener	1
16	96200	Hex nut DIN 934 M12	1
17	96199	Hex nut DIN 934 M10	1
18	97212	USIT 3/8"	14
19	97250	Directional corner nipple 3/8"	2
20	97260	Plug 3/8" uk	2
21	97202	Double nipple 3/8" x 3/8"	11
22	03046	Long double nipple 3/8"	1
23	97880	Series connection fitting 3/8"	1
24	97251	Check valve 3/8" 0.5 bar	1
25	97913	USIT-M22 Flat Seal	1

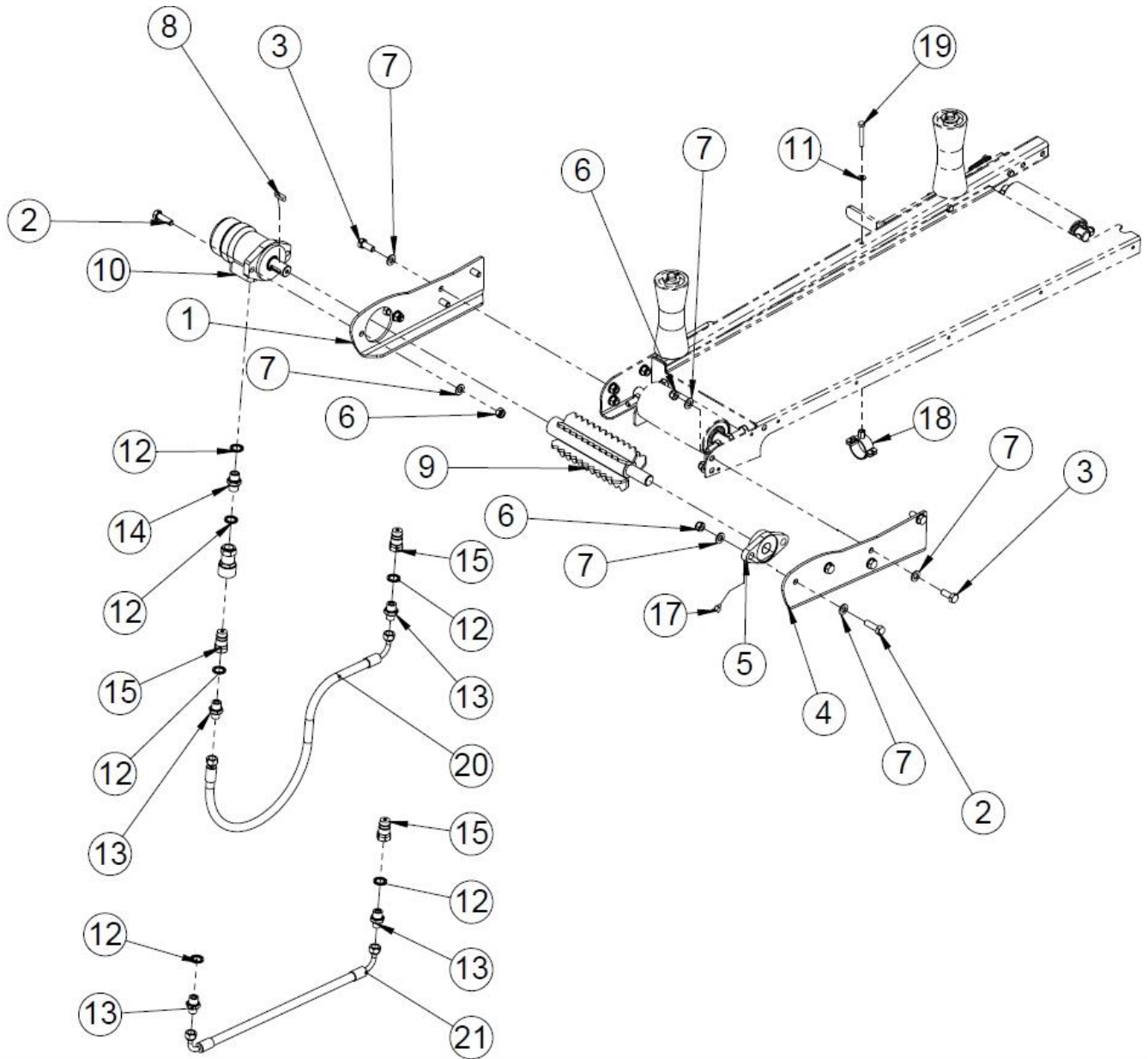
1.25 Exploded view of the splitting and saw valves (50028350)



1.26 Parts list of the splitting and saw valves (50028350)

No.	Part number	Name	Pcs
1	50028348	Valve mount	1
2	97843	Base plate NG 10	2
3	97745	Splitting valve, Cetop 5	1
4	97630	Saw valve, Cetop 5	1
5	97591	Load control valve 1/2"	1
6	97414	Pressure relief valve 1/2"	1
7	50027314	Manifold	1
8	97214	USIT 3/4"	6
9	97207	Double nipple 3/4" x 3/4"	1
10	97204	Double nipple 1/2" x 1/2"	3
11	97203	Double nipple 3/8" x 1/2"	2
12	97213	USIT 1/2"	11
13	97228	Adjustable L-connector 1/2"	3
14	97216	Connecting nipple 1/2" uk x 1/2" sk	5
15	97252	Check valve 1/2" 0.5 bar	3
16	97201	Double nipple 1/4" x 3/8"	1
17	97205	Double nipple 1/2" x 3/4"	5
18	97206	Double nipple 3/8" x 3/4"	1
19	97247	Directional corner nipple 1/2"	3
20	97218	Connecting nipple 3/8" uk x 1/2" sk	4
21	97229	Adjustable T-connector 1/2"	3
22	97721	Directional corner nipple 3/4" 90	1
23	97390	Connecting nipple 1/2"	1
24	97378	Pressure measurement fitting 1/4"	2
25	97221	Connecting nipple 1/2" uk x 3/4" sk	2
26	97231	Adjustable T-connector 3/4"	1
27	97631	Directional corner nipple 3/4" x 1/2"	1
28	97241	Corner nipple 90° 1/2" uk x 1/2" sk	1
29	97234	Adjustable L-connector 3/8"	2
30	97250	Directional corner nipple 3/8"	3
31	03046	Long double nipple 3/8"	1
32	97617	Check valve 3/8" 10 bar	1
33	97618	Check valve 3/8" 2 bar	1
34	97212	USIT 3/8"	7
35	97260	Plug 3/8" uk	2
36	97261	Plug 1/2" uk	1
37	96308	Hex screw DIN 912 M8x55	8
38	96222	Locking nut DIN 985 M8	8
39	96061	Washer DIN 125 A8	8
40	97031	Hydraulic hose 800 x 3/4"	1
41	97108	Hydraulic hose 650 x 1/2"	1
42	97044	Hydraulic hose 450 x 3/8"	1
43	97045	Hydraulic hose 1,600 x 3/8"	1
44	50035704	Hydraulic hose 400 x 3/8"	1
45	97131	Hydraulic hose 1,200 x 3/8"	1
46	97180	Hydraulic hose 500 x 3/8"	1
47	97155	Hydraulic hose 450 x 1/2"	1
48	97155	Hydraulic hose 450 x 1/2"	1
49	97044	Hydraulic hose 450 x 3/8"	1
50	97119	Hydraulic hose 900 x 1/2"	1
51	37343	Plastic plate	1
52	97634	Relief valve 3/8" 5–50 bar	1
53	97202	Double nipple 3/8" x 3/8"	1
54	97230	Adjustable T-connector 3/8"	1
55	97593	Choke nipple 3/8" uk x 3/8" uk 1.3 mm	1

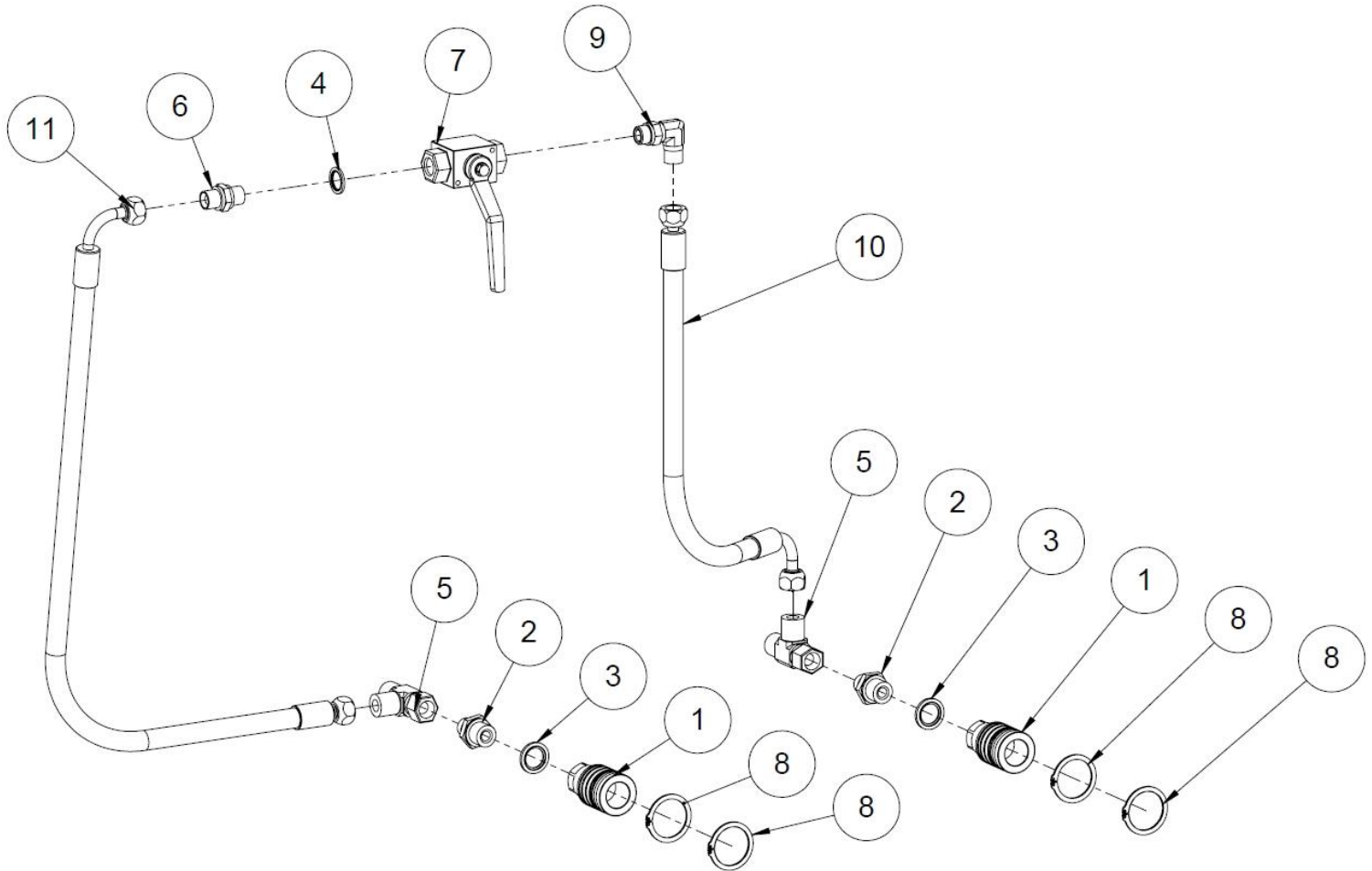
1.27 In-feed conveyor auxiliary roller (38583)



No.	Part number	Name	Pcs
1	50004006	Auxiliary roller mount left	1
2	96148	Hex screw DIN 933 M12x40	4
3	96146	Hex screw DIN 933 M12x30	6
4	50004007	Auxiliary roller mount right	1
5	95057	Collar step bearing unit UCFL 205	1
6	96218	Locking nut DIN 985 M12	10
7	96058	Washer DIN 125 A12	18
8	97371	Wedge	1
9	50004097	Auxiliary roller	1
10	97307	Hydraulic motor EPM 160	1

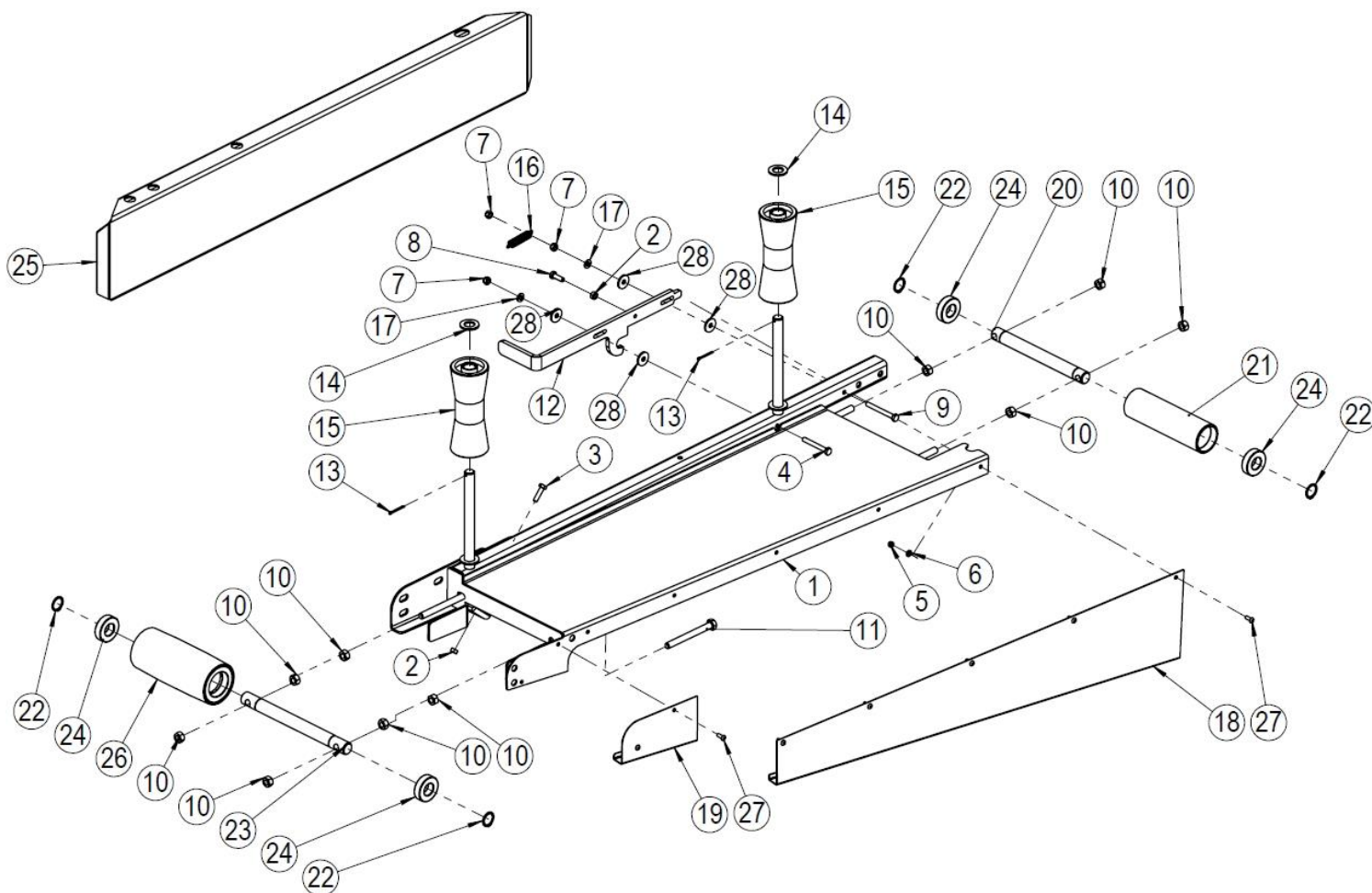
11	96061	Washer DIN 125 A8	1
12	97213	USIT 1/2"	6
13	97203	Double nipple 3/8" x 1/2"	4
14	97204	Double nipple 1/2" x 1/2"	1
15	97209	Quick coupler male 1/2"	3
16	97210	Quick coupler female 1/2"	1
17	96272	Lubrication nipple M6X1 45 GR	1
18	96383	Pipe clamp 39-44 mm	1
19	96125	Hex screw DIN 931 M8x55	1
20	97095	Hydraulic hose 2,200 x 3/8"	1
21	97090	Hydraulic hose 1,900 x 3/8"	1

1.28 In-feed conveyor quick couplers (37646)



No.	Part number	Name	Pcs
1	97388	Quick coupler female 1/2" automatic	2
2	97203	Double nipple 3/8" x 1/2"	2
3	97213	USIT 1/2"	2
4	97212	USIT 3/8"	1
5	97234	Adjustable L-connector 3/8"	2
6	97202	Double nipple 3/8" x 3/8"	1
7	50000298	Ball valve 3/8"	1
8	96371	Retaining ring DIN 471 38	4
9	97250	Directional corner nipple 3/8"	1
10	97180	Hydraulic hose 500 x 3/8"	1
11	97025	Hydraulic hose 1,000 x 3/8"	1

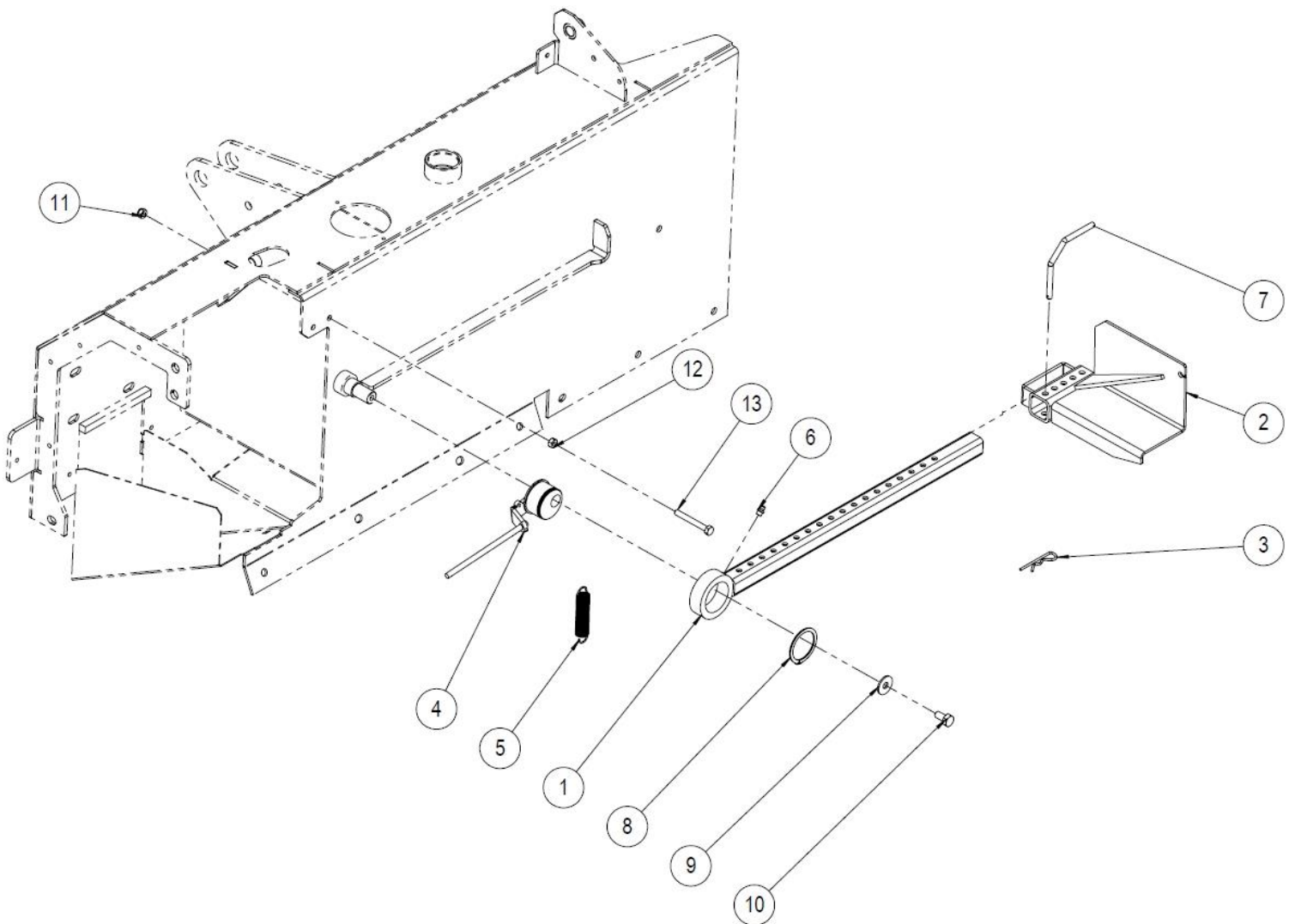
1.29 In-feed conveyor extension (37631)



No.	Part number	Name	Pcs
1	37476	In-feed table extension	1
2	96196	Hex nut DIN 934 M8	2
3	96165	Hex screw DIN 933 M8x30	1
4	96127	Hex screw DIN 931 M8x65	1
5	96221	Locking nut DIN 985 M6	7
6	96060	Washer DIN 125 A6	7
7	96222	Locking nut DIN 985 M8	3
8	96164	Hex screw DIN 933 M8x25	1
9	96128	Hex screw DIN 931 M8x75	1
10	96200	Hex nut DIN 934 M12	10
11	96142	Hex screw DIN 933 M12x100	2
12	37535	Lock	1
13	96246	Split pin DIN 94 3.2x32	2

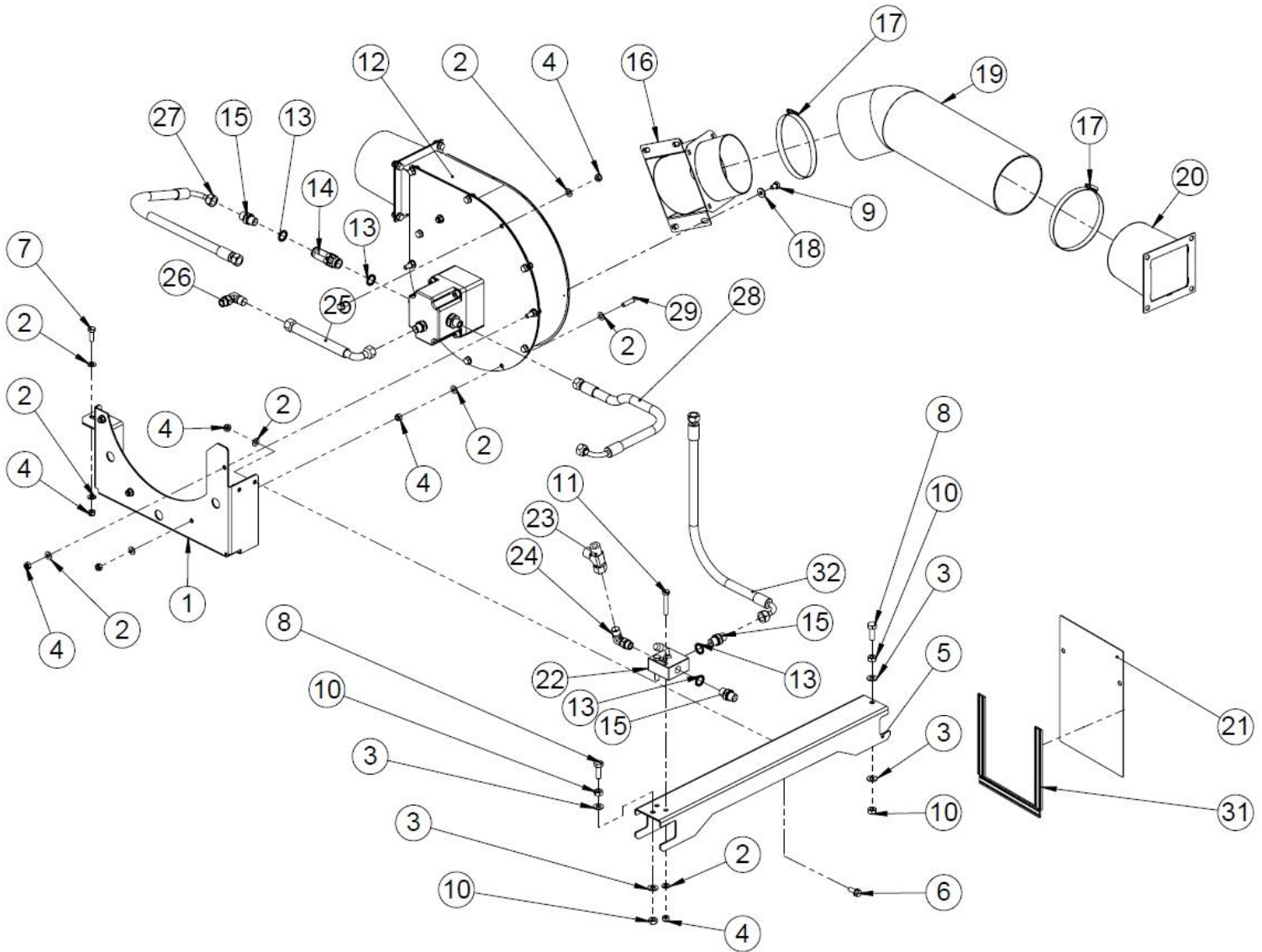
14	96053	Washer DIN 125 A20	2
15	95001	Keel roller	2
16	95423	Draw spring	1
17	96061	Washer DIN 125 A8	2
18	37584	Widening extension for the table extension	1
19	50025941	End cladding	1
20	10160b	Tensioning roller shaft	1
21	37527	Carryover roller pipe	1
22	96042	Retaining ring DIN 471 25	4
23	37529	Tensioning roller shaft	1
24	95050	Bearing 6205 2 rs	4
25	35205	Log guide plate	1
26	37509	Tensioning roller	1
27	96004	Hex socket screw ISO 7380 M6x16	7
28	96082	Washer DIN 440 M8	4

1.30 Log measuring device (37561)



No.	Part number	Name	Pcs
1	10196	Limiter pipe	1
2	10063	Log length limiter	1
3	96208	Hitch pin	1
4	37562	Eccentric flange	1
5	95390	Draw spring 2x20x100	1
6	96276	Lubrication nipple M8X1	1
7	10065	Locking pin	1
8	96046	Retaining ring DIN 471 50	1
9	96064	Washer DIN 9021 M10	1
10	96138	Hex screw DIN 933 M10x20	1
11	96222	Locking nut DIN 985 M8	1
12	96196	Hex nut DIN 934 M8	1
13	96127	Hex screw DIN 931 M8x65	1

1.31 Hydraulic sawdust blower, complete (67083)



No.	Part number	Name	Pcs
1	67081	Blower bracket 38 machine	1
2	96061	Washer DIN 125 A8	16
3	96049	Washer DIN 125 A10	4
4	96222	Locking nut DIN 985 M8	13
5	67082	Blower fastener 38	1
6	96173	Flange bolt M8x20	2
7	96164	Hex screw DIN 933 M8x25	1
8	96133	Hex screw DIN 933 M10x30	2
9	96160	Hex screw DIN 933M8x12	4
10	96199	Hex nut DIN 934 M10	4
11	96124	Hex screw DIN 931 M8x50	2
12	50030264	Saw-dust blower	1
13	97212	USIT 3/8"	4
14	97251	Check valve 3/8" 0.5 bar	1
15	97202	Double nipple 3/8" x 3/8"	3

16	50029724	Connection pipe	1
17	96348	Hose clamp ABA 101-138	2
18	96287	Sesco washer M8	4
19	268	Sawdust hose, suction HP38	1
20	50000217	Hose connector 38	1
21	50000170	Dust opening cover	1
22	97533	3-way valve 3/8"	1
23	97234	Adjustable L-connector 3/8"	1
24	97250	Directional corner nipple 3/8"	1
25	97044	Hydraulic hose 450 x 3/8"	1
26	97250	Directional corner nipple 3/8"	1
27	97185	Hydraulic hose 550 x 3/8"	1
28	97044	Hydraulic hose 450 x 3/8"	1
29	96165	Hex screw DIN 933 M8x30	2
30	96172	Flange bolt M8x16	2
31	95460	Sealing tape 20x4 W-prof. 0.5 m	3
32	97195	Hydraulic hose 900 x 3/8"	1

